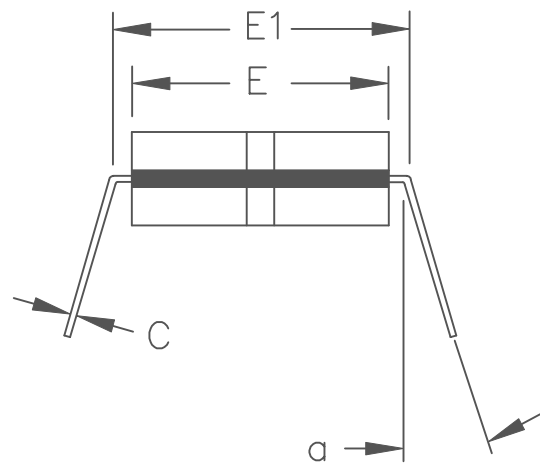
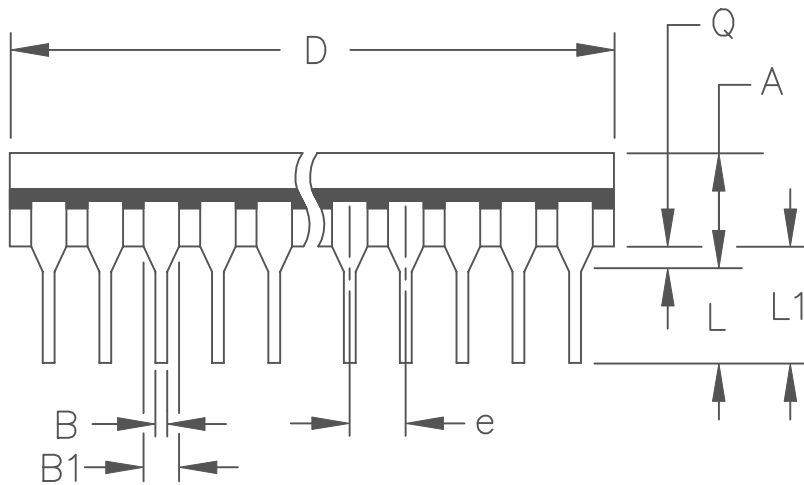
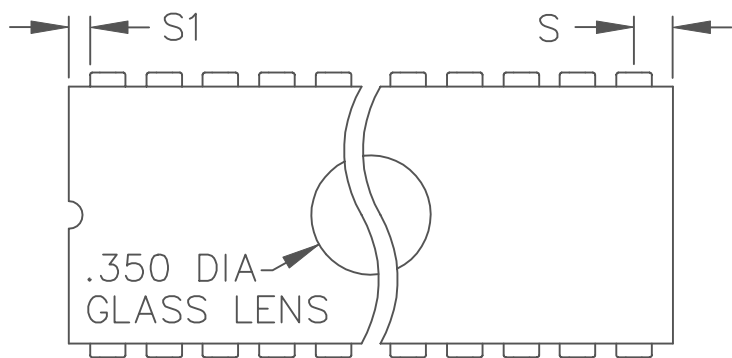


REVISIONS			
LTR	DESCRIPTION	DATE	APPROVED
A	NEW DRAWING		



LTR	MIN	MAX
A	—	.225
B	.014	.023
B1	.038	.065
C	.006	.015
D	—	2.096
E	.510	.620
E1	.590	.630
e	.100 BSC	
L	.125	.200
L1	.150	—
Q	.020	.060
S	—	.098
S1	.005	—
a	0°	15°

ALL DIMENSIONS SHOWN ARE IN INCHES.

SIGNATURE		DATE		
DOC. CONTROL:				
ENGR. MGR:				
MFG. ENGR:				
CHECKED BY:			TITLE	
DRAWN BY: M.W.C.		5/94	MARKETING OUTLINE, 40-PIN CERAMIC DUAL-IN-LINE PACKAGE WITH GLASS LENS	
SIZE	FSCM NO	PART NO.	REV	
A		56-G4008-001	A	
DO NOT SCALE DWG.		SCALE N/A	SHEET 1 OF 1	