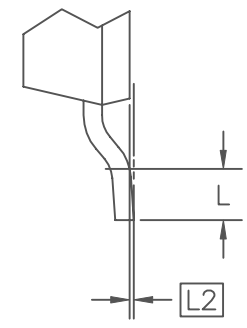
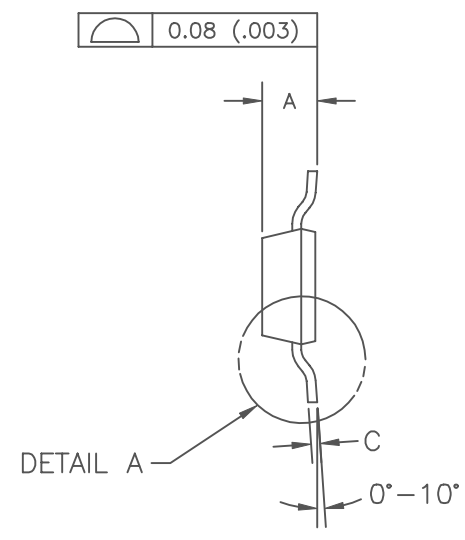
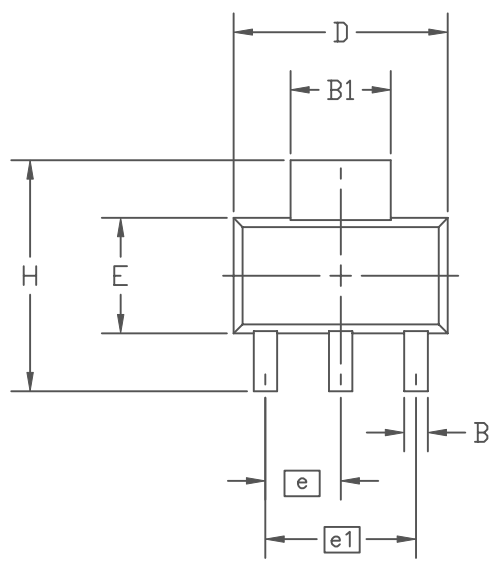


REVISIONS			
LTR	DESCRIPTION	DATE	APPROVED
A	NEW DRAWING		



DETAIL A

DIM	MIN	NOM	MAX
A IN. MM	- -	- -	.071 1.80
B IN. MM	.024 0.60	.029 0.74	.035 0.88
B1 IN. MM	.114 2.90	.120 3.04	.125 3.18
C IN. MM	.009 0.24	.012 0.30	.016 0.40
D IN. MM	.248 6.30	.256 6.50	.264 6.70
E IN. MM	.130 3.30	.138 3.50	.146 3.70
e IN. MM	.091 BSC 2.30 BSC		
e1 IN. MM	.181 BSC 4.60 BSC		
H IN. MM	.264 6.70	.276 7.00	.287 7.30
L IN. MM	.036 0.91	- -	- -
L2 IN. MM	.0024 BSC 0.06 BSC		

SIGNATURE	DATE
DOC. CONTROL:	
ENGR. MGR:	
MFG. ENGR:	
CHECKED BY:	
DRAWN BY: R. ERBACHER	1-30-96



TITLE			
MARKETING OUTLINE SOT-223 (TO-261)			
SIZE A	FSCM NO	PART NO. 56-G0005-001	REV A
DO NOT SCALE DWG.		SCALE N/A	SHEET 1 OF 1