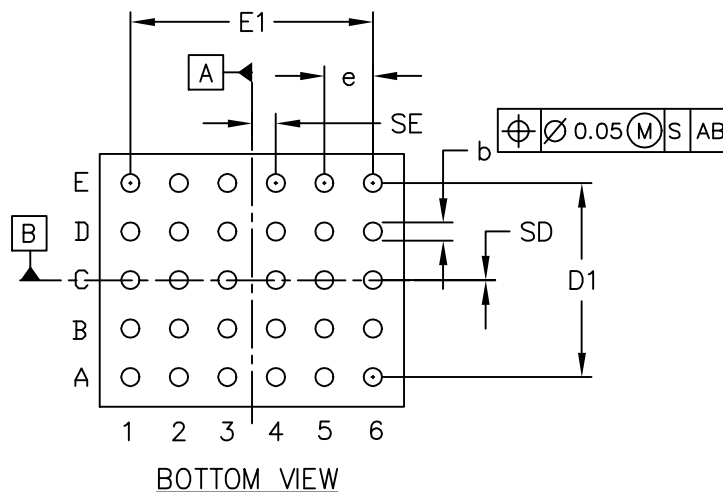


COMMON DIMENSIONS	
A	MAX 0.35
A1	0.12±0.01
A2	0.23 REF
b	∅0.15±0.02
D1	1.60
E1	2.00
e	0.40 BASIC
SD	0.00 BASIC
SE	0.20 BASIC



PKG. CODE	DIMENSION VARIATIONS				DEPOPULATED BUMPS
	E		D		
BDICE30-1	MIN	MAX	MIN	MAX	NONE
	2.41	2.51	1.98	2.08	

NOTES:

1. Terminal pitch is defined by terminal center to center value.
2. Outer dimension is defined by center lines between scribe lines.
3. All dimensions in millimeters.
4. Marking shown is for package orientation reference only.
5. Tolerance is ± 0.02mm unless specified otherwise.
6. All dimensions apply to Leaded (-) & PbFree (+) package codes.

-DRAWING NOT TO SCALE-

**MAXIM**

TITLE:  
PACKAGE OUTLINE, 30 BUMPS,  
BUMPED DIE, 0.4mm PITCH

APPROVAL

DOCUMENT CONTROL NO.

REV.

1

21-0433

A

1/1