



**DOCUMENT TITLE:
MARKETING OUTLINE, 6 LEAD TSOC (THIN SMALL OUTLINE C-LEAD)**

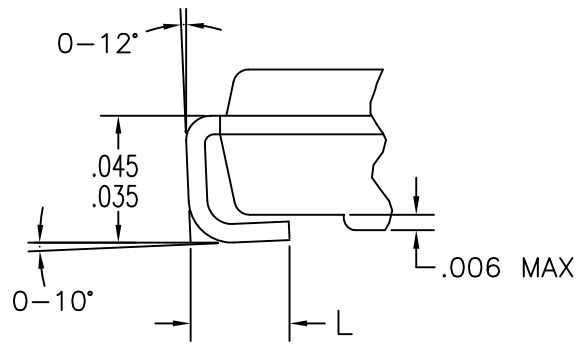
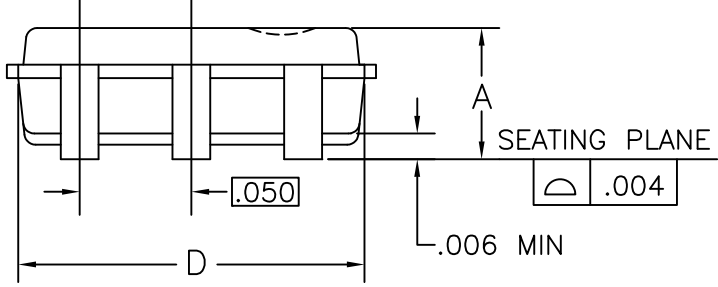
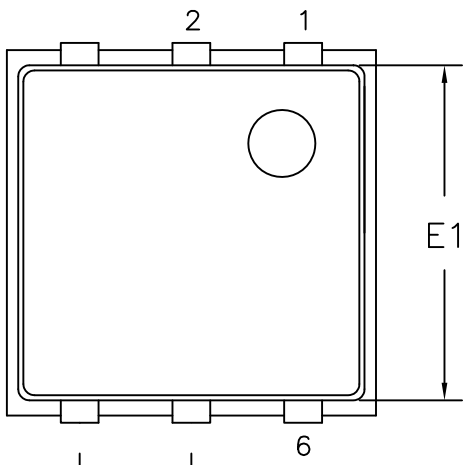
DOC ID # 21-0382 NEW REV: A

ECN#: HQ-08-5862 EFFECTIVE DATE: 06/27/08

ORIGINATOR: JEFF WALKER

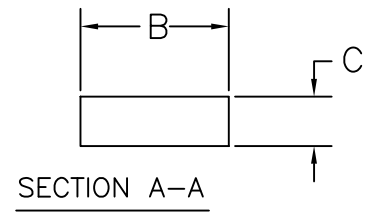
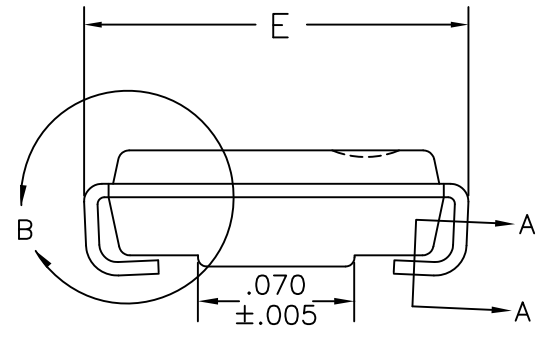
MOST RECENT CHANGES

| FROM | TO |
|---|---|
| DALLAS DOCUMENT CONTROL SYSTEM DOC ID# 56-G2016-001 LOGO-DALLAS/MAXIM | INITIAL RELEASE INTO MAXIM DOCUMENT CONTROL LOGO-MAXIM |



DETAIL "B"

| REVISIONS | | | |
|-----------|-------------|------|----------|
| LTR | DESCRIPTION | DATE | APPROVED |
| A | | | |



NOTES:

1. CONTROLLING DIMENSIONS: INCHES
2. DIMENSIONS D AND E1 ARE MEASURED AT THE PARTING LINE AND DO NOT INCLUDE FLASH AND PROTRUSIONS; FLASH AND PROTRUSIONS NOT TO EXCEED .008 PER SIDE ON DIM. D AND .011 PER SIDE ON DIM. E1.
3. EXCLUSIVE OF DAMBAR PROTRUSION AND INTRUSION; DAMBAR PROTRUSION AND INTRUSION NOT TO BE POSITIONED ON FOOT OR LOWER RADIUS OF LEAD.

| SYMBOL | DIMENSIONS INCHES | | | DIMENSIONS MILLIMETERS | | | NOTE |
|--------|-------------------|------|------|------------------------|-------|-------|------|
| | MIN. | NOM. | MAX. | MIN. | NOM. | MAX. | |
| A | .051 | .055 | .059 | 1.295 | 1.397 | 1.499 | |
| B | .016 | .017 | .019 | 0.406 | 0.432 | 0.483 | 3 |
| C | .005 | .006 | .008 | 0.127 | 0.152 | 0.203 | |
| D | .153 | .155 | .157 | 3.886 | 3.937 | 3.988 | 2 |
| E | .163 | .169 | .175 | 4.140 | 4.293 | 4.445 | |
| E1 | .144 | .150 | .152 | 3.658 | 3.810 | 3.861 | 2 |
| L | .025 | .032 | .039 | 0.635 | 0.813 | 0.991 | |

| | | | | | | |
|-------------------|--------------|-------|---|---------|----------|-----|
| SIGNATURE | | DATE |  <p>TITLE MARKETING OUTLINE, 6 LD. TSOC (THIN SMALL OUTLINE C-LEAD)</p> | | | |
| DOC. CONTROL: | | | | | | |
| ENGR. MGR: | B.W. MCCARTY | 10/94 | | | | |
| MFG. ENGR: | B.W. MCCARTY | 5/94 | | | | |
| CHECKED BY: | R. RADKE | 10/94 | | | | |
| DRAWN BY: | M.W.C. | 5/94 | SIZE | FSCM NO | PART NO. | REV |
| DO NOT SCALE DWG. | | | A | | 21-0382 | A |
| SCALE N/A | | | SHEET 1 OF 1 | | | |

REVISION HISTORY

| REV | CHANGES MADE | DATE | INIT. |
|-----|--|----------|-------|
| A | ECN# HQ-08-5862. INITIAL RELEASE INTO MAXIM DOCUMENT CONTROL. LOGO-MAXIM | 06/27/08 | JW |



TITLE: MARKETING OUTLINE, 6 LEAD TSOC (THIN SMALL OUTLINE C-LEAD)

DOCUMENT I.D.
21-0382

REVISION
A

PAGE 3