



**DOCUMENT TITLE:  
MARKETING OUTLINE DRAWING, 23MM X 23MM 484 BALLS BGA W/ HEAT  
SINK, 4 LAYER, 1.00MM PITCH**

**DOC ID # 21-0366                      NEW REV:    A**

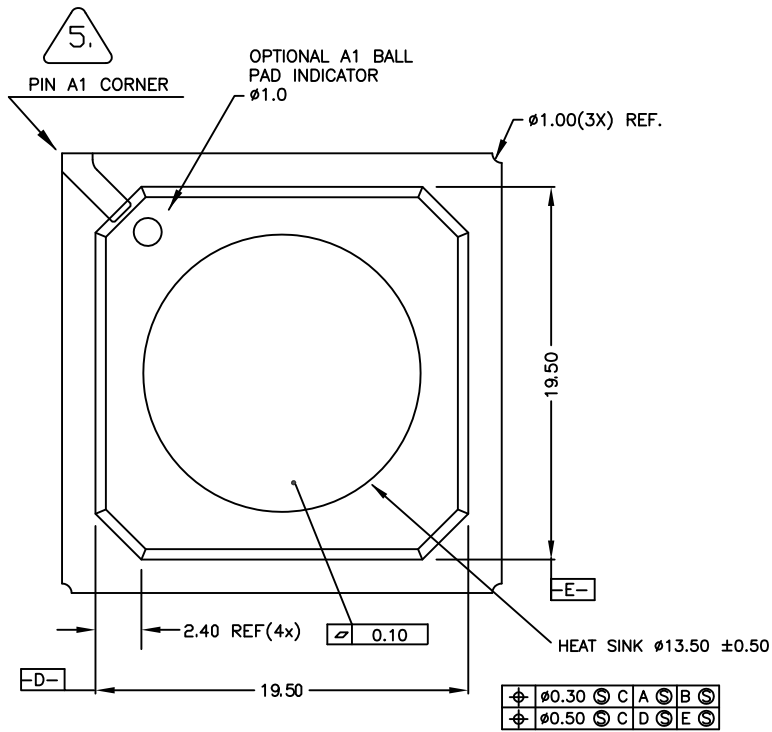
**ECN#: HQ-08-5761                      EFFECTIVE DATE: 07/01/08**

**ORIGINATOR: JEFF WALKER**

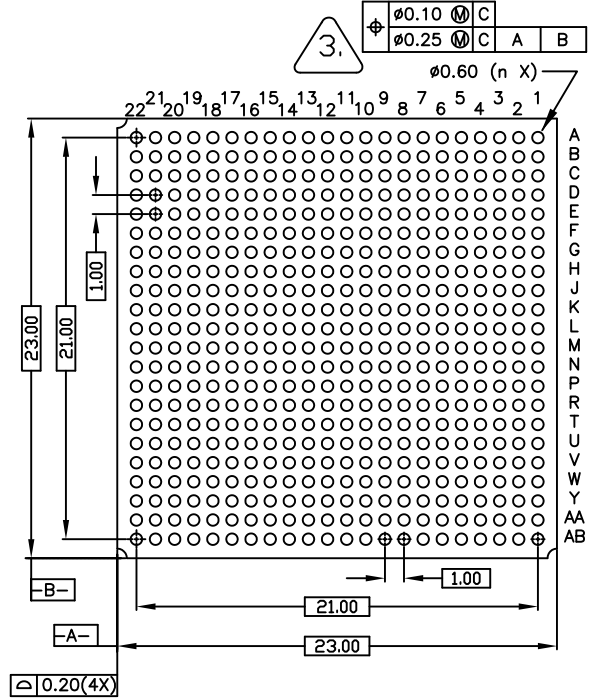
**MOST RECENT CHANGES**

<b>FROM</b>	<b>TO</b>
DALLAS DOCUMENT CONTROL SYSTEM DOC ID# 56-G6038-002 LOGO-DALLAS/MAXIM	INITIAL RELEASE INTO MAXIM DOCUMENT CONTROL LOGO-MAXIM

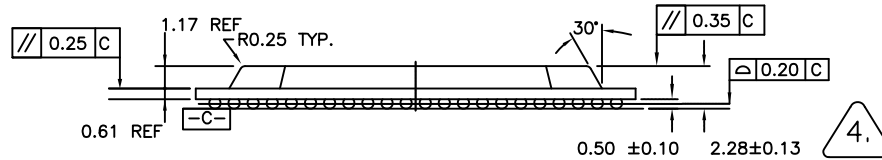
REVISIONS			
LTR.	DESCRIPTION	DATE	APPROVED



TOP VIEW



BOTTOM VIEW  
(BALL SIDE)



SIDE VIEW

NOTES:

- DIMENSION IS MM.
- THE BASIC SOLDER BALL GRID PITCH IS 1.00 MM.
- DIMENSION IS MEASURED AT THE MAXIMUM SOLDER BALL DIAMETER, PARALLEL TO PRIMARY DATUM C.
- PRIMARY DATUM C AND SEATING PLANE ARE DEFINED BY THE SPHERICAL CROWNS OF THE SOLDER BALLS.
- A1 BALL PAD CORNER I.D.

SIGNATURE		DATE							
DDC. CONTROL:								TITLE	
ENGR. MGR:				MARKETING OUTLINE DRAWING					
MFG. ENGR:				23MM X 23MM, 484 BALLS, BGA W/HEAT SINK, 4 LAYER					
CHECKED BY: S. CHINNUSAMY		09/05		SIZE		PART NO.		REV.	
DRAWN BY: JFD		09/05		A		21-0366		A	
SCALE				N/A		SHEET		1 of 1	

### REVISION HISTORY

REV	CHANGES MADE	DATE	INIT.
A	ECN# HQ-08-5761. INITIAL RELEASE INTO MAXIM DOCUMENT CONTROL. LOGO-MAXIM	07/01/08	JW



**TITLE:** MARKETING OUTLINE DRAWING, 23MM X 23MM 484 BALLS  
BGA W/ HEAT SINK, 4 LAYER, 1.00MM PITCH

**DOCUMENT I.D.**  
21-0366

**REVISION**  
A

**PAGE 3**