



DOCUMENT TITLE:
MARKETING OUTLINE, 400L PBGA (27X27), 24MM CAP, 1.27 MM PITCH, 2.33 MM THICK, 4 LAYER

DOC ID # 21-0306 NEW REV: A

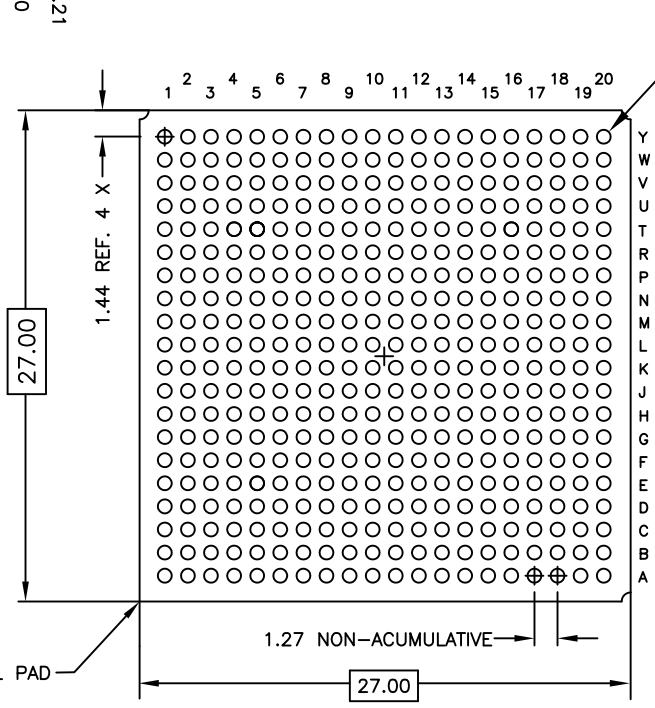
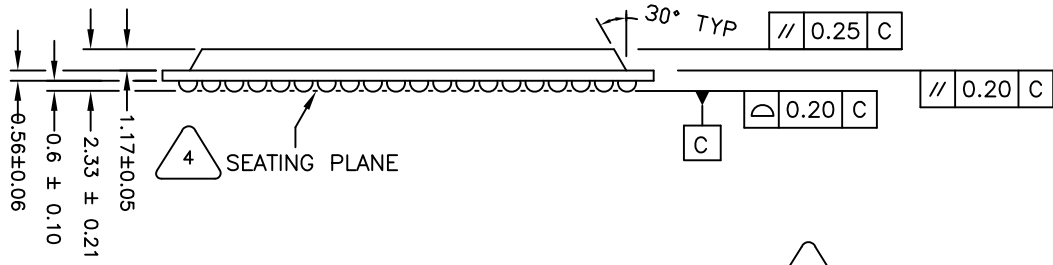
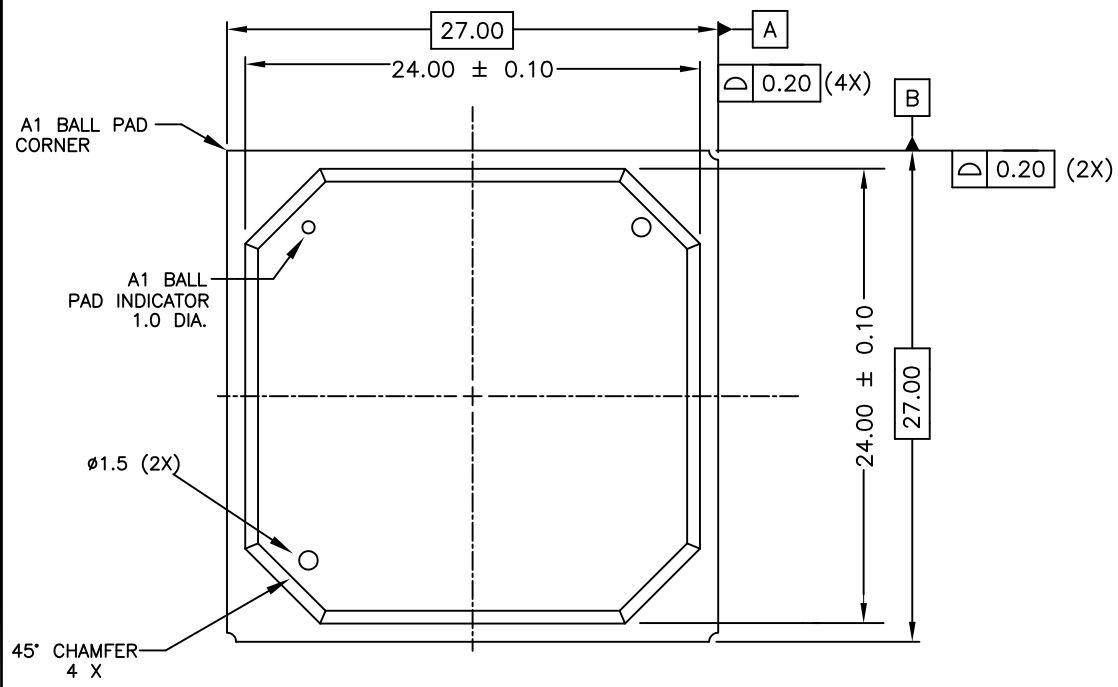
ECN#: HQ-08-5601 EFFECTIVE DATE: 07/15/08

ORIGINATOR: JEFF WALKER

MOST RECENT CHANGES

FROM	TO
DALLAS DOCUMENT CONTROL SYSTEM DOC ID# 56-G6003-003 LOGO-DALLAS/MAXIM	INITIAL RELEASE INTO MAXIM DOCUMENT CONTROL LOGO-MAXIM

REVISIONS			
LTR.	DESCRIPTION	DATE	APPROVED
A			



3	∅0.75 ± 0.15
∅0.30	C A B
∅0.10	C

NOTES:

- DIMENSIONS ARE IN MILLIMETERS
- ALL DIMENSIONS AND TOLERANCE CONFORM TO ASME Y 14.5M-1994
- DIMENSION IS MEASURED AT THE MAXIMUM SOLDER BALL DIAMETER, PARALLEL TO PRIMARY DATUM [C]
- PRIMARY DATUM [C] AND SEATING PLANES ARE DEFINED BY THE SPHERICAL CROWNS OF THE SOLDER BALLS.
- BALL MATRIX CONFORMS TO JEDEC MS034 VARIATION BAL-2.

SIGNATURE	DATE
DDC. CONTROL:	
ENGR. MGR:	
MFG. ENGR:	
CHECKED BY: S. CHINNUSAMY	01/06
DRAWN BY: JFD	01/06

MAXIM

TITLE
MARKETING OUTLINE, 400 LEAD, PBGA (27X27)
24MM CAP, 1.27 MM PITCH, 2.33 MM THICK, 4 LAYER

SIZE A	FSCM NO.	PART NO. 21-0306	REV. A
SCALE N/A	SHEET 1 of 1		

REVISION HISTORY

REV	CHANGES MADE	DATE	INIT.
A	ECN# HQ-08-5601. INITIAL RELEASE INTO MAXIM DOCUMENT CONTROL. LOGO-MAXIM	07/15/08	JW



TITLE: MARKETING OUTLINE, 400L PBGA (27X27), 24MM CAP, 1.27 MM PITCH, 2.33 MM THICK, 4 LAYER

DOCUMENT I.D.
21-0306

REVISION
A

PAGE
3