



**DOCUMENT TITLE:**  
**MARKETING OUTLINE, 400L PBGA (27X27), 25MM CAP, 1.27 MM PITCH, 2.33 MM THICK, 4 LAYER**

**DOC ID # 21-0305                      NEW REV:    A**

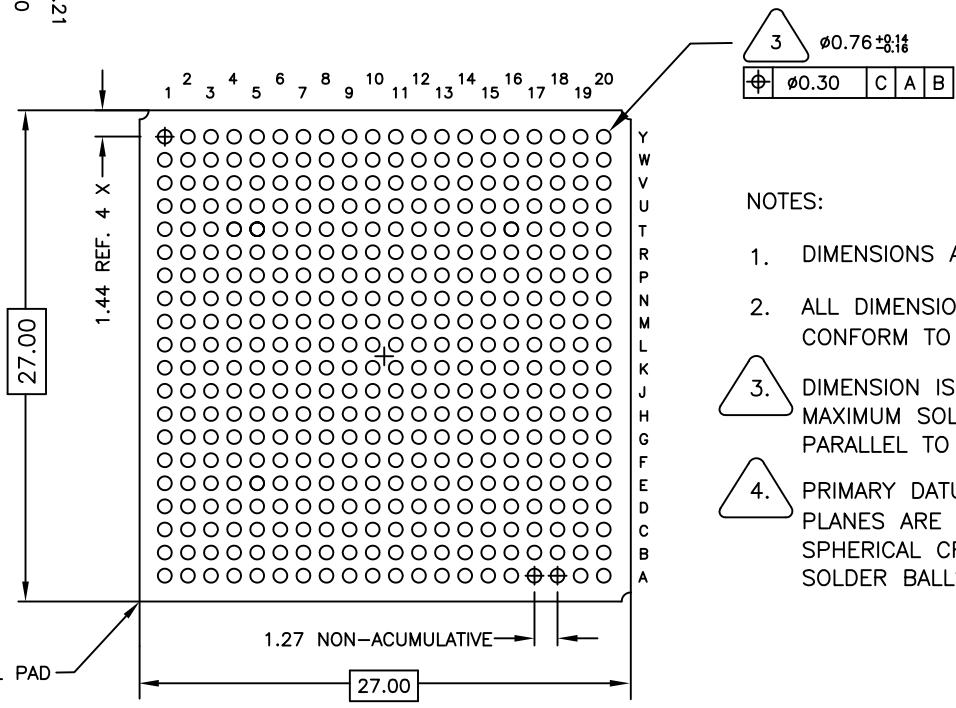
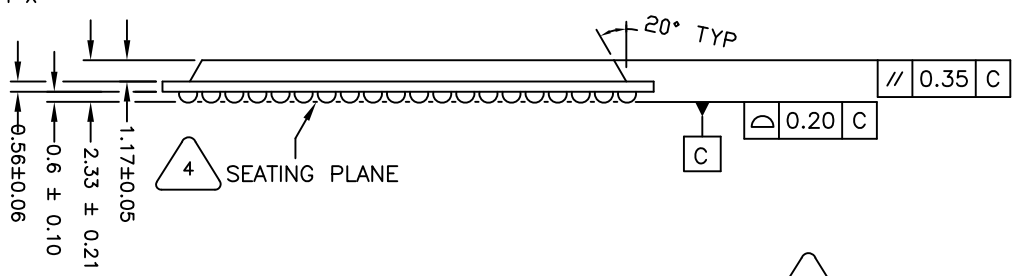
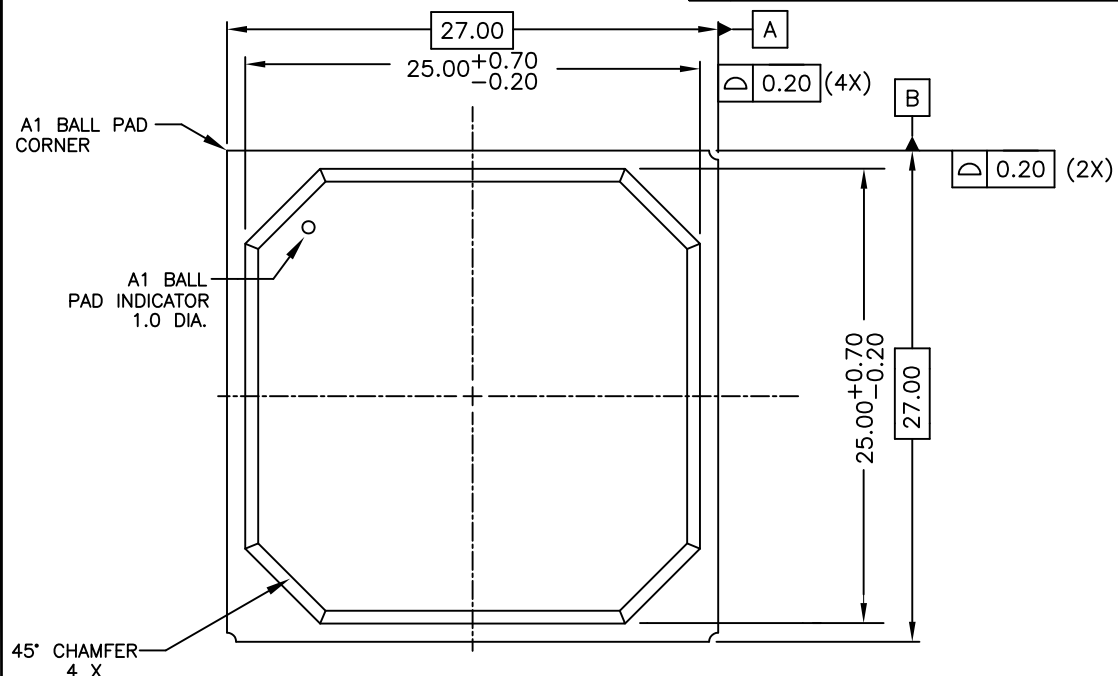
**ECN#: HQ-08-5601                      EFFECTIVE DATE: 07/15/08**

**ORIGINATOR: JEFF WALKER**

**MOST RECENT CHANGES**

<b>FROM</b>	<b>TO</b>
DALLAS DOCUMENT CONTROL SYSTEM DOC ID# 56-G6003-002 LOGO-DALLAS/MAXIM	INITIAL RELEASE INTO MAXIM DOCUMENT CONTROL LOGO-MAXIM

REVISIONS			
LTR.	DESCRIPTION	DATE	APPROVED
A			



NOTES:

- DIMENSIONS ARE IN MILLIMETERS
- ALL DIMENSIONS AND TOLERANCE CONFORM TO ASME Y 14.5M-1994
- DIMENSION IS MEASURED AT THE MAXIMUM SOLDER BALL DIAMETER, PARALLEL TO PRIMARY DATUM [C]
- PRIMARY DATUM [C] AND SEATING PLANES ARE DEFINED BY THE SPHERICAL CROWNS OF THE SOLDER BALLS.

SIGNATURE	DATE
DDC. CONTROL:	
ENGR. MGR:	
MFG. ENGR:	
CHECKED BY: TWM	10/04
DRAWN BY: JFD	10/04

**MAXIM**

TITLE  
MARKETING OUTLINE, 400 LEAD, PBGA (27X27)  
25MM CAP, 1.27 MM PITCH, 2.33 MM THICK, 4 LAYER

SIZE A	FSCM NO.	PART NO. 21-0305	REV. A
SCALE N/A	SHEET 1 of 1		

### REVISION HISTORY

REV	CHANGES MADE	DATE	INIT.
A	ECN# HQ-08-5601. INITIAL RELEASE INTO MAXIM DOCUMENT CONTROL. LOGO-MAXIM	07/15/08	JW



**TITLE:** MARKETING OUTLINE, 400L PBGA (27X27), 25MM CAP, 1.27 MM PITCH, 2.33 MM THICK, 4 LAYER

**DOCUMENT I.D.**  
21-0305

**REVISION**  
A

**PAGE**  
3