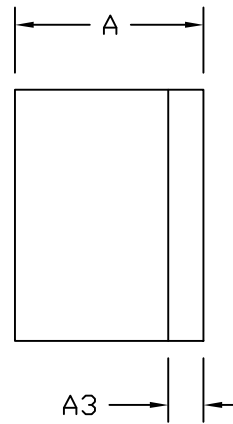
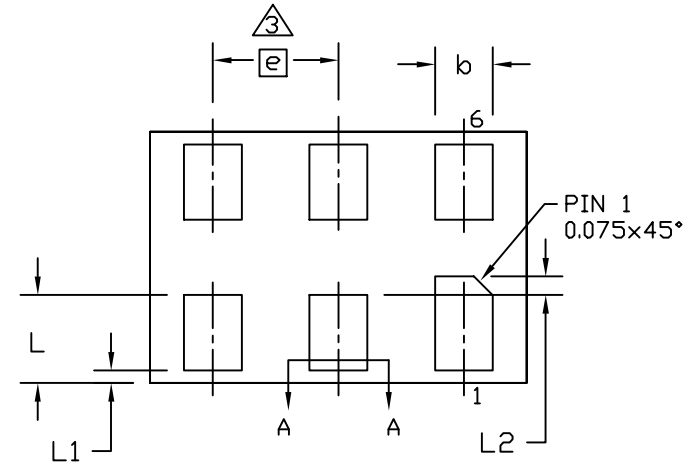


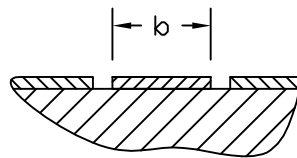
TOP VIEW



SIDE VIEW



BOTTOM VIEW




SECTION A-A

NOTES:

1. DIMENSIONS ARE IN MILLIMETERS.
2. MARKING SHOWN IS FOR PACKAGE ORIENTATION REFERENCE ONLY.
PACKAGE USES 2 CHARACTER PRODUCT CODE.
3. LEAD CENTERLINES TO BE AT TRUE POSITION AS DEFINED BY BASIC DIMENSION "e", ±0.05.
4. CALENDAR YEAR BINARY DATE CODE (REFER TO PG. 2 TABLE 1 FOR TRANSLATION).
5. 6 WEEKLY DATE BINARY CODE (REFER TO PG. 2 TABLE 2 FOR TRANSLATION).
6. MATERIAL MUST COMPLY WITH BANNED AND RESTRICTED SUBSTANCES SPEC# 10-0131.
7. MEETS JEDEC MO-252 VARIATION WAAD.
8. ALL DIMENSIONS APPLY TO BOTH LEADED (-) AND PbfREE (+) PKG. CODES.

-DRAWING NOT TO SCALE-

SYMBOL	COMMON DIMENSIONS		
	MIN.	NOM.	MAX.
A	0.45	0.50	0.55
A3	0.15 REF		
D	1.45	1.50	1.55
E	0.95	1.00	1.05
L	0.30	0.35	0.40
L1	0.00	--	0.08
L2	0.05	--	0.10
b	0.15	0.20	0.25
e	0.50 BSC.		
Pkg. Code	Y61A1-1		



TITLE:
PACKAGE OUTLINE
6L ULTRA THIN LGA, 1.5x1.0x0.5mm

APPROVAL	DOCUMENT CONTROL NO. 21-0190	REV. B	1/2
----------	---------------------------------	-----------	-----

TABLE 1 Translation Table for Calendar Year Code

Calendar Year	2005	2006	2007	2008	2009	2010	2011	2012	2013	2014

Legend: Marked with bar Blank space - no bar required

TABLE 2 Translation Table for Payweek Binary Coding

Payweek	06-11	12-17	18-23	24-29	30-35	36-41	42-47	48-51	52-05

Legend: Marked with bar Blank space - no bar required



TITLE:
PACKAGE OUTLINE
6L ULTRA THIN LGA, 1.5x1.0x0.5mm

APPROVAL	DOCUMENT CONTROL NO. 21-0190	REV. B	2/2
----------	---------------------------------	-----------	-----