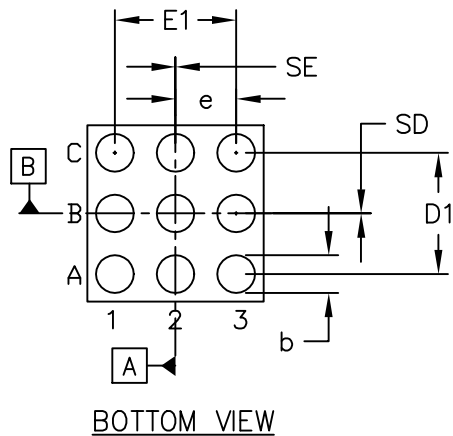


COMMON DIMENSIONS	
A	0.64±0.05
A1	0.24±0.03
A2	0.40 REF
A3	0.025 BASIC
A4	0.07 BASIC
b	∅0.31±0.03
D1	1.00
E1	1.00
e	0.50 BASIC
SD	0.00 BASIC
SE	0.00 BASIC



PKG. CODE	E		D		DEPOPULATED BUMPS
	MIN	MAX	MIN	MAX	
W91B1+1	1.48	1.63	1.48	1.63	NONE
W91B1+2	1.47	1.60	1.47	1.60	B1,B2,B3
W91B1+3	1.47	1.60	1.47	1.60	A2,B1,B2,B3,C2
W91B1+5	1.43	1.63	1.43	1.63	B2
W91C1+1	1.88	1.98	1.65	1.75	B1,B2,B3
W92A1+1	1.91	2.01	1.73	1.83	C1

NOTES:

1. Terminal pitch is defined by terminal center to center value.
2. Outer dimension is defined by center lines between scribe lines.
3. All dimensions in millimeters.
4. Marking shown is for package orientation reference only.
5. Tolerance is ± 0.02mm unless specified otherwise.
6. All dimensions apply to PbFree (+) package codes only.

-DRAWING NOT TO SCALE-

TITLE:
PACKAGE OUTLINE
9 BUMPS WLP PKG. 0.5mm PITCH

APPROVAL	DOCUMENT CONTROL NO. 21-0067	REV. D	1/1
----------	---------------------------------	-----------	-----