



2.7Gbps SFP Transimpedance Amplifiers with RSSI

MAX3744/MAX3745

General Description

The MAX3744/MAX3745 transimpedance amplifiers provide a compact, low-power solution for communication up to 2.7Gbps. They feature 330nA input-referred noise at 2.1GHz bandwidth (BW) with 0.85pF input capacitance. The parts also have >2mA_{p-p} AC input overload.

Both parts operate from a single +3.3V supply and consume 93mW. The MAX3744/MAX3745 are in a compact 30-mil x 50-mil die and require no external compensation capacitor. A space-saving filter connection is provided for positive bias to the photodiode through an on-chip 580Ω resistor to V_{CC}. These features allow easy assembly into a low-cost TO-46 or TO-56 header with a photodiode.

The MAX3744 and MAX3748A receiver chip set provides an RSSI output using a Maxim-proprietary* interface technique. The MAX3744 preamplifier, MAX3748A postamplifier, and DS1858/DS1859 SFP controller meet all the SFF-8472 digital diagnostic requirements.

Applications

Up to 2.7Gbps SFF/SFP Optical Receivers
Optimized for Small-Form-Factor Pluggable (SFP)
Optical Receivers

*Patent pending

Features

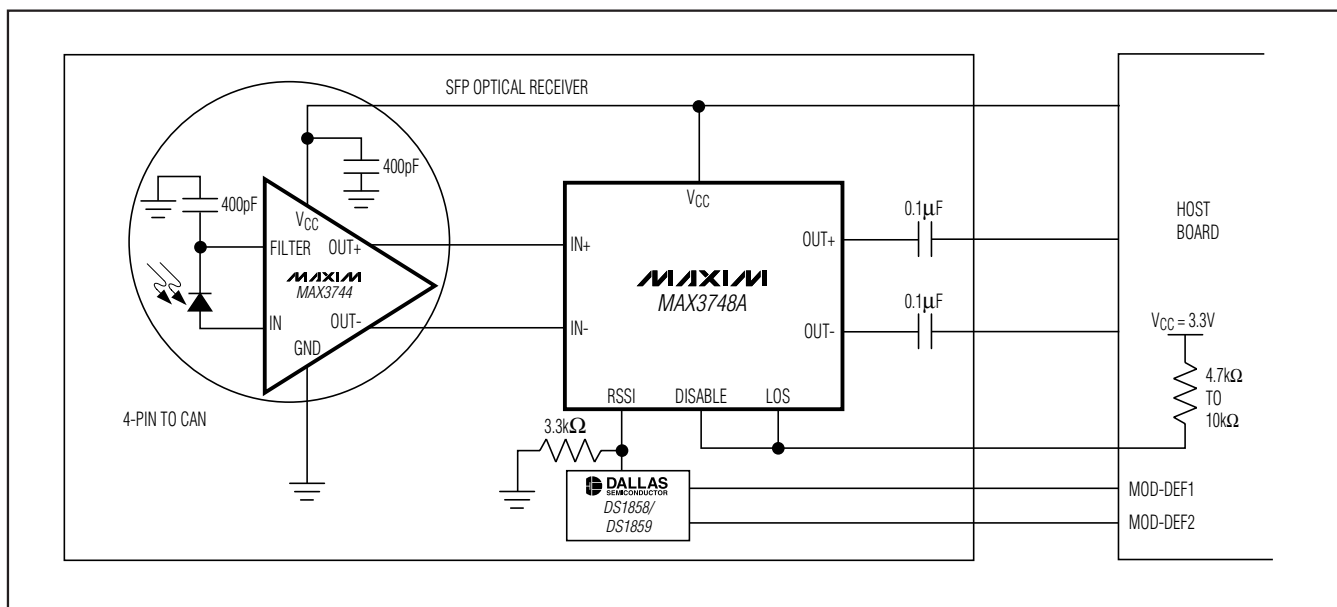
- ◆ Up to 2.7Gbps (NRZ) Data Rates
- ◆ RSSI Implementation in 4-Pin TO46 Header (MAX3744)
- ◆ 10psp-p Deterministic Jitter for <100μA_{p-p} Input Current
- ◆ 330nA_{RMS} Input-Referred Noise at 2.1GHz Bandwidth
- ◆ 28mA Supply Current at +3.3V
- ◆ 2GHz Small-Signal Bandwidth
- ◆ 2.0mA_{p-p} AC Overload
- ◆ Die Size: 30 mils x 50 mils

Ordering Information

PART	TEMP RANGE	PIN-PACKAGE
MAX3744E/D	-40°C to +85°C	Dice**
MAX3745E/D	-40°C to +85°C	Dice**

**Dice are guaranteed to operate from -40°C to +85°C, but are tested only at T_A = +25°C.

Typical Application Circuit



2.7Gbps SFP Transimpedance Amplifiers with RSSI

ABSOLUTE MAXIMUM RATINGS

Power-Supply Voltage (V_{CC}).....	-0.5V to +6.0V	Continuous Input Current (FILTER).....	-8mA to +8mA
Continuous CML Output Current (OUT+, OUT-)	-25mA to +25mA	Operating Junction Temperature Range (T_J)	-55°C to +150°C
Continuous Input Current (IN).....	-4mA to +4mA	Storage Ambient Temperature Range (T_{STG})	-55°C to +150°C
		Die Attach Temperature.....	+400°C

Stresses beyond those listed under "Absolute Maximum Ratings" may cause permanent damage to the device. These are stress ratings only, and functional operation of the device at these or any other conditions beyond those indicated in the operational sections of the specifications is not implied. Exposure to absolute maximum rating conditions for extended periods may affect device reliability.

ELECTRICAL CHARACTERISTICS

(V_{CC} = +2.97V to +3.63V and T_A = -40°C to +85°C. Typical values are at V_{CC} = +3.3V, source capacitance (C_{IN}) = 0.85pF, and T_A = +25°C, unless otherwise noted.) (Notes 1, 2)

PARAMETER	SYMBOL	CONDITIONS	MIN	TYP	MAX	UNITS
Supply Current	I_{CC}	Including CML output current ($I_{IN} = 0$)		28	41	mA
Input Bias Voltage					1.0	V
Input Overload		(Note 3)	2			mAp-p
Input-Referred Noise	I_N	$C_{IN} = 0.85\text{pF}$, BW = 933MHz		206		nARMS
		$C_{IN} = 0.85\text{pF}$, BW = 2.1GHz		330	430	
		$C_{IN} = 0.85\text{pF}$, BW = 18GHz			620	
		$C_{IN} = 0.85\text{pF}$, BW = 933MHz		206		
		$C_{IN} = 0.6\text{pF}$, BW = 2.1GHz		300	380	
		$C_{IN} = 0.6\text{pF}$, BW = 18GHz			550	
Differential Transimpedance		Differential output, $I_{IN} = 40\mu A_{AVE}$	2.8	3.5	4.5	k Ω
Small-Signal Bandwidth (Note 3)	BW	-3dB, $C_{IN} = 0.6\text{pF}$	1.8	2		GHz
		-3dB, $C_{IN} = 0.85\text{pF}$	1.6	1.8		
Low-Frequency Cutoff		-3dB, input current = $20\mu A_{AVE}$ (Note 3)			30	kHz
Deterministic Jitter (Notes 3, 5)	DJ	100 μ Ap-p < input \leq 2mAp-p	2.1Gbps, K28.5 pattern	14	31	psp-p
			2.7Gbps, 231-1 pattern	24		
		10 μ Ap-p < input \leq 100 μ Ap-p	2.1Gbps, K28.5 pattern	10	16	
			2.7Gbps, 231-1 pattern	20		
Filter Resistance			510	580	690	Ω
Differential Output Resistance (OUT+, OUT-)			85	100	115	Ω
Maximum Differential Output Voltage	V_{OD}	Input > $50\mu A_{AVE}$, output termination 50 Ω to V_{CC} (output in limited state)	220	280	400	mVp-p

2.7Gbps SFP Transimpedance Amplifiers with RSSI

MAX3744/MAX3745

ELECTRICAL CHARACTERISTICS (continued)

(V_{CC} = +2.97V to +3.63V and T_A = -40°C to +85°C. Typical values are at V_{CC} = +3.3V, source capacitance (C_{IN}) = 0.85pF, and T_A = +25°C, unless otherwise noted.) (Notes 1, 2)

PARAMETER	SYMBOL	CONDITIONS	MIN	TYP	MAX	UNITS
Single-Ended Output Common-Mode Minimum Level (MAX3744)		Relative to V _{CC} , I _{IN} = 1mA _{AVE}	540	490		mV
Output Data Transition Time		Input > 200μA _{P-P} 20% to 80% rise/fall time (Note 3)		80	140	ps
Differential Output Return Loss		Frequency ≤ 1GHz		17		dB
		1GHz < frequency ≤ 2GHz		10		
Power-Supply Noise Rejection	PSNR	I _{IN} = 0 (Note 6)	f < 1MHz	46		dB
			1MHz ≤ f < 10MHz	34		
RSSI Gain (MAX3744)	ARSSI	(Note 7)		21		A/A
RSSI Gain Stability (MAX3744)		10log(ARSSI/ARSSI-NOM) where ARSSI-NOM = ARSSI at 3.3V, +25°C (Note 3)			0.24	dB

Note 1: Die parameters are production tested at room temperature only, but are guaranteed by design and characterization from -40°C to +85°C.

Note 2: Source capacitance represents the total capacitance at the IN pad during characterization of the noise and bandwidth parameters.

Note 3: Guaranteed by design and characterization.

Note 4: Input-referred noise is:

$$\left(\frac{\text{RMS output noise}}{\text{Gain at } f=100\text{MHz}} \right)$$

Note 5: Deterministic jitter is the sum of pulse-width distortion (PWD) and pattern-dependent jitter (PDJ).

Note 6: Power-supply noise rejection PSNR = -20log(ΔV_{OUT} / ΔV_{CC}), where ΔV_{OUT} is the differential output voltage and ΔV_{CC} is the noise on V_{CC}.

Note 7:

$$A_{\text{RSSI}} = \frac{I_{\text{OUT_CM}}(I_{\text{IN}} = 400\mu\text{A}) - I_{\text{OUT_CM}}(I_{\text{IN}} = 0\mu\text{A})}{400\mu\text{A}}$$

$$\text{where } I_{\text{OUT_CM}} = \frac{I_{\text{OUT+}} + I_{\text{OUT-}}}{2}$$

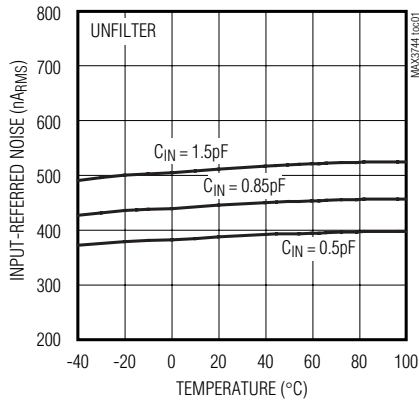
RSSI range is from I_{IN} = 6μA to 500μA

2.7Gbps SFP Transimpedance Amplifiers with RSSI

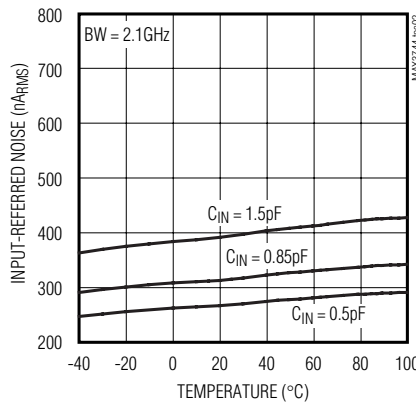
Typical Operating Characteristics

($V_{CC} = +3.3V$, $C_{IN} = 0.85pF$, $T_A = +25^\circ C$, unless otherwise noted.)

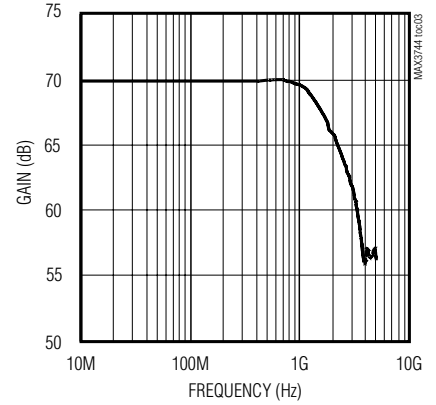
INPUT-REFERRED NOISE vs. TEMPERATURE



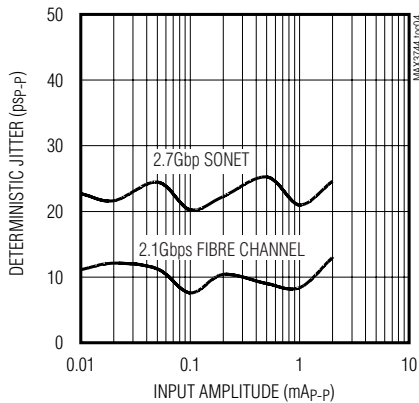
INPUT-REFERRED NOISE vs. TEMPERATURE



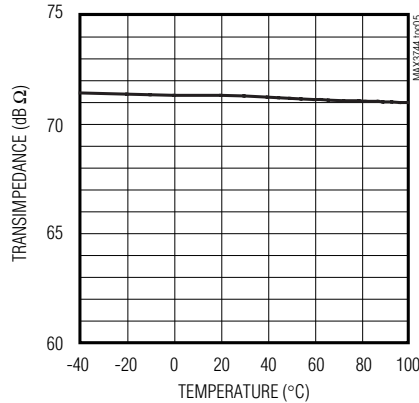
FREQUENCY RESPONSE



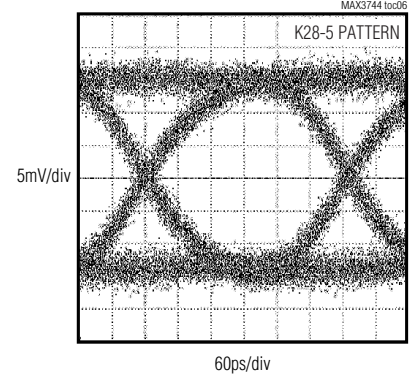
DETERMINISTIC JITTER vs. INPUT AMPLITUDE



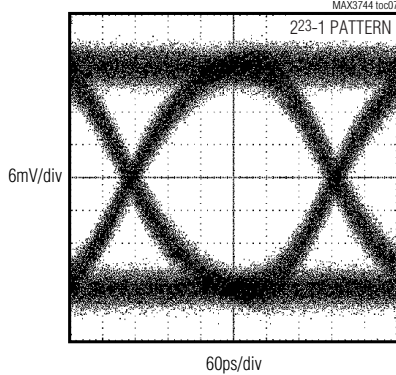
SMALL-SIGNAL TRANSIMPEDANCE vs. TEMPERATURE



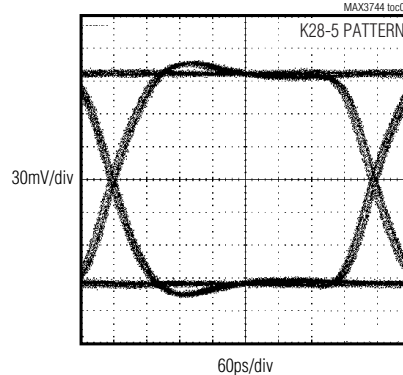
EYE DIAGRAM
INPUT = 20μAp-p, DATA RATE = 2.1Gbps



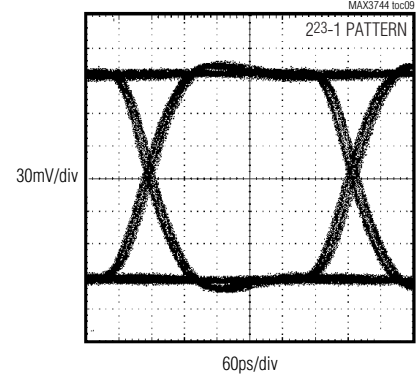
EYE DIAGRAM
INPUT = 20μAp-p, DATA RATE = 2.7Gbps



EYE DIAGRAM
INPUT = 2mAp-p, DATA RATE = 2.1Gbps



EYE DIAGRAM
INPUT = 2mAp-p, DATA RATE = 2.7Gbps

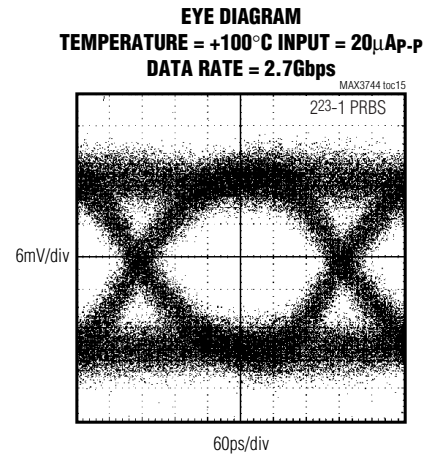
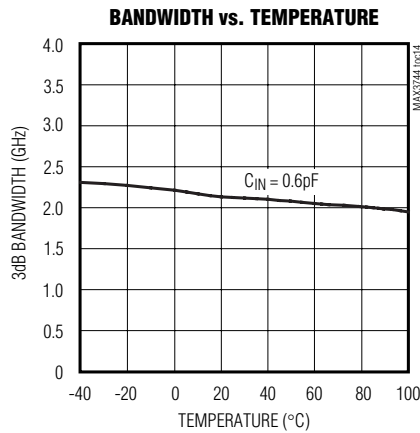
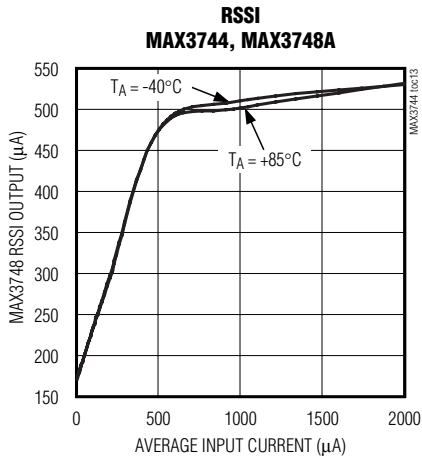
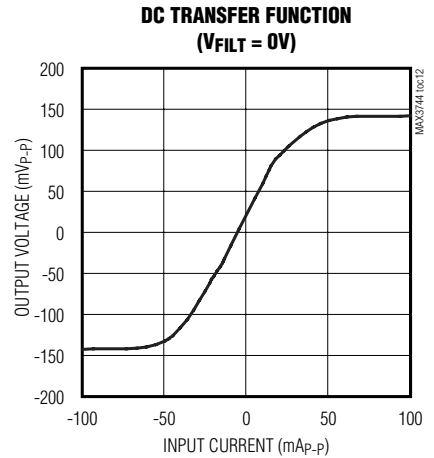
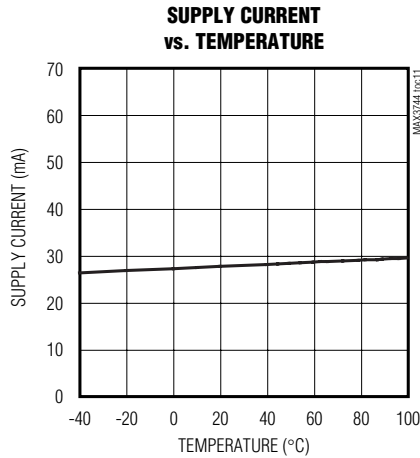
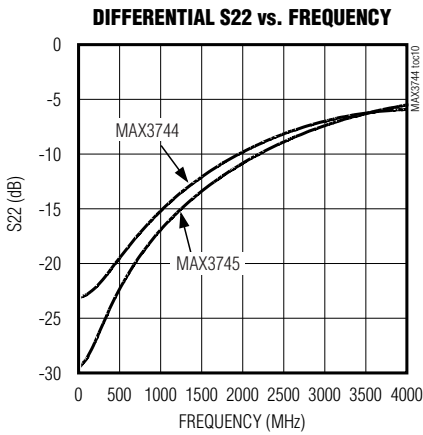


2.7Gbps SFP Transimpedance Amplifiers with RSSI

Typical Operating Characteristics (continued)

($V_{CC} = +3.3V$, $C_{IN} = 0.85pF$, $T_A = +25^\circ C$, unless otherwise noted.)

MAX3744/MAX3745



2.7Gbps SFP Transimpedance Amplifiers with RSSI

Pin Description

MAX3744/ MAX3745 BOND PAD	NAME	FUNCTION
1, 3	VCC	Supply Voltage
2, 7	N.C.	No Connection
4	IN	TIA Input. Signal current from photodiode flows into this pin.
5	FILTER	Provides bias voltage for the photodiode through a 580Ω resistor to VCC. When grounded, this pin disables the DC cancellation amplifier to allow a DC path from IN to OUT+ and OUT- for testing.
6, 10	GND	Supply Ground
8	OUT-	Inverting Data Output. Current flowing into IN causes the voltage at OUT- to decrease. For the MAX3744, the common mode between OUT+ and OUT- is proportional to the average input current.
9	OUT+	Noninverting Data Output. Current flowing into IN causes the voltage at OUT+ to increase. For the MAX3744, the common mode between OUT+ and OUT- is proportional to the average input current.

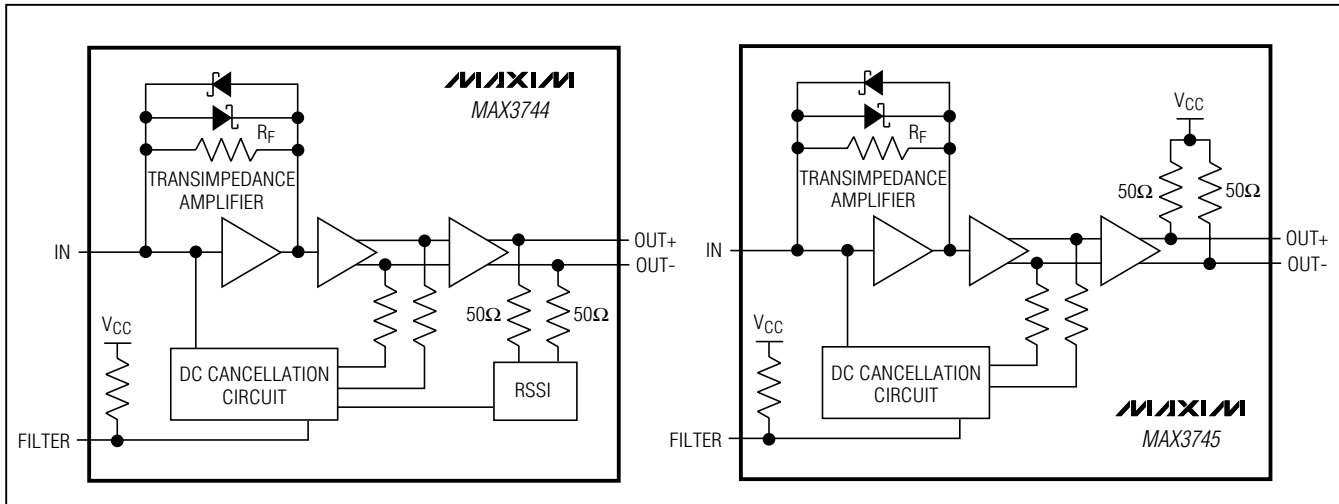


Figure 1. Functional Diagram

Detailed Description

The MAX3744/MAX3745 are transimpedance amplifiers designed for up to 2.7Gbps SFF/SFP transceiver modules. A functional diagram of the MAX3744/MAX3745 is shown in Figure 1. The MAX3744/MAX3745 comprise a transimpedance amplifier stage, a voltage amplifier stage, an output buffer, and a direct-current (DC) feedback cancellation circuit. The MAX3744 also includes a signal strength indicator (RSSI). To provide this signal in

a standard 4-pin TO header, the RSSI level is added to the common mode of the differential data output pins.

Transimpedance Amplifier Stage

The signal current at the input flows into the summing node of a high-gain amplifier. Shunt feedback through the resistor R_F converts this current to a voltage. In parallel with the feedback resistor are two back-to-back Schottky diodes that clamp the output signal for large input currents, as shown in Figure 2.

2.7Gbps SFP Transimpedance Amplifiers with RSSI

MAX3744/MAX3745

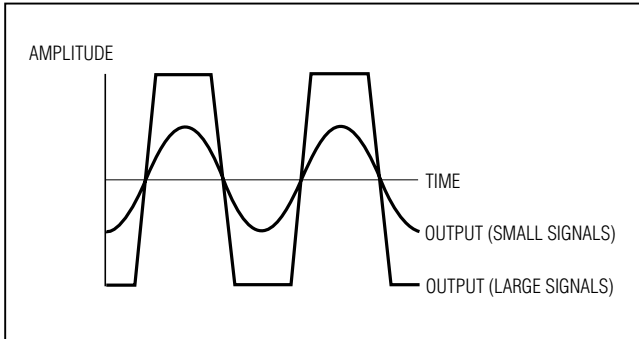


Figure 2. MAX3744/MAX3745 Limited Output

Voltage Amplifier Stage

The voltage amplifier stage provides gain and converts the single-ended input to differential outputs.

DC Cancellation Circuit

The DC cancellation circuit uses low-frequency feedback to remove the DC component of the input signal (Figure 3). This feature centers the input signal within the transimpedance amplifier's linear range, thereby reducing pulse-width distortion caused by large input signals. The DC cancellation circuit is internally compensated and therefore does not require external capacitors.

Output Buffer

The output buffer provides a reverse-terminated voltage output. The buffer is designed to drive a 100Ω differential load between OUT+ and OUT-. The MAX3744 must be DC-coupled to the MAX3748A. See Figures 4 and 5.

For optimum supply-noise rejection, the MAX3745 should be terminated with a matched load. If a single-ended output is required, the unused output should be terminated to a 50Ω resistor to VCC. The MAX3745 does not drive a DC-coupled, 50Ω grounded load; however, it does drive a compatible 50Ω CML input.

Signal-Strength Indicator

The MAX3744 produces a signal proportional to the average photodiode current. This is added to the common mode of the data outputs OUT+ and OUT-. This signal is intended for use with the MAX3748A to provide a ground-referenced RSSI voltage.

Applications Information

Signal-Strength Indicator

The SFF-8472 digital diagnostic specification requires monitoring of input receive power. The MAX3748A and MAX3744 receiver chipset allows for the monitoring of the average receive power by measuring the average DC current of the photodiode.

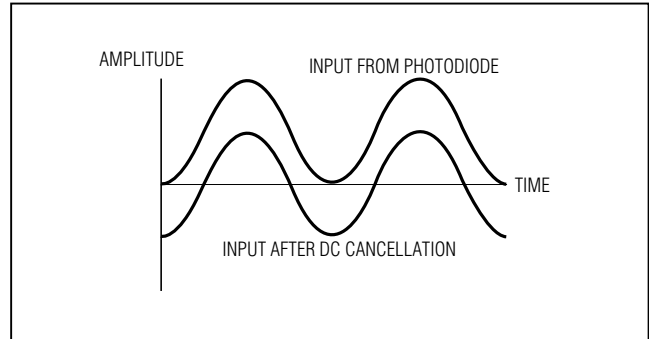


Figure 3. DC Cancellation Effect on Input

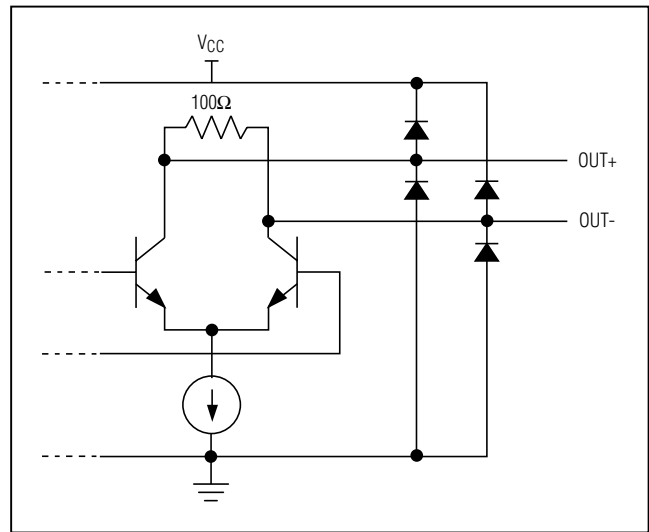


Figure 4. Equivalent Output MAX3744

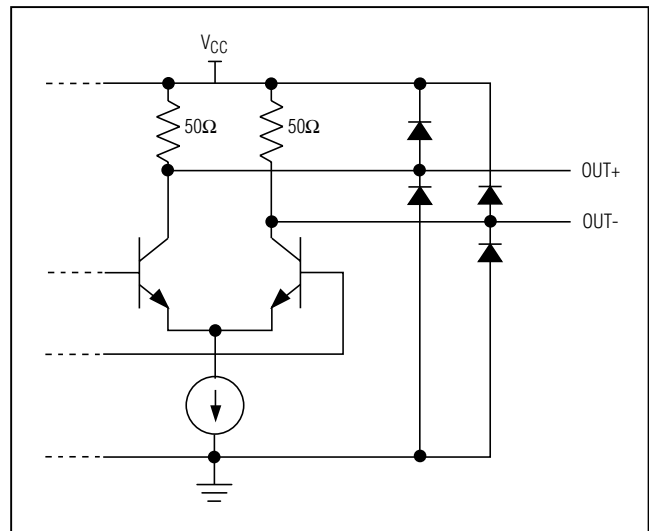


Figure 5. Equivalent Output MAX3745

2.7Gbps SFP Transimpedance Amplifiers with RSSI

The MAX3744 preamp measures the average photodiode current and provides the information to the output common mode. The MAX3748A RSSI detect block senses the common-mode DC level of input signals IN+ and IN- and provides a ground-level-referenced output signal of the photodiode current. The advantage of this implementation is that it allows the TIA to be packaged in a low-cost conventional 4-pin TO-46 header.

The MAX3748A RSSI output is connected to an analog input channel of the DS1858/DS1859 SFP controller to convert the analog information into a 16-bit word. The DS1858/DS1859 provide the received power information to the host board of the optical receiver through a 2-wire interface. The DS1859 allows for internal calibration of the receive power monitor.

The MAX3744 and the MAX3748A have been optimized to achieve RSSI stability of better than 2.5dB within the 6μA to 500μA range of average input photodiode current. To achieve the best accuracy, Maxim recommends receive power calibration at the low end (6μA) and the high end (500μA) of the required range.

Optical Power Relations

Many of the MAX3744/MAX3745 specifications relate to the input signal amplitude. When working with optical receivers, the input is sometimes expressed in terms of average optical power and extinction ratio. Figure 6 and Table 1 show relations that are helpful for converting optical power to input signal when designing with the MAX3744/MAX3745. (Refer to Application Note HFAN-3.0.0: *Accurately Estimating Optical Receiver Sensitivity*.)

Table 1. Optical Power Relations

PARAMETER	SYMBOL	RELATION
Average power	P_{AVG}	$P_{AVG} = (P_0 + P_1) / 2$
Extinction ratio	r_e	$r_e = P_1 / P_0$
Optical power of a 1	P_1	$P_1 = 2P_{AVG}(r_e) / (r_e + 1)$
Optical power of a zero	P_0	$P_0 = 2P_{AVG} / (r_e + 1)$
Signal amplitude	P_{IN}	$P_{IN} = P_1 - P_0$; $P_{IN} = 2P_{AVG}(r_e - 1) / (r_e + 1)$

Note: Assuming 50% average duty cycle and mark density.

Optical Sensitivity Calculation

The input-referred RMS noise current (I_N) of the MAX3744/MAX3745 generally determines the receiver sensitivity. To obtain a system bit-error rate (BER) of 1E-12, the signal-to-noise ratio must always exceed 14.1. The input sensitivity, expressed in average power, can be estimated as:

$$\text{Sensitivity} = 10\log\left(\frac{14.1 \times I_N(r_e + 1)}{2\rho(r_e - 1)}1000\right)\text{dBm}$$

where ρ is the photodiode responsivity in A/W and I_N is RMS current in amps.

Input Optical Overload

The overload is the largest input that the MAX3744/MAX3745 can accept while meeting deterministic jitter specifications. The optical overload can be estimated in terms of average power with the following equation:

$$\text{Overload} = 10\log\left(\frac{2\text{mA}_{RMS}(r_e + 1)}{2\rho(r_e - 1)}1000\right)\text{dBm}$$

Optical Linear Range

The MAX3744/MAX3745 have high gain, which limits the output when the input signal exceeds 50μAp-p. The MAX3744/MAX3745 operate in a linear range (10% linearity) for inputs not exceeding:

$$\text{Linear Range} = 10\log\left(\frac{50\mu\text{A}_{RMS}(r_e + 1)}{2\rho(r_e - 1)}1000\right)\text{dBm}$$

2.7Gbps SFP Transimpedance Amplifiers with RSSI

Layout Considerations

Noise performance and bandwidth are adversely affected by capacitance at the IN pad. Minimize capacitance on this pad and select a low-capacitance photodiode. Assembling the MAX3744/MAX3745 in die form using chip and wire technology provides the best possible performance. Figure 7 shows a suggested layout for a TO header for the MAX3744/MAX3745. The placement of the filter cap to minimize the ground loop of the photodiode is required to achieve the specified bandwidth. The OUT+ and OUT- bond wire lengths should also be minimized to meet the bandwidth specification. Special care should be taken to ensure that ESD at IN does not exceed 500V.

Photodiode Filter

Supply voltage noise at the cathode of the photodiode produces a current $I = C_{PD} \Delta V / \Delta t$, which reduces the receiver sensitivity (C_{PD} is the photodiode capacitance.) The filter resistor of the MAX3744/MAX3745, combined with an external capacitor, can be used to reduce this noise (see the *Typical Application Circuit*).

Current generated by supply noise voltage is divided between C_{FILTER} and C_{PD} . The input noise current due to supply noise is (assuming the filter capacitor is much larger than the photodiode capacitance):

$$I_{NOISE} = (V_{NOISE})(C_{PD}) / (R_{FILTER})(C_{FILTER})$$

If the amount of tolerable noise is known, the filter capacitor can be easily selected:

$$C_{FILTER} = (V_{NOISE})(C_{PD}) / (R_{FILTER})(I_{NOISE})$$

For example, with maximum noise voltage = 100mV_{P-P}, $C_{PD} = 0.85\text{pF}$, $R_{FILTER} = 600\Omega$, and I_{NOISE} selected to be 350nA:

$$C_{FILTER} = (100\text{mV})(0.85\text{pF}) / (600\Omega)(350\text{nA}) = 405\text{pF}$$

Wire Bonding

For high-current density and reliable operation, the MAX3744/MAX3745 use gold metallization. Connections to the die should be made with gold wire only, using ball-bonding techniques. Die thickness is typically 14 mils (0.4mm).

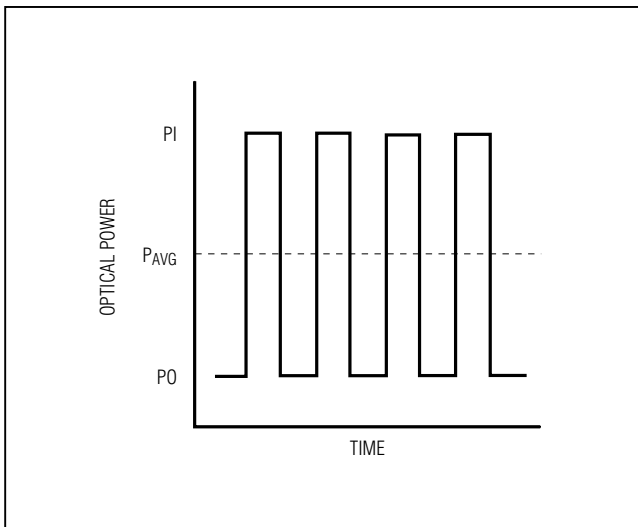


Figure 6. Optical Power Relations

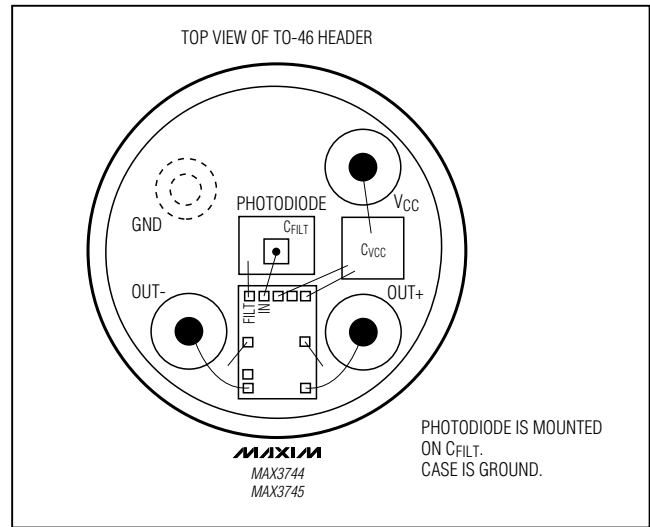
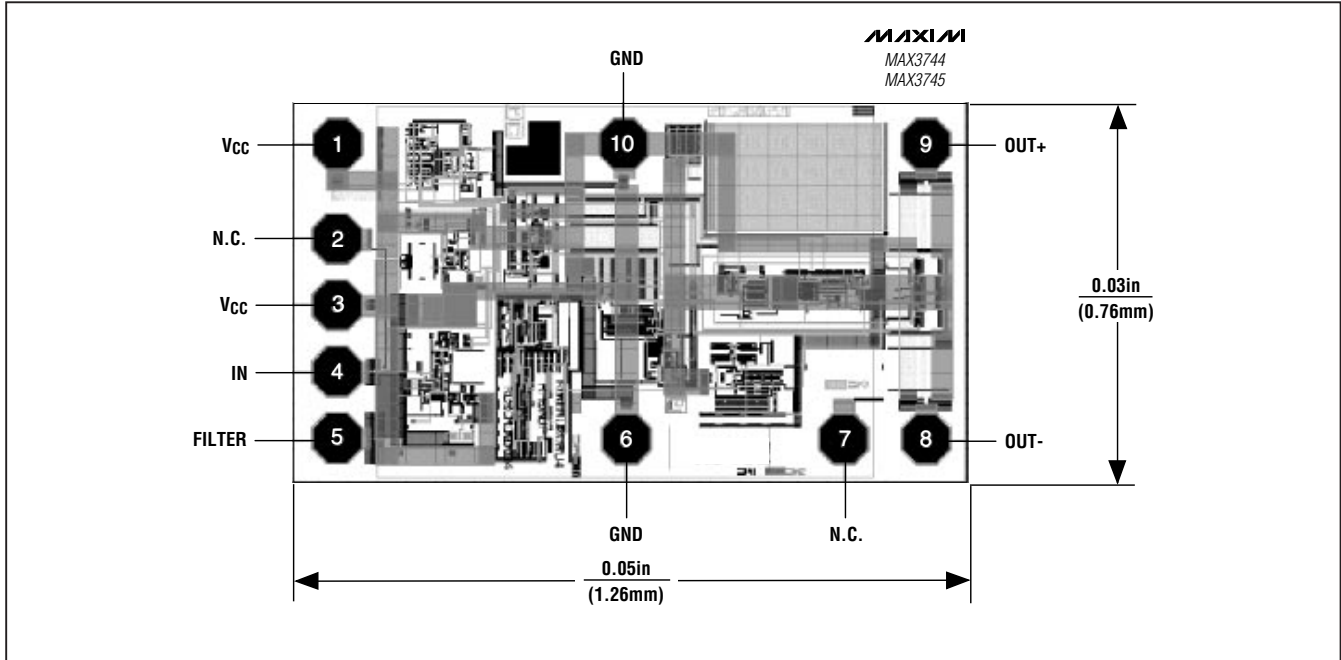


Figure 7. Suggested Layout for TO-46 Header

2.7Gbps SFP Transimpedance Amplifiers with RSSI

Chip Topography



Pad Coordinates

PAD	COORDINATES (μm)	
	X	Y
1	1.4	495.6
2	0	336
3	0	224
4	0	112
5	0	0
6	494.2	-1.4
7	865.2	-1.4
8	1005.2	-1.4
9	1005.2	495.6
10	490	495.6

Chip Information

TRANSISTOR COUNT: 301
 PROCESS: SiGe Bipolar
 SUBSTRATE: ISOLATED
 DIE THICKNESS: 0.014in ±0.001in

Maxim cannot assume responsibility for use of any circuitry other than circuitry entirely embodied in a Maxim product. No circuit patent licenses are implied. Maxim reserves the right to change the circuitry and specifications without notice at any time.

10 **Maxim Integrated Products, 120 San Gabriel Drive, Sunnyvale, CA 94086 408-737-7600**