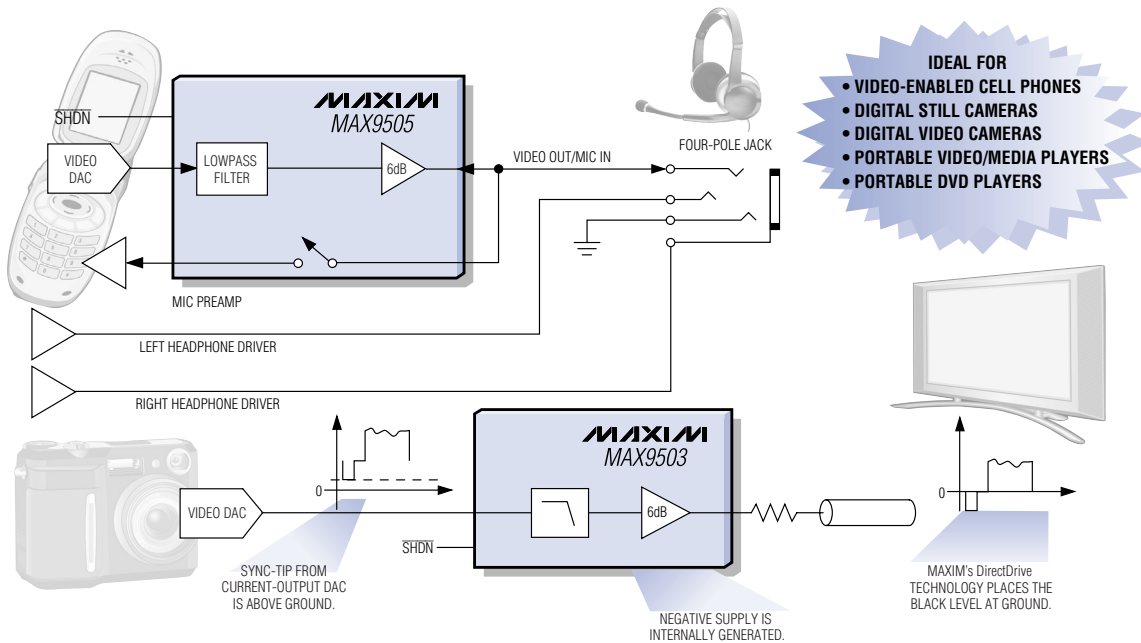


# NEW INTEGRATED VIDEO FILTER AMPLIFIERS SAVE SPACE, REDUCE POWER

**DirectDrive™ Eliminates Bulky DC-Blocking Output Capacitors**



## Save Space

- ◆ Internally Generated, Negative Supply Voltage Sets the Output Black Level at Ground—Eliminates Large DC-Blocking Capacitors
- ◆ Integrated Video Reconstruction Filter
- ◆ Available in 16-Pin QSOP and TQFN Packages—20% Smaller Than Other Solutions

## Reduce Power

- ◆ Low 10.7mA Quiescent Supply Current
  - ◆ 10nA Shutdown Current
- ## High Level of Integration
- ◆ Integrated Analog Switch (MAX9505) Supports Audio Input and Video Input/Output

Part	Input Coupling	Output Coupling	Analog Switch	Gain (dB)	Supply Voltage (V)	Shutdown Current (nA)	Package
MAX9503G/M	DC	DC	No	6/12	2.7 to 3.6	10	16-QSOP/16-TQFN (3mm x 3mm)
MAX9505	DC	DC	Yes	6	2.7 to 3.6	10	16-QSOP/16-TQFN (3mm x 3mm)



[www.maxim-ic.com/video](http://www.maxim-ic.com/video)

**FREE Video Design Guide—Sent Within 24 Hours!**

CALL TOLL FREE 1-800-998-8800 (6:00 a.m.–6:00 p.m. PT)

For a Design Guide or Free Sample



Distributed by Maxim/Dallas Direct!, Arrow, Avnet Electronics Marketing, Digi-Key, and Newark.

The Maxim logo is a registered trademark of Maxim Integrated Products, Inc. The Dallas Semiconductor logo is a registered trademark of Dallas Semiconductor Corp. © 2005 Maxim Integrated Products, Inc. All rights reserved.