

WORLD'S FIRST TRUE HIGH-DEFINITION VIDEO FILTERS

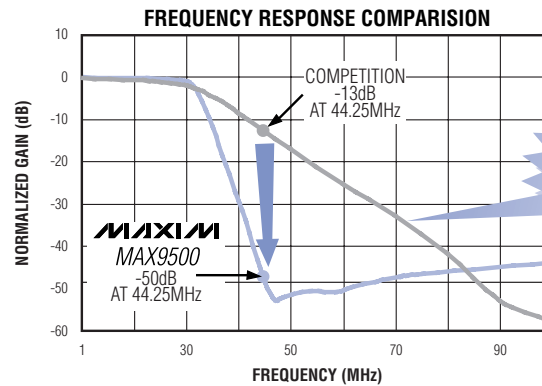
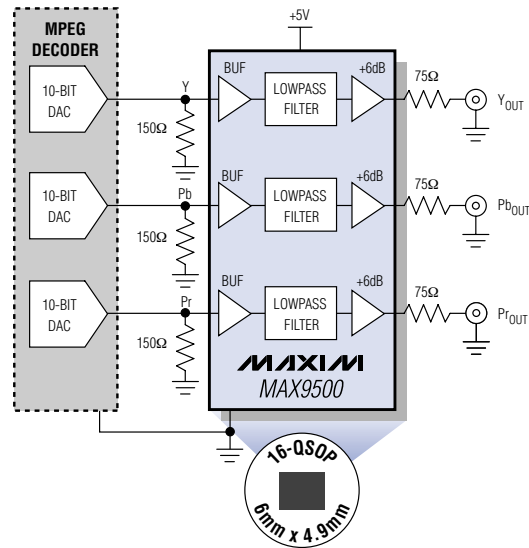
Triple-Channel Video Reconstruction Filters
Have 50dB Attenuation at 44.25MHz to Suppress Out-of-Band Artifacts

Improvements over the Competition

- ◆ Extremely Sharp Rolloff Filter
 - ◆ 30MHz Passband with ± 1.5 dB Flatness
 - ◆ 50dB Attenuation at 44.25MHz
- ◆ Single 5V Operation (MAX9500) or Dual ± 5 V Operation (MAX9501)
- ◆ Eliminate Input and Output Capacitors that Distort Video Signals

Additional Features

- ◆ 9ns Group-Delay Variation
- ◆ Sink-and-Source Output Current
- ◆ Drive 150Ω Directly to Ground
- ◆ High-Impedance Input Buffers Interface with Current-Output DACs



**BEWARE COMPETITION
 THAT PASSES
 OUT-OF-BAND
 ARTIFACTS INTO
 HD VIDEO SIGNAL**

Part	No. of Channels	Supply Voltage (V)	30MHz Flatness (dB)	Attenuation at 44.25MHz (dB)	Attenuation at 74.25MHz (dB)	Package
MAX9500	3	+5	± 1.5	50	40	16-SO/QSOP
MAX9501*		± 5				

*Future product—contact factory for availability.



www.maxim-ic.com/video

FREE Video Design Guide—Sent Within 24 Hours!

CALL TOLL FREE 1-800-998-8800 (6:00 a.m.–6:00 p.m. PT)

For a Design Guide or Free Sample



Distributed by Maxim/Dallas Direct!, Arrow, Avnet Electronics Marketing, Digi-Key, and Newark.

The Maxim logo is a registered trademark of Maxim Integrated Products, Inc. The Dallas Semiconductor logo is a registered trademark of Dallas Semiconductor Corp.
 © 2005 Maxim Integrated Products, Inc. All rights reserved.