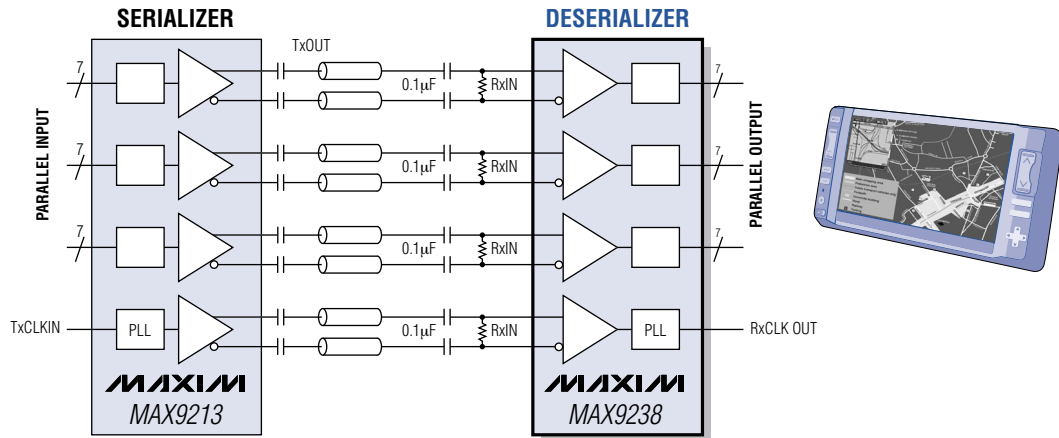


21-BIT DC-BALANCED DESERIALIZERS NOW WITH HOT-SWAPPABLE INPUTS

Up to 768 x 1024 Resolution for Automotive Applications in DC-Balanced Mode



- ◆ Hot-Swappable/Pluggable Inputs (MAX9234/MAX9236/MAX9238 Only)
- ◆ DC-Balanced Coding Allows AC-Coupling to Tolerate Ground Shift Between Serializer and Deserializer, and Provides Short-to-Battery Protection
- ◆ 10m Cable Drive Capability
- ◆ High ESD Protection on LVDS I/Os
 - ◆ IEC61000-4-2 Level 4 ESD ($\pm 15\text{kV}$ Air, $\pm 8\text{kV}$ Contact Discharge)
 - ◆ ISO10605 ($\pm 25\text{kV}$ Air, $\pm 8\text{kV}$ Contact Discharge)

NEW
HOT-SWAPPABLE/
PLUGGABLE
INPUTS

Part	Parallel Interface (Bits)	f _{MAX} DC-Balanced (MHz)	f _{MAX} Non-DC-Balanced (MHz)	Non-DC-Balanced, Pin-Compatible Upgrade to	Package
Serializers					
MAX9205	10	—	16 to 40	DS92LV1021A	28-SSOP
MAX9207	10	—	40 to 66	DS92LV1023	28-SSOP
MAX9209/11	21	8 to 34	10 to 40	DS90CR215	48-TSSOP
MAX9213/15	21	16 to 66	20 to 85	DS90CR217	48-TSSOP
Deserializers					
MAX9206	10	—	16 to 40	DS92LV1212A	28-SSOP
MAX9208	10	—	40 to 60	DS92LV1224	28-SSOP
MAX9210/12	21	8 to 34	10 to 40	DS90CR216A	48-TSSOP
MAX9214/16	21	16 to 66	20 to 85	DS90CR218A	48-TSSOP
MAX9220	21	8 to 34	10 to 40	Falling edge strobe	48-TSSOP
MAX9222	21	16 to 66	20 to 85	Falling edge strobe	48-TSSOP
MAX9234	21	8 to 34	—	DS90CR216A	48-TSSOP
MAX9236	21	8 to 34	—	Falling edge strobe	48-TSSOP
MAX9238	21	16 to 66	—	Falling edge strobe	48-TSSOP

MAXIM

www.maxim-ic.com

FREE High-Speed Interconnect Design Guide—Sent Within 24 Hours!

CALL TOLL FREE 1-800-998-8800 (6:00 a.m.–6:00 p.m. PT)

For a Design Guide or Free Sample

MAXIM/DALLAS DIRECT!
DISTRIBUTION
1-888-MAXIM-IC

ARROW
ARROW ELECTRONICS, INC.
1-800-777-2776

AVNET
CILICON
1-800-332-8638

Distributed by Maxim/Dallas Direct!, Arrow, Avnet Electronics Marketing, Digi-Key, and Newark.

The Maxim logo is a registered trademark of Maxim Integrated Products, Inc. The Dallas Semiconductor logo is a registered trademark of Dallas Semiconductor Corp.

© 2005 Maxim Integrated Products, Inc. All rights reserved.