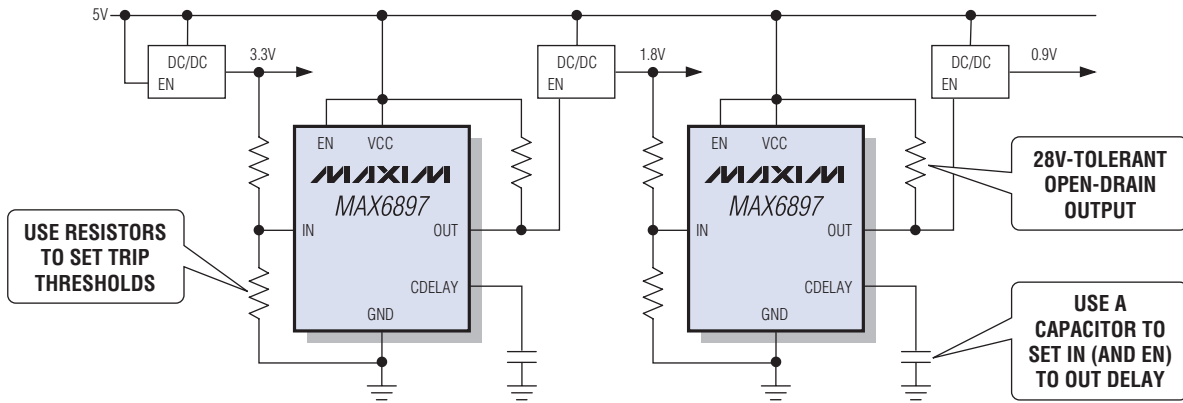


WORLD'S SMALLEST AND MOST ACCURATE SEQUENCING AND MONITORING SOLUTION

Ideal for Low-Power, Space-Constrained Applications



Maxim Beats the Competition 4 Ways!

Features	MAXIM	Competition
1. Improved Threshold Accuracy	1.80%	6.70%
2. Smaller Package	1.5mm x 1.0mm μ DFN	2.1mm x 2mm SC70
3. Wider Operating Range	1.5V to 5.5V	2.25V to 3.6V
4. Capacitor-Adjustable Enable Delay	Yes	No



64% SMALLER THAN COMPETITION!

Part	Push-Pull OUT	Push-Pull $\overline{\text{OUT}}$	Open-Drain OUT	Open-Drain $\overline{\text{OUT}}$	Enable Delay
MAX6895A/P	x				Capacitor adj/1 μ s
MAX6896A/P		x			Capacitor adj/1 μ s
MAX6897A/P			x		Capacitor adj/1 μ s
MAX6898A/P				x	Capacitor adj/1 μ s



www.maxim-ic.com

FREE μ P Supervisory Design Guide—Sent Within 24 Hours!

CALL TOLL FREE 1-800-998-8800 (6:00 a.m.–6:00 p.m. PT)

For a Design Guide or Free Sample

NEED HELP SELECTING THE RIGHT SUPERVISOR, SEQUENCING, OR TRACKING IC? VISIT US AT: www.maxim-ic.com/supervisors



Distributed by Maxim/Dallas Direct!, Arrow, Avnet Electronics Marketing, Digi-Key, and Newark.

The Maxim logo is a registered trademark of Maxim Integrated Products, Inc. The Dallas Semiconductor logo is a registered trademark of Dallas Semiconductor Corp.

© 2005 Maxim Integrated Products, Inc. All rights reserved.