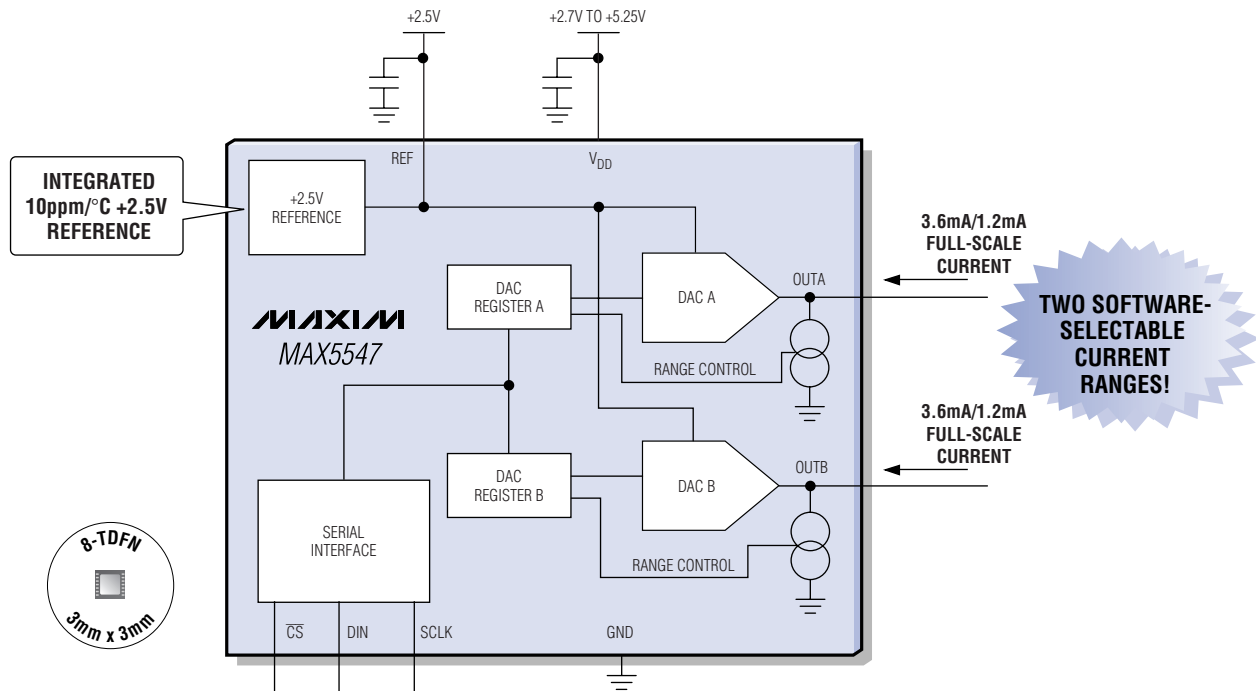


WORLD'S SMALLEST DUAL, CURRENT-SINK DAC

The dual, 10-bit MAX5547 DAC with SPI™-compatible interface features independent software-selectable, full-scale current-sink ranges of 0 to 1.2mA or 0 to 3.6mA. This device operates from a single +2.7V to +5.25V supply and is available in an ultra-small, 3mm x 3mm, 8-pin TDFN package, making it ideal for laser-driver control applications.



- ◆ Two Current-Sink DACs
- ◆ 10-Bit Resolution
- ◆ Two Software-Selectable Current Ranges
 - ◆ 0 to 3.6mA Full-Scale
 - ◆ 0 to 1.2mA Full-Scale
- ◆ Accurate, +2.5V Voltage Reference
- ◆ Ultra-Small, 3mm x 3mm, 8-Pin TDFN Package
- ◆ Single +2.7V to +5.25V Supply
- ◆ ±4 LSB INL
- ◆ ±0.5 LSB DNL
- ◆ SPI-/QSPI™-/MICROWIRE™-Compatible Interface

SPI/QSPI is a trademark of Motorola, Inc.
MICROWIRE is a trademark of National Semiconductor Corp.



www.maxim-ic.com

FREE D/A Converters Design Guide—Sent Within 24 Hours!

CALL TOLL FREE 1-800-998-8800 (6:00 a.m.–6:00 p.m. PT)

For a Design Guide or Free Sample



Distributed by Maxim/Dallas Direct!, Arrow, Avnet Electronics Marketing, Digi-Key, and Newark.

The Maxim logo is a registered trademark of Maxim Integrated Products, Inc. The Dallas Semiconductor logo is a registered trademark of Dallas Semiconductor Corp.
© 2005 Maxim Integrated Products, Inc. All rights reserved.