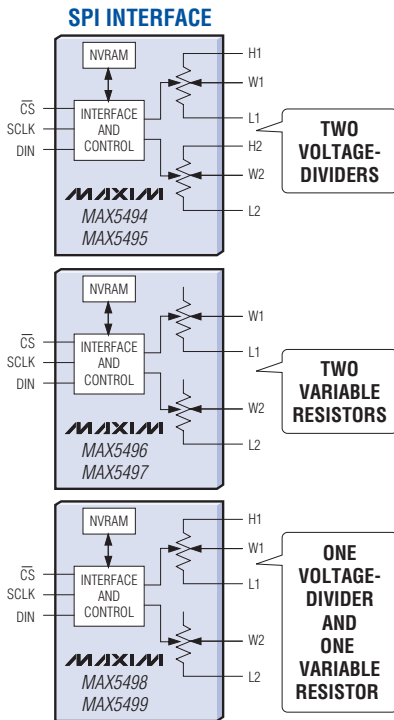


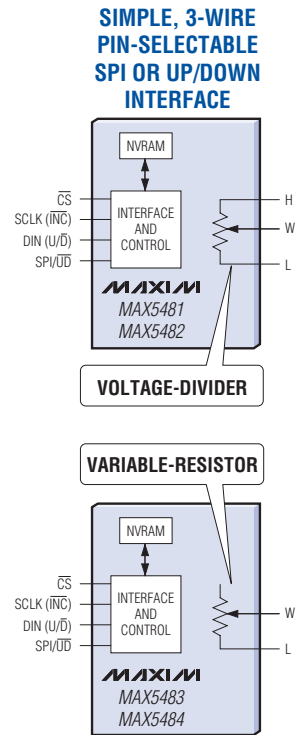
TINY, 1024-STEP, NONVOLATILE DIGITAL POTS OFFER ULTRA-LOW TEMPCO

Add More Resolution to Offset, Gain, and Contrast Control!



**ULTRA-LOW
35ppm/°C END-TO-END
AND 5ppm/°C RATIOMETRIC
TEMPERATURE DRIFT**

- ◆ Nonvolatile Memory Recalls Wiper Position at Power-Up
- ◆ 10kΩ and 50kΩ End-to-End Resistance Values
- ◆ Reliable Nonvolatile Memory
 - ◆ Stores 100,000 Wiper Cycles
 - ◆ Retains Wiper Data 100 Years
- ◆ < 1μA Standby Current
- ◆ Low Temperature Coefficients: 35ppm/°C End-to-End and 5ppm/°C Ratiometric
- ◆ Operates from +2.7V to +5.25V Single Supply or ±2.5V Dual Supply
- ◆ Glitchless Switching



Part	Temp Range (°C)	Package	Configuration	Resistance (kΩ)	Price (\$)†
MAX5481*	-40 to +85	16-TQFN /14-TSSOP	Voltage-divisor	10	1.95
MAX5482*	-40 to +85	16-TQFN /14-TSSOP	Voltage-divisor	50	1.95
MAX5483*	-40 to +85	16-TQFN /14-TSSOP	Variable resistor	10	1.95
MAX5484*	-40 to +85	16-TQFN /14-TSSOP	Variable resistor	50	1.95
MAX5494	-40 to +85	16-TQFN	Two voltage-divisors	10	3.60
MAX5495	-40 to +85	16-TQFN	Two voltage-divisors	50	3.60
MAX5496*	-40 to +85	16-TQFN	Two variable resistors	10	3.60
MAX5497*	-40 to +85	16-TQFN	Two variable resistors	50	3.60
MAX5498*	-40 to +85	16-TQFN	One voltage-divisor and one variable resistor	10	3.60
MAX5499*	-40 to +85	16-TQFN	One voltage-divisor and one variable resistor	50	3.60

SPI is a trademark of Motorola, Inc.

†1000-up recommended resale. Prices provided are for design guidance and are FOB USA. International prices will differ due to local duties, taxes, and exchange rates. Not all packages are offered in 1k increments, and some may require minimum order quantities.

*Future product—contact factory for availability.



www.maxim-ic.com

FREE Digital Potentiometer Design Guide—Sent Within 24 Hours!

CALL TOLL FREE 1-800-998-8800 (6:00 a.m.–6:00 p.m. PT)

For a Design Guide or Free Sample



Distributed by Maxim/Dallas Direct!, Arrow, Avnet Electronics Marketing, Digi-Key, and Newark.

The Maxim logo is a registered trademark of Maxim Integrated Products, Inc. The Dallas Semiconductor logo is a registered trademark of Dallas Semiconductor Corp.

© 2005 Maxim Integrated Products, Inc. All rights reserved.