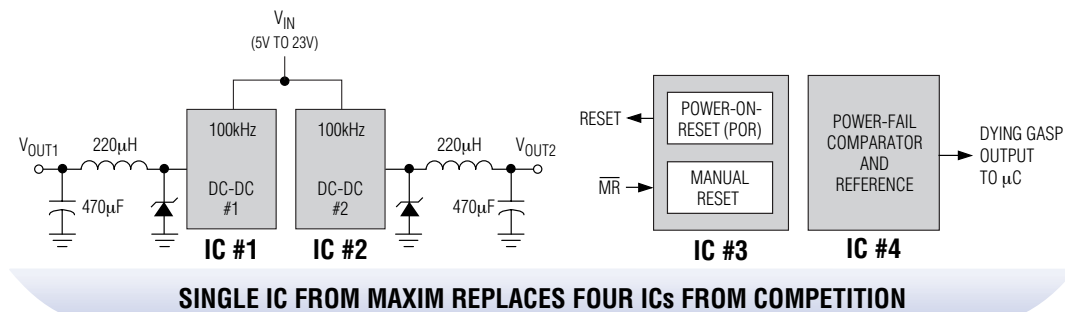
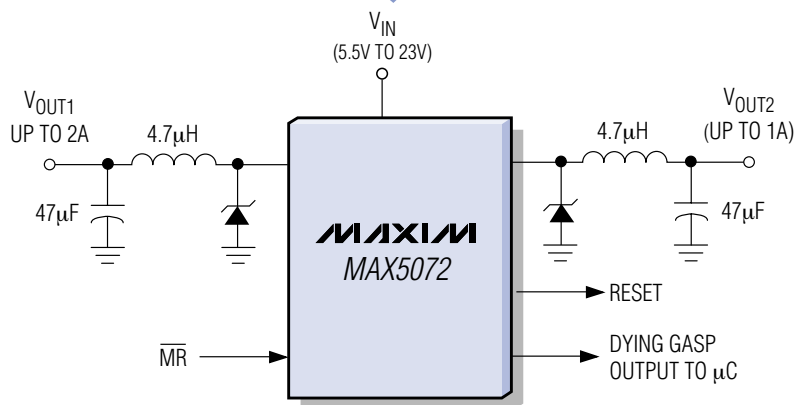


HIGHEST INTEGRATION, LOW-COST, DUAL-OUTPUT POWER SUPPLY

MAX5072 Integrates Four Functions in One IC and Is Ideal for xDSL/ADSL2+ Power Supplies



SINGLE IC FROM MAXIM REPLACES FOUR ICs FROM COMPETITION



Lowest Cost

- ◆ Save 50% on Lower Cost Inductors and Output Capacitors
- ◆ Highest Integration Lowers BOM Cost

Smallest Solution

- ◆ 60% Smaller (2,000mm² vs. 5,000mm²) PCB Area than Competition

Ideal for xDSL/ADSL2+ Modems and Point-Of-Load Power Supplies

- ◆ 2.2MHz Operation Eliminates Interference in the xDSL/ADSL2+ Frequency Band
- ◆ Each Converter Output Is Configurable as Buck or Boost (For 12V Line Drivers)
- ◆ Integrated Power-On-Reset and Dying GasP

MAXIM

www.maxim-ic.com

FREE Power Supply Design Guide—Sent Within 24 Hours!

CALL TOLL FREE 1-800-998-8800 (6:00 a.m.–6:00 p.m. PT)

For a Design Guide or Free Sample

MAXIM/DALLAS DIRECT!
DISTRIBUTION
1-888-MAXIM-IC

ARROW
ARROW ELECTRONICS, INC.
1-800-777-2776

AVNET
CILICON
1-800-332-8638

Distributed by Maxim/Dallas Direct!, Arrow, Avnet Electronics Marketing, Digi-Key, and Newark.

The Maxim logo is a registered trademark of Maxim Integrated Products, Inc. The Dallas Semiconductor logo is a registered trademark of Dallas Semiconductor Corp.

© 2005 Maxim Integrated Products, Inc. All rights reserved.