

HIGH-PERFORMANCE, 1MHz PWM CONTROLLER FAMILY

Offer Industry-Standard Pinout, Advanced Features, and
Performance that Beats the Competition

Industry-Standard Pinout

- ◆ Pin and Function Compatible with UC2842/UCC2842 (MAX5070A)
- ◆ Pin and Function Compatible with UC2844/UCC2844 (MAX5070B)

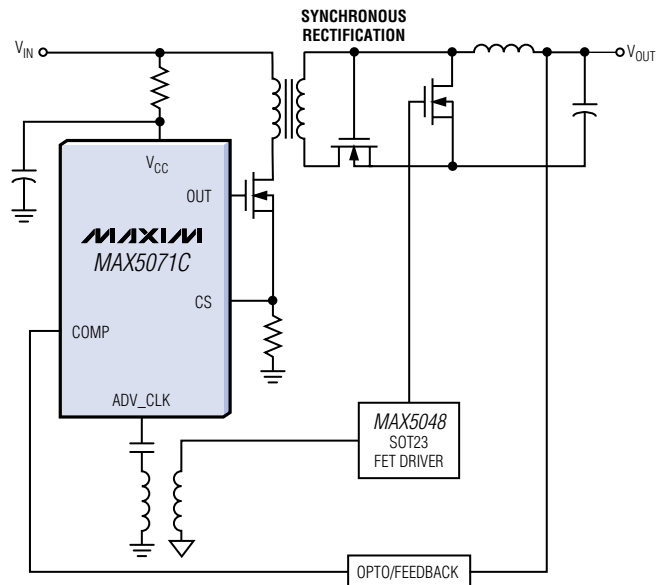
Advanced Clock Output

- ◆ Provides "Look-Ahead" Signal for Secondary-Side Synchronous Rectification and High Efficiency (MAX5071C)

Bidirectional Frequency Synchronization

- ◆ Connects the "SYNC" Pins Together so Multiple Power Supplies Operate at the Same Frequency (MAX5071A/B)

**GUARANTEED -40°C TO +125°C
AMBIENT OPERATING TEMP RANGE**



Visit:
www.maxim-ic.com/Isolated-Power

Unmatched Performance for All Controllers

- ◆ Frequency Trimmed to $\pm 6\%$ —2x Better than Competition
- ◆ $\pm 5\%$ Current-Sense Accuracy—2x Better than Competition
- ◆ 32 μ A Startup Current—35% Lower than Competition



www.maxim-ic.com

FREE Power Supplies Design Guide—Sent Within 24 Hours!

CALL TOLL-FREE 1-800-998-8800 (6:00 a.m.—6:00 p.m. PT)

For a Design Guide or Free Sample



Distributed by Maxim/Dallas Direct!, Arrow, Avnet Electronics Marketing, Digi-Key, and Newark.

MAXIM is a registered trademark of Maxim Integrated Products, Inc. DALLAS is a registered trademark of Dallas Semiconductor Corp.
© 2004 Maxim Integrated Products, Inc. All Rights Reserved.