

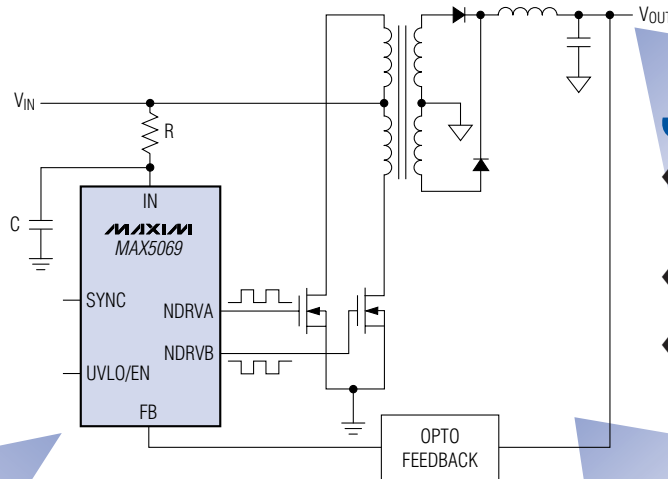
HIGH-FREQUENCY PWM CONTROLLERS WITH HIGHEST ACCURACY, PROGRAMMABLE SWITCHING FREQUENCY BEAT COMPETITION FOUR WAYS

High-Integration Current-Mode PWM Controllers Support Universal Offline, Telecom, and 12V Input Voltages

-40°C TO +125°C OPERATING TEMP RANGE

1 Reduce Size

- ◆ Oscillator Frequency Programmable from 50kHz to 2.5MHz
- ◆ $\pm 4.5\%$ Accurate Switching Frequency—**3X Better than Competition**



3 Improve Performance

- ◆ Digital Softstart Guarantees Monotonic V_{OUT} Rise and Eliminates Overshoot
- ◆ 50 μ A Startup Current—**20X Lower than Competition**
- ◆ 320mV Current Sense—**3X Lower than Competition**

2 Superior Fault Handling

- ◆ Integrating Fault Protection (Hiccup Mode) Prevents Component Overheating and Provides Short-Circuit Protection
- ◆ 40ns Cycle-by-Cycle Current-Limit Propagation Delay

Visit www.maxim-ic.com/isolated-power

4 Allow Design Flexibility

- ◆ External Frequency Synchronization
- ◆ Programmable UVLO and Hysteresis

| Part | Input Voltage | Number of Outputs | Package | Applications | Price [†] (\$) |
|---------|---|-------------------|---------------------------|-------------------------------------|-------------------------|
| MAX5068 | Rectified 85V _{AC} to 265V _{AC} , or 36V _{DC} to 75V _{DC} , or 10.8V _{DC} to 24V _{DC} | Single | 16-TSSOP with exposed pad | Flyback, forward | 1.28 |
| MAX5069 | Rectified 85V _{AC} to 265V _{AC} , or 36V _{DC} to 75V _{DC} , or 10.8V _{DC} to 24V _{DC} | Dual | 16-TSSOP with exposed pad | Push-pull, half bridge, full bridge | 1.56 |

[†]1000-up recommended resale. Prices provided are for design guidance and are FOB USA. International prices will differ due to local duties, taxes, and exchange rates. Not all packages are offered in 1k increments, and some may require minimum order quantities.



www.maxim-ic.com

FREE Power Supplies Design Guide—Sent Within 24 Hours!

CALL TOLL-FREE 1-800-998-8800 (6:00 a.m.—6:00 p.m. PT)

For a Design Guide or Free Sample



Distributed by Maxim/Dallas Direct!, Arrow, Avnet Electronics Marketing, Digi-Key, and Newark.

MAXIM is a registered trademark of Maxim Integrated Products, Inc. DALLAS is a registered trademark of Dallas Semiconductor, Corp. © 2004 Maxim Integrated Products.