

# DUAL 4A, 20ns MOSFET DRIVER OFFERS HIGHEST PERFORMANCE IN SMALLEST FOOTPRINT

Provides High Output Current and the Fastest Matched-Propagation Delays in a 3mm x 3mm Thermally Enhanced Thin DFN Package

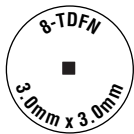
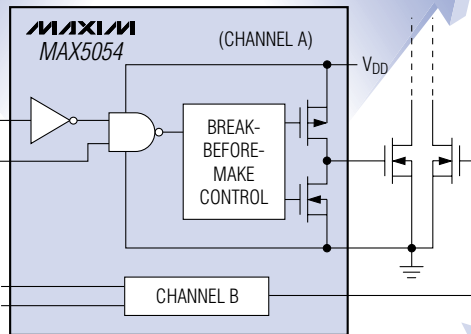
## HIGHEST PERFORMANCE

- ✓ ◆ 4A Peak Source/Sink Current
- ✓ ◆ 2ns Propagation-Delay Matching Between Channels
- ✓ ◆ Low 20ns Propagation Delay with Better than  $\pm 10$ ns Matching from Part to Part
- ◆  $V_{DD}$  Operates from 4V to 15V, Withstands 18V Transients
- ✓ ◆ Up to 15V Logic Input Regardless of  $V_{DD}$  Voltage

✓ Better than competition.

## THERMALLY ENHANCED

- ✓ ◆ Guaranteed Operation at  $-40^{\circ}\text{C}$  to  $+125^{\circ}\text{C}$  Ambient Temp Range
- ✓ ◆ Package with Exposed Pad Dissipates Up to 2W at  $70^{\circ}\text{C}$  Ambient



## SMALLEST SIZE

- ✓ ◆ 8-TDFN Package
- ✓ ◆ 3mm x 3mm Footprint, under 1mm Height
- ◆ 44% Smaller than Competitor A's LLP Package
- ◆ 71% Smaller than Competitor B's 8-Pin SO Package



Part	Logic Input	Temp Range (°C)	Pin-Package	Price† (\$)
MAX5054AATA	$V_{DD}/2$ CMOS	-40 to +125	8-TDFN	0.82
MAX5054BATA	TTL	-40 to +125	8-TDFN	0.82

†1000-up recommended resale. Prices provided are for design guidance and are FOB USA. International prices will differ due to local duties, taxes, and exchange rates. Not all packages are offered in 1k increments, and some may require minimum order quantities.



www.maxim-ic.com

**FREE Power Supplies Design Guide—Sent Within 24 Hours!**

CALL TOLL-FREE 1-800-998-8800 (6:00 a.m.—6:00 p.m. PT)

For a Design Guide or Free Sample



Distributed by Maxim/Dallas Direct!, Arrow, Avnet Electronics Marketing, Digi-Key, and Newark.

MAXIM is a registered trademark of Maxim Integrated Products, Inc. DALLAS is a registered trademark of Dallas Semiconductor Corp. © 2004 Maxim Integrated Products, Inc. All rights reserved.