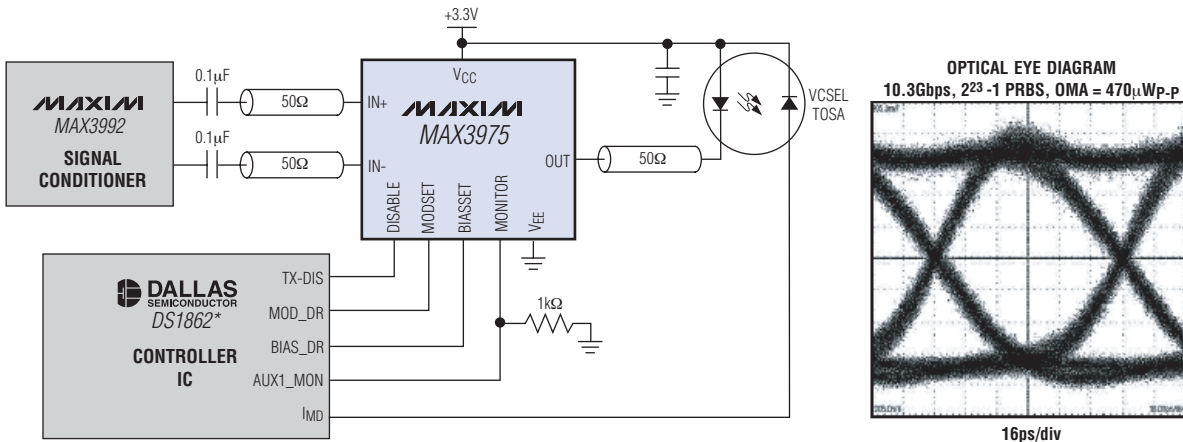


TINY 2.5mm x 2.5mm 10.7Gbps VCSEL DRIVER SAVES SPACE IN XFP MODULES

Needs No External Biasing Components

The MAX3975 3.3V VCSEL driver is ideal for 10Gbps multimode Ethernet and Fibre Channel XFP, XENPAK, XPAK, and X2 modules. The driver can be DC-coupled to the VCSEL, eliminating the need for external bias filters, and saving cost. The MAX3975 includes an output-disable function and an output current monitor. The MAX3975 is packaged in a tiny 2.5mm x 2.5mm UCSP™.



- ◆ 3.3V Power Supply
- ◆ 1.5mA to 10mA Bias Current
- ◆ 28ps Edge Transition Times
- ◆ 8ps Deterministic Jitter
- ◆ 3mA to 12mA Modulation Current
- ◆ 0.35psRMS Random Jitter
- ◆ DC Coupled Output
- ◆ 0°C to 85°C Operation

Part	Description	Temperature Range (°C)	Data Rate (Gbps)	Package	Price† (\$)
MAX3975UBA	10.7Gbps VCSEL Driver	0 to +85	10.7	20-UCSP (2.5mm x 2.5mm)	10.00

†50k-up recommended resale. Prices provided are for design guidance and are FOB USA. International prices will differ due to local duties, taxes, and exchange rates. Not all packages are offered in 1k increments, and some may require minimum order quantities.

UCSP is a trademark of Maxim Integrated Products, Inc.

*Future product—contact factory for availability.



www.maxim-ic.com

FREE Fiber Design Guide—Sent Within 24 Hours!

CALL TOLL FREE 1-800-998-8800 (6:00 a.m.–6:00 p.m. PT)

For a Design Guide or Free Sample



Distributed by Maxim/Dallas Direct!, Arrow, Avnet Electronics Marketing, Digi-Key, and Newark.

The Maxim logo is a registered trademark of Maxim Integrated Products, Inc. The Dallas Semiconductor logo is a registered trademark of Dallas Semiconductor Corp.

© 2004 Maxim Integrated Products, Inc. All rights reserved.