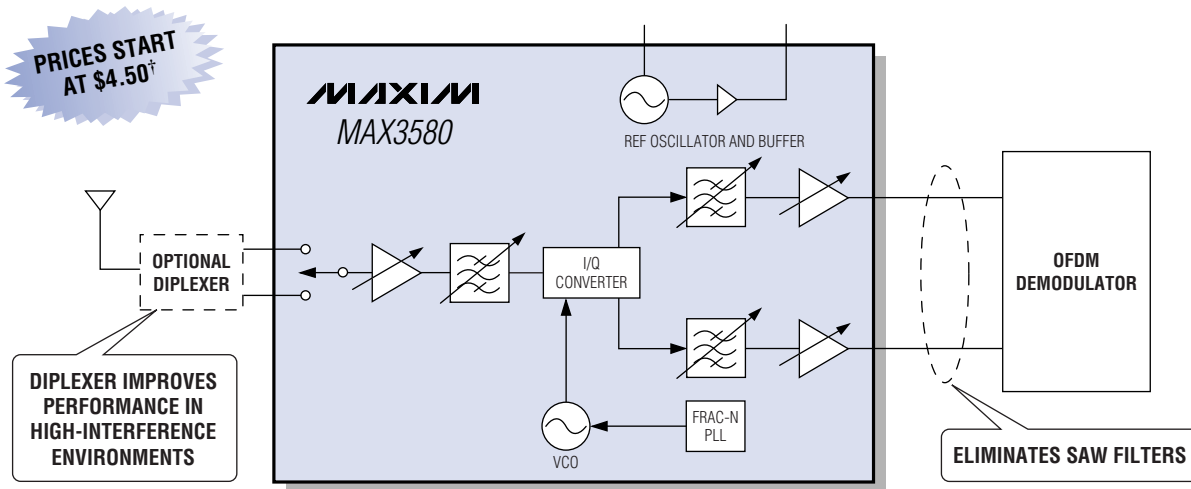


ZERO-IF TV TUNER ELIMINATES ALL SAW FILTERS

Supports DVB-T (Europe), ISDB-T 13 Segment (Japan), and DMB-T/H (China)

The MAX3580 is a low-power, zero-IF (ZIF) tuner for digital TV applications. Covering both UHF and VHF-III bands, this tuner provides a separate input for each band. It also integrates an RF input switch that allows either single-input operation or the inclusion of an optional, external diplex filter, which improves RF performance. To minimize BOM, the MAX3580 utilizes ZIF architecture and integrates RF-tracking filters to eliminate the need for external SAW filters.



AUTOMOTIVE



SET-TOP BOX



USB PERIPHERAL



WIDESCREEN TELEVISION

- ◆ 650mW Power Dissipation (at $V_{CC} = 3.3V$)
- ◆ Integrated RF-Tracking Filters
- ◆ Integrated Variable-Bandwidth Channel Filter
- ◆ NorDig and MBRAI Compliant
- ◆ ZIF Architecture Eliminates Image-Rejection Concerns
- ◆ Built-In Automatic DC-Offset Correction
- ◆ -95dBm Sensitivity (NorDig QPSK 1/2)
- ◆ Operates over -40°C to +85°C Extended Temperature Range
- ◆ Small, 5mm x 5mm, 32-Pin TQFN Package

†1000-up recommended resale. Prices provided are for design guidance and are FOB USA. International prices will differ due to local duties, taxes, and exchange rates. Not all packages are offered in 1k increments, and some may require minimum order quantities.



www.maxim-ic.com/MAX3580-info

FREE Automotive Design Guide—Sent Within 24 Hours!

CALL TOLL FREE 1-800-998-8800 (7:00 a.m.–5:00 p.m. PT) for a Design Guide or Free Sample



Distributed by Maxim Direct, Arrow, Avnet Electronics Marketing, Digi-Key, and Newark.
The Maxim logo is a registered trademark of Maxim Integrated Products, Inc.
© 2007 Maxim Integrated Products, Inc. All rights reserved.