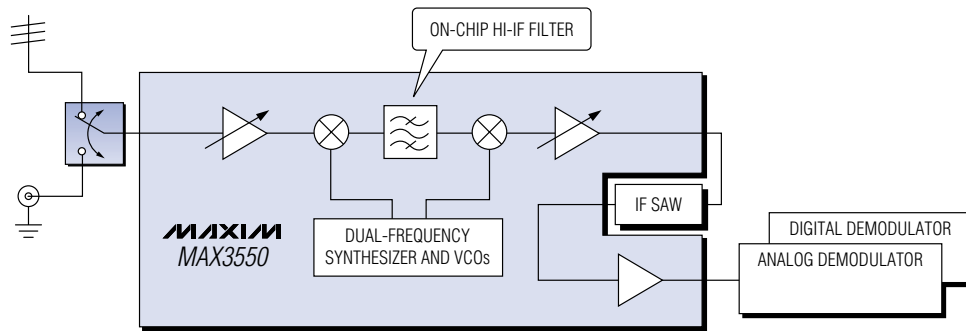


WORLD'S MOST HIGHLY INTEGRATED SILICON TV TUNER MEETS DUAL, DIGITAL AND ANALOG PERFORMANCE REQUIREMENTS

Dual-Conversion MAX3550 Has Integrated On-Chip High-IF Filter, RF and IF AGC, and All-Frequency Generation Circuitry

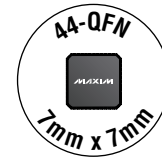
The MAX3550/MAX3551/MAX3553 are silicon tuners that meet the demanding requirements of digital cable and terrestrial set-tops, Open-Cable™ set-tops and TVs, and any television receiver requiring a compact, low-cost solution.



- ◆ Greater than 60dBc Image Rejection and Intermodulation Products Provide Superior Analog Signal Quality
- ◆ Small Size and Low Number of External Components Shrinks Multi-tuner Set-Top Boxes
- ◆ Meets DVB-C, DVB-T, and Open Cable Specifications
- ◆ Fully Integrated Frequency Generation—No External Tank Circuits

Multiple Versions Fit All Applications

Part	IF Frequency (MHz)	Command Interface
MAX3550	44	3-wire
MAX3551	44	I ² C™
MAX3553	36	I ² C™



Open-Cable is a trademark of CableLabs.
I²C is a trademark of Philips Corp.

Purchase of I²C components of Maxim Integrated Products, Inc., or one of its sublicensed Associated Companies, conveys a license under the Philips I²C Patent Rights to use these components in an I²C system, provided that the system conforms to the I²C Standard Specification as defined by Philips.



www.maxim-ic.com

FREE Fiber Design Guide—Sent Within 24 Hours!

CALL TOLL-FREE 1-800-998-8800 (6:00 a.m.—6:00 p.m. PT)

For a Design Guide or Free Sample



Distributed by Maxim/Dallas Direct!, Arrow, Avnet Electronics Marketing, Digi-Key, and Newark.

MAXIM is a registered trademark of Maxim Integrated Products, Inc. DALLAS is a registered trademark of Dallas Semiconductor Corp. © 2004 Maxim Integrated Products.