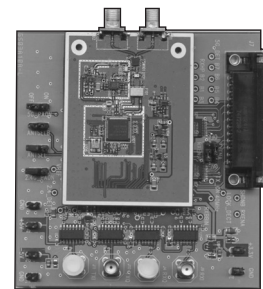
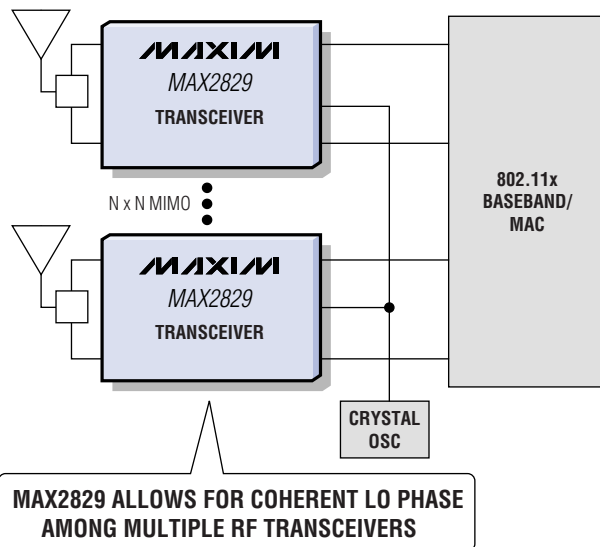


FIRST 802.11a/g, DUAL-BAND RF TRANSCEIVER WITH BUILT-IN 802.11n MIMO SUPPORT

Pre-802.11n Compatibility for 20MHz and 40MHz Channels

MULTIPLE-INPUT, MULTIPLE-OUTPUT (MIMO) RADIO ARCHITECTURE FOR 802.11n OR SMART ANTENNA SYSTEMS



MAX2829's standard I/Q interface is compatible with most baseband chips. Full RF front-end reference-design board (shown above) is available for fast system evaluation.

Coming Soon:
Low-power 802.11g transceiver with on-chip PA/switch/xtal osc and 802.11a/g transceiver. Optimized for embedded smartphone/PDA/handheld applications.

MAX2829 Offers Best-in-Class 802.11a/g RF Performance

Features	Units	802.11g	802.11a
World-band frequency coverage	GHz	2.4 to 2.5	4.9 to 5.9
High I/Q phase and amplitude accuracy	deg	± 0.5 phase	± 0.4 phase
	dB	± 0.1 magnitude	± 0.1 magnitude
Low receiver noise figure	dB	3.5	4.5
High Rx linearity (out-of-band IP3 at max gain)	dBm	-10	-15
High Tx output	dBm	-2.5	-5
High adjacent-channel blocker level	dBm	-30	-35

NO CALIBRATION REQUIRED

EXCELLENT INTERFERENCE IMMUNITY TO BLUETOOTH®, CORDLESS PHONES, AND OTHER WLANs

Bluetooth is a registered trademark of Bluetooth SIG, Inc.



www.maxim-ic.com

FREE Wireless Design Guide—Sent Within 24 Hours!

CALL TOLL FREE 1-800-998-8800 (6:00 a.m.–6:00 p.m. PT)

For a Design Guide or Free Sample



Distributed by Maxim/Dallas Direct!, Arrow, Avnet Electronics Marketing, Digi-Key, and Newark.

The Maxim logo is a registered trademark of Maxim Integrated Products, Inc. The Dallas Semiconductor logo is a registered trademark of Dallas Semiconductor Corp.

© 2004 Maxim Integrated Products, Inc. All rights reserved.