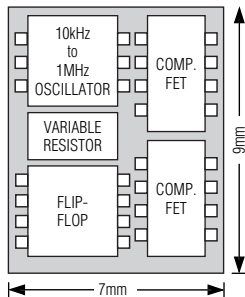


# SIMPLIFY 3W ISOLATED POWER DESIGNS

Minimize Component Count and Reduce Size by 50% with Industry's First Integrated, 3W Transformer Driver

CONVENTIONAL SOLUTION—  
FIVE ICs

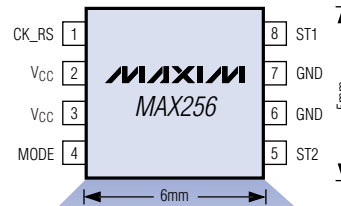


- No Undervoltage Lockout
- No Watchdog

- ◆ Up to 3W of Isolated Power
- ◆ Single +3.3V or +5V Supply
- ◆ Programmable Oscillator
- ◆ Low 15µA Shutdown
- ◆ Undervoltage Lockout (UVLO)
- ◆ External Clock Mode with Watchdog
- ◆ Available in a 5mm x 6mm, 8-Pin SO
- ◆ Priced at \$2.55<sup>†</sup>

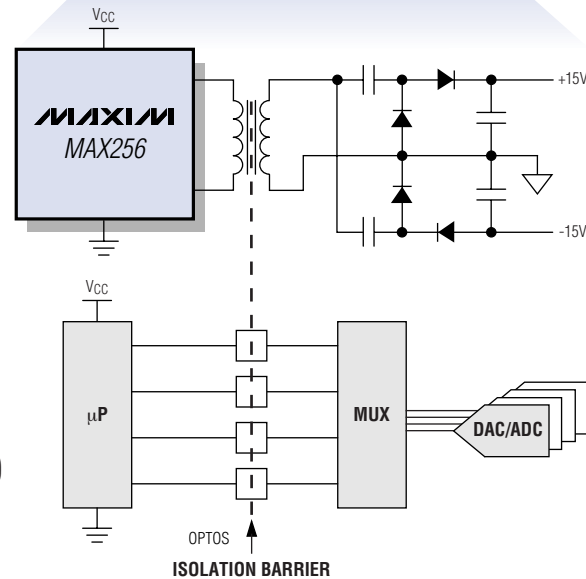
VS.

MAXIM'S SOLUTION—  
ONE IC



SAVES 33mm<sup>2</sup>  
OF BOARD  
SPACE

IDEAL SOLUTION FOR PLC SYSTEMS



<sup>†</sup>1000-up recommended resale B-grade, FOB USA. Price provided is for design guidance and is FOB USA. International prices will differ due to local duties, taxes, and exchange rates. Not all packages are offered in 1k increments, and some may require minimum order quantities.



[www.maxim-ic.com](http://www.maxim-ic.com)

**FREE Interface Design Guide—Sent Within 24 Hours!**

CALL TOLL FREE 1-800-998-8800 (7:00 a.m.–5:00 p.m. PT)

For a Design Guide or Free Sample



Distributed by Maxim/Dallas Direct!, Arrow, Avnet Electronics Marketing, Digi-Key, and Newark.

The Maxim logo is a registered trademark of Maxim Integrated Products, Inc. The Dallas Semiconductor logo is a registered trademark of Dallas Semiconductor Corp.

© 2006 Maxim Integrated Products, Inc. All rights reserved.