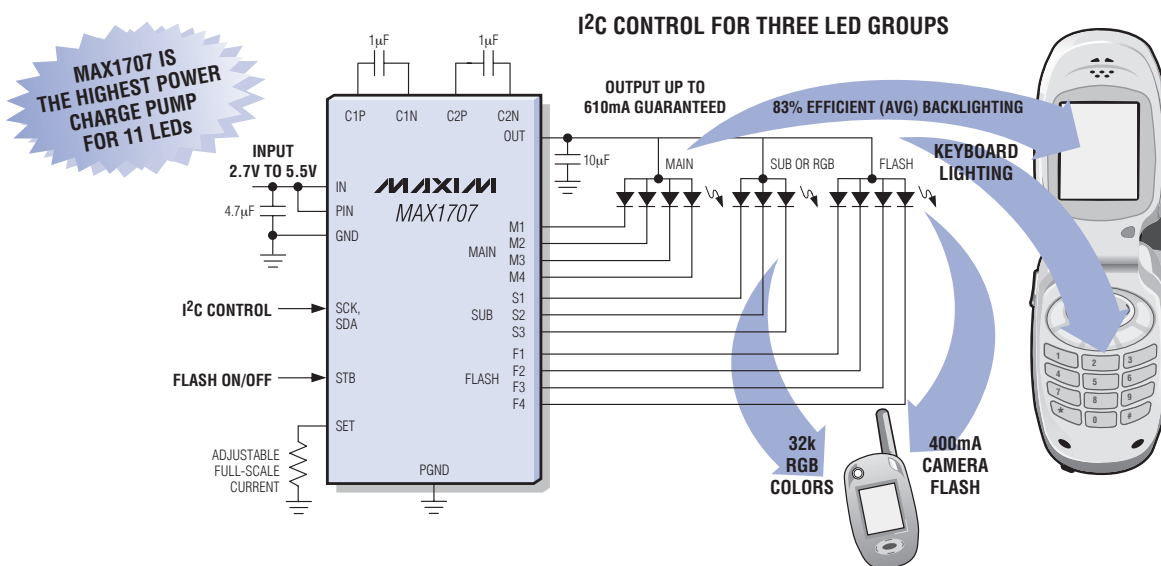


HIGHEST CURRENT I²C CHARGE PUMP FOR WLEDs

Delivers Up to 610mA for Main, Flash, and Sub/RGB Lights

The MAX1707 is the highest power light-management IC (LMIC) that uses an I²C[‡] interface to drive all the LEDs in a cell phone. It drives WLEDs with excellent current matching for main and subdisplay backlighting and camera flash. The RGB LED control provides 32k colors to render smooth color transitions. The charge pump uses proprietary adaptive 1x/1.5x/2x modes and low-dropout current regulators to drive up to seven LEDs for main and subdisplays, achieving current matching of 0.3% and up to 92% efficiency (83% average over battery life). Simultaneously, it supports up to 400mA for camera flashes using multi-LED modules or single high-brightness LEDs.



- ◆ Guaranteed 610mA Output Drive
- ◆ I²C Full Programmability
- ◆ 92% Peak (83% Avg) Efficiency (P_{LED}/P_{BATT}) over Li+ Battery Life
- ◆ 0.3% Current Accuracy
- ◆ Soft-Start Limits In-Rush Current
- ◆ Output Overvoltage Protection
- ◆ Thermal Derating Function Protects LEDs
- ◆ 4mm x 4mm, 24-Pin TQFN
- ◆ Priced at \$2.70[†]

FOR MORE WHITE-LED DRIVER INFORMATION, GO TO: www.maxim-ic.com/whiteLED

[‡]Purchase of I²C components from Maxim Integrated Products, Inc., or one of its sublicensed Associated Companies, conveys a license under the Philips I²C Patent Rights to use these components in an I²C system, provided that the system conforms to the I²C Standard Specification defined by Philips.

[†]\$2500-up recommended resale, FOB USA. Prices provided are for design guidance and are for the lowest grade, commercial temperature parts. International prices will differ due to local duties, taxes, and exchange rates. Prices are subject to change. Not all packages are offered in 1k increments, and some may require minimum order quantities.



www.maxim-ic.com

FREE Power Supplies Design Guide—Sent Within 24 Hours!

CALL TOLL FREE 1-800-998-8800 (6:00 a.m.–6:00 p.m. PT)

For a Design Guide or Free Sample



Distributed by Maxim/Dallas Direct!, Arrow, Avnet Electronics Marketing, Digi-Key, and Newark.

The Maxim logo is a registered trademark of Maxim Integrated Products, Inc. The Dallas Semiconductor logo is a registered trademark of Dallas Semiconductor Corp.

© 2005 Maxim Integrated Products, Inc. All rights reserved.