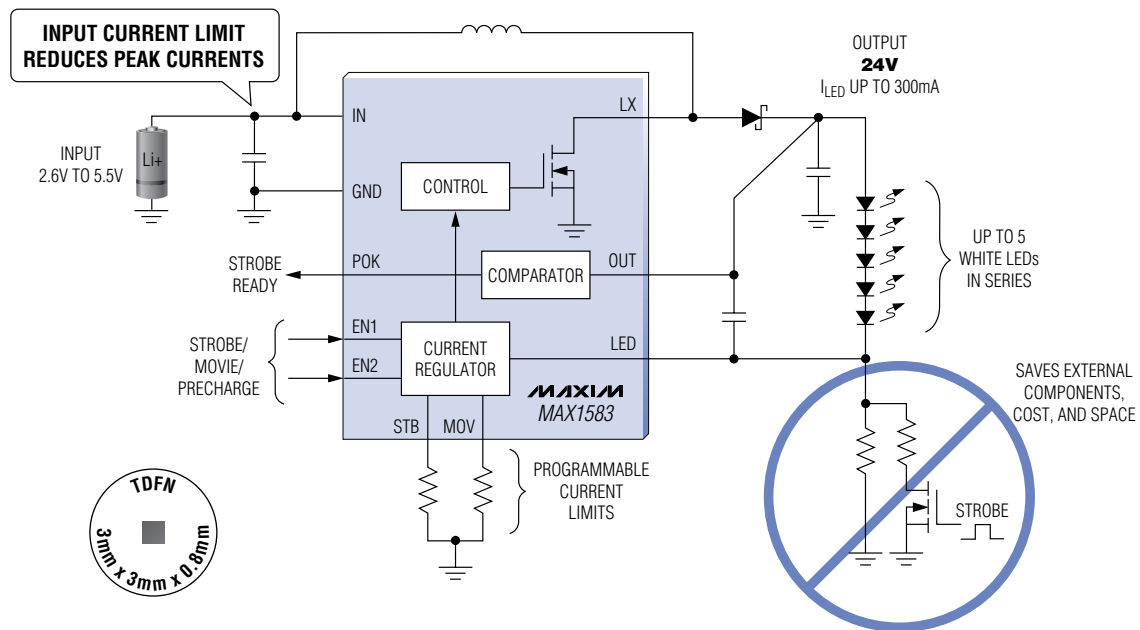


FIRST 24V, WHITE-LED FLASH/STROBE SUPPLY FOR CAMERA PHONES

Provides Movie and Strobe Currents Without External Selector Switch

The MAX1583 is the first step-up DC-DC converter for driving up to five white LEDs in series at high current. It provides camera flash-strobe power in cell phones, PDAs, and other handheld devices. The 24V step-up DC-DC converter supplies up to 300mA of programmable and regulated current. Different current-limit versions allow tradeoff between reservoir capacitor size and peak input current. Two logic inputs control four modes of operation: shutdown mode (0.5µA max); movie mode (up to 100mA); precharge mode for charging a reservoir capacitor to 24V while the LEDs are off; and strobe mode for firing the flash (up to 300mA).



- ◆ Input Current Limiting: 1A (MAX1583X); 500mA (MAX1583Y); 250mA (MAX1583Z)
- ◆ Small Inductor and Capacitors, 1MHz Switching
- ◆ Output Overvoltage Protection
- ◆ 80% Efficiency (P_{LED}/P_{IN} in Movie Mode)

- ◆ Thermal Shutdown Protection
- ◆ Evaluation Kit Available
- ◆ Priced at \$1.70[†]

FOR MORE INFORMATION ON
WHITE LED DRIVERS
PLEASE VISIT:
www.maxim-ic.com/whiteLED

[†]1000-up recommended resale. Prices provided are for design guidance and are FOB USA. International prices will differ due to local duties, taxes, and exchange rates. Not all packages are offered in 1k increments, and some may require minimum order quantities.

MAXIM

www.maxim-ic.com

FREE Power Supplies Design Guide—Sent Within 24 Hours!

CALL TOLL-FREE 1-800-998-8800 (6:00 a.m.—6:00 p.m. PT)

For a Design Guide or Free Sample

MAXIM/DALLAS
DIRECT!
DISTRIBUTION
1-888-MAXIM-IC

ARROW
ARROW ELECTRONICS, INC.
1-800-777-2776

AVNET
CILICON
1-800-332-8638

Distributed by Maxim/Dallas Direct!, Arrow, Avnet Electronics Marketing, Digi-Key, and Newark.

MAXIM is a registered trademark of Maxim Integrated Products, Inc. DALLAS is a registered trademark of Dallas Semiconductor, Corp. © 2004 Maxim Integrated Products.