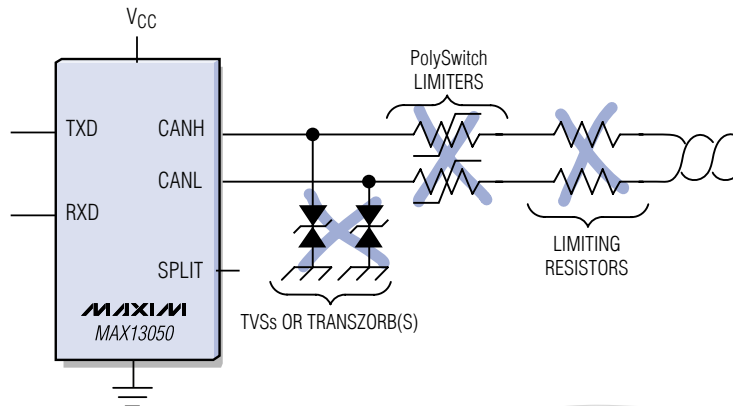


WORLD'S MOST ROBUST CAN BUS TRANSCEIVERS

Pin-for-Pin Replacements Reduce Total Solution Cost by 34%

±80V Fault and ±8kV ESD Protection Eliminate External Components

- ◆ No External Components Required
- ◆ Eliminates
 - ◆ TVSs or TRANSZORB®(s)
 - ◆ PolySwitch® Limiters
 - ◆ Limiting Resistors
 - ◆ Supply Clamps
- ◆ Save 34%* Total Solution Cost
- ◆ GIFT Qualified



Performance Upgrade to Competition Ideal for Automotive 12V/42V Mixed Voltage Systems

Parameters	MAX13050	TJA1040	MAX13052	PCA82C250	MAX13053	TJA1050	MAX13054	TLE6250
Fault Protection (V)	±80	-27 to +40	±80	-27 to +40	±80	-27 to +40	±80	±40
ESD Protection IEC Contact Discharge** (kV)	±8	—	±8	—	±8	—	±8	—
Standby Current (µA)	11	15	25	170	12.5	50	—	—
Price† (\$)	1.51	—	1.51	—	1.48	—	1.65	—

TRANSZORB is a registered trademark of Vishay Intertechnology, Inc.

PolySwitch is a registered trademark of Tyco International Ltd.

*Eliminating these components averages \$0.80 (volume of 1000 pieces), a 34% savings from typical competitive solutions at \$2.31 (1000 pieces).

**ESD per Contact Discharge Model tested by IBEE test facility. GIFT certification is available.

†1000-up recommended resale B-grade, FOB USA. Price provided is for design guidance and is FOB USA. International prices will differ due to local duties, taxes, and exchange rates. Not all packages are offered in 1k increments, and some may require minimum order quantities.

**FREE SAMPLES
AVAILABLE NOW! VISIT:
www.maxim-ic.com/samples**



www.maxim-ic.com

FREE Automotive Design Guide—Sent Within 24 Hours!

CALL TOLL FREE 1-800-998-8800 (6:00 a.m.–6:00 p.m. PT)

For a Design Guide or Free Sample



Distributed by Maxim/Dallas Direct!, Arrow, Avnet Electronics Marketing, Digi-Key, and Newark.

The Maxim logo is a registered trademark of Maxim Integrated Products, Inc. The Dallas Semiconductor logo is a registered trademark of Dallas Semiconductor Corp.

© 2005 Maxim Integrated Products, Inc. All rights reserved.