

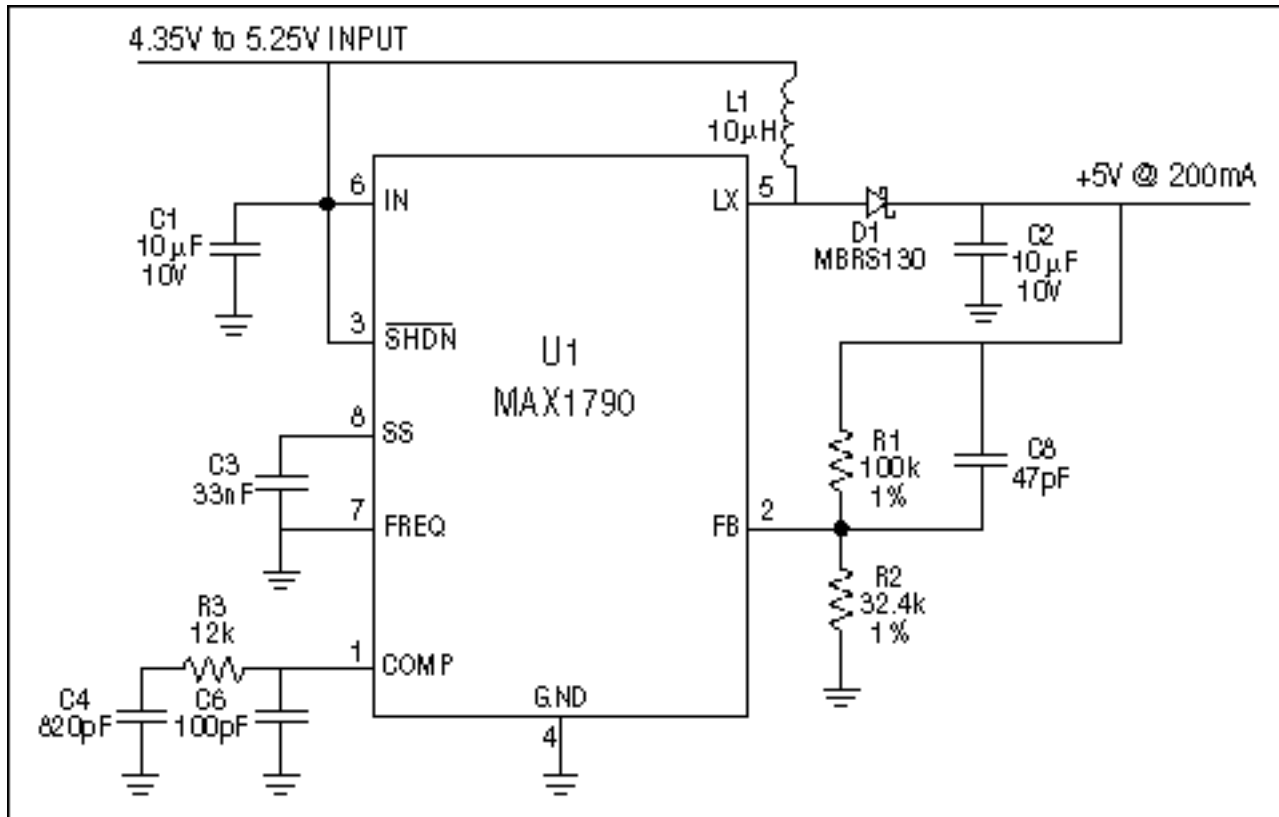
APPLICATION NOTE 477

## All-Ceramic 200mA Step-Up Converter for USB

### Additional Information:

- [Quick View Data Sheet for the MAX1790](#)
- [Samples and Literature Order Form](#)
- [Technical Support: Power](#)

A USB-powered device is constrained to draw no more than 0.5A from the input supply. The input-supply voltage must be re-regulated to provide  $+5V \pm 5\%$ . Efficiency is paramount in order to maximize the power available from the port. In addition, this application can be implemented with all-ceramic capacitors for lowest profile and high availability. This MAX1790 circuit delivers +5V at 200mA from +4.35V input with > 90% efficiency.



Application Note 477: [www.maxim-ic.com/an477](http://www.maxim-ic.com/an477)

### More Information

For technical support: [www.maxim-ic.com/support](http://www.maxim-ic.com/support)

For samples: [www.maxim-ic.com/samples](http://www.maxim-ic.com/samples)

Other questions and comments: [www.maxim-ic.com/contact](http://www.maxim-ic.com/contact)

### **Automatic Updates**

Would you like to be automatically notified when new application notes are published in your areas of interest?  
[Sign up for EE-Mail™.](#)

---

### **Related Parts**

MAX1790: [QuickView](#) -- [Full \(PDF\) Data Sheet](#) -- [Free Samples](#)

AN477, AN 477, APP477, Appnote477, Appnote 477  
Copyright © by Maxim Integrated Products  
Additional legal notices: [www.maxim-ic.com/legal](http://www.maxim-ic.com/legal)