



Maxim > Design Support > Technical Documents > Reference Designs > Display Drivers > APP 4669
Maxim > Design Support > Technical Documents > Reference Designs > LED Lighting > APP 4669
Maxim > Design Support > Technical Documents > Reference Designs > Power-Supply Circuits > APP 4669

Keywords: LED driver IC, boost, converter, high voltage LED string, step-up, driver, ceramic capacitors, high-dimming ratio, streetlight, garage lighting

Jun 28, 2010

REFERENCE DESIGN 4669 INCLUDES: ✓Tested Circuit ✓Schematic ✓BOM ✓Board Available ✓Description ✓Test Data ✓Layout

112W Boost Driver for Long Strings of LEDs Using All Ceramic Capacitors

By: Jim Christensen, Strategic Applications Engineer

Jun 28, 2010

Abstract: This reference design uses the MAX16834 to create a high-powered LED driver for a very long string(s) of LEDs. The LED current is adjustable with a potentiometer, and can be set as high as 1.5A into as many as 20 LEDs (75V total). For long life, ceramic capacitors are used for both input and output decoupling.

This is a reference design for a 112.5W boost LED driver that uses the [MAX16834](#) for long strings of LEDs. These long LED strings are commonly found in streetlights and parking garage lights.

Input voltage: 24VDC \pm 5% (at 1.49A)

V_{LED} configuration: Two parallel strings. Each string consists of 19 WLEDs and a 5 Ω resistor for current balancing. Current is 750mA per sting for a total of 1.5A into 75V.

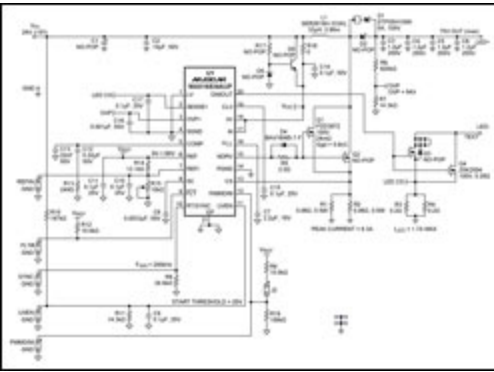
Dimming: 50 μ s (min) on-pulse for up to a 200:1 dimming ratio with a 100Hz dimming frequency

Note: this design has been built and tested. However, detailed testing has not occurred and there may be nuances that have yet to be discovered.



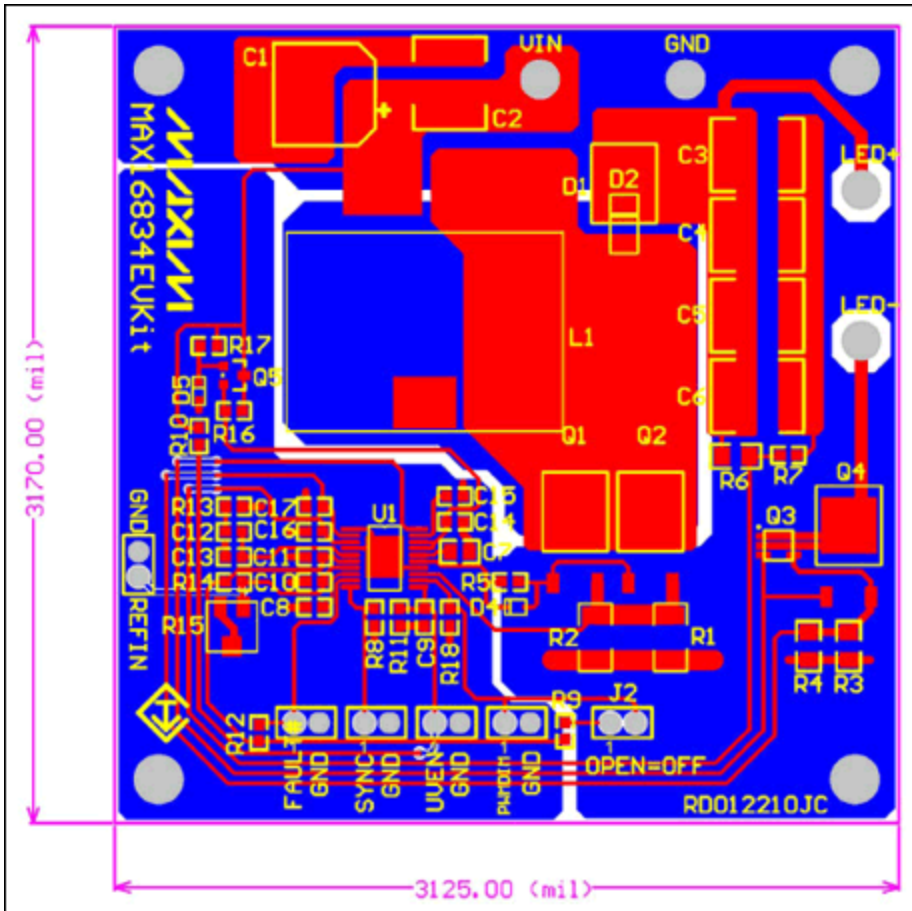
[More detailed image \(PDF, 7.6MB\)](#)

Figure 1. The LED driver board.



More detailed image (PDF, 290kB)

Figure 2. Schematic of the LED driver.



More detailed image (PDF, 913kB)

Figure 3. Layout of the LED driver.

Component list

Source Data From:

RD012210JC.PrjPCB

Project:

MAX16834 EVKit, 2 Layer, 24VIN, VLED=75V, ILED=1.5A

Variant:

None

#	Designator	LibRef	Comment	Footprint	Quantity	Notes
1	C1	CAPACITOR - POLARIZED	No pop	CAPACITOR - PANASONIC G	1	
2	C2	CAPACITOR - NONPOLARIZED	10uF,50V,X7R	2225	1	
3	C3, C4, C5, C6	CAPACITOR - NONPOLARIZED	1.2uF,250V,X7R	2225	4	
4	C7	CAPACITOR - NONPOLARIZED	2.2uF,16V,X7R	0805	1	
5	C8	CAPACITOR - NONPOLARIZED	0.0033uF,50V,X7R	0603	1	
6	C9, C10, C11, C15, C17	CAPACITOR - NONPOLARIZED	0.1uF,25V,X7R	0603	5	
7	C12	CAPACITOR - NONPOLARIZED	0.15uF,50V,X7R	0603	1	
8	C13	CAPACITOR - NONPOLARIZED	22nF,50V,X7R	0603	1	
9	C14	CAPACITOR - NONPOLARIZED	0.1uF,50V,X7R	0603	1	
10	C16	CAPACITOR - NONPOLARIZED	0.001uF,50V,X7R	0603	1	
11	D1	DIODE - SCHOTTKY D-PAK	STPSSH100K	TO-252 D-PAK	1	
12	D2	DIODE - SCHOTTKY	No pop	SMA	1	
13	D4	DIODE	BAV16WS-7-F	SOD323	1	
14	D5	DIODE - ZENER	no-pop	SOD-523	1	
15	FLT#, J2, PWM DIM, SYNC, UVEN, REFIN	CONNECTOR - 2X1	CONNECTOR - 2X	HEADER - 100MIL 1X2	5	
16	GND, LED+, LED-, VIN	TERMINATION 1 VIA	61137-1	HOLE - 1.77MM	4	
17	L1	INDUCTOR	SER2918H-333KL	INDUCTOR - COLCRAFT SER2900	1	
18	Q1	MOSFET - N CHANNEL	FDO3872	TO-252 D-PAK	1	
19	Q2	MOSFET - N CHANNEL	No pop	TO-252 D-PAK	1	
20	Q3	MOSFET - N TSSOP-6	No pop	SOT23-6	1	
21	Q4	MOSFET - N CHANNEL	25K2504	TO-252 D-PAK	1	
22	Q5	TRANSISTOR - NPN	no-pop	SOT23-3	1	
23	R1, R2	RESISTOR	0.06,0.5W	2010	2	
24	R3, R4	RESISTOR	0.20,0.25W	1206	2	
25	R5	RESISTOR	2.0	0603	1	
26	R6	RESISTOR	820K	1206	1	
27	R7, R11	RESISTOR	14.3K	0603	2	
28	R8	RESISTOR	24.9K	0603	1	
29	R9, R12	RESISTOR	10.0K	0603	2	
30	R10	RESISTOR	187K	0603	1	
31	R13	RESISTOR	332	0603	1	
32	R14	RESISTOR	12.1K	0603	1	
33	R15	RESISTOR - ADJUSTABLE	10K	POTENTIOMETER - BOURNS 3314J	1	
34	R16	RESISTOR	0	0603	1	
35	R17	RESISTOR	no-pop	0603	1	
36	R18	RESISTOR	100K	0603	1	
37	U1	MAX16834AUP	MAX16834AUP	TSSOP20-EP	1	

[More detailed image \(PDF, 1.7MB\)](#)

Figure 4. Bill of materials.

Basic Boost Converter Design

Spreadsheet is protected but can be changed to unprotected (no password)

Maxim Integrated Products

Legend:					Maxim Integrated Products					
Input Values In Blue -- Adjust to match the circuit					Output Values In Yellow -- Read Only					
Inputs	Symbol	MIN	TYP	MAX	UNITS	Outputs	Symbol	MIN	MAX	UNITS
Input Voltage	V_{IN}	21.60		26.40	V					
Assumed Efficiency (except diode)	η		0.94							
Output LED Voltage	V_{LED}		75.00		V					
Output Current	I_O			1.500	A					
Inductor Ripple Current Ratio	LIR			0.450						
Output Diode Voltage Drop	V_D	0.30		0.70	V					
Switching Frequency	f_O		200.00		KHz					
Acceptable Output Voltage Ripple	V_{ORP}			1.00	V					
Current Sense Resistor	R_{CS}		0.003		Ω					
						Duty Cycle	DC	0.649	0.732	
						On Time	T_{ON}	3.247	3.658	μsec
						Off Time	T_{OFF}	1.342	1.753	μsec
						Minimum value of inductance	L_{MIN}	31.4		μH
Inductance Value Chosen	L	26.4	33	39.6	μH	L average current	I_{Lavg}		5.589	A
Series Resistance of L	R_L		0.0029		Ω	L Pk-Pk ripple current	I_{Lpp}	2.993	3.247	A
						L peak current	I_{Lpk}		7.086	A
						L valley current	I_{Lval}		4.093	A
						L RMS current	I_{Lrms}		5.656	A
						L Power Dissipation	P _L		0.091	W
						MOSFET RMS current	I_{MOSrms}		4.838	A
						MOSFET peak current	I_{MOSpk}		7.086	A
						MOSFET peak voltage	V_{MOSpk}		75.700	V
						R_{CS} peak voltage	V_{RCSpk}		0.021	V
						R_{CS} ramp voltage	$V_{RCSramp}$		0.009	V
						Slope compensation needed	SC		0.863	
						Slope compensation voltage	V_{SC}		0.008	V
						R_{CS} pk voltage incl. slope comp.	V_{RCSpk}		0.029	V
						Output capacitor RMS current	I_{COURms}		2.477	A
						Output cap value (minimum)	C_{OUT}		5.487	μF

More detailed image (PDF, 1.3MB)

Figure 5. Design spreadsheet provides peak and RMS currents in the MOSFET and inductor. To get the spreadsheet for use in your design, contact your local Maxim sales office.

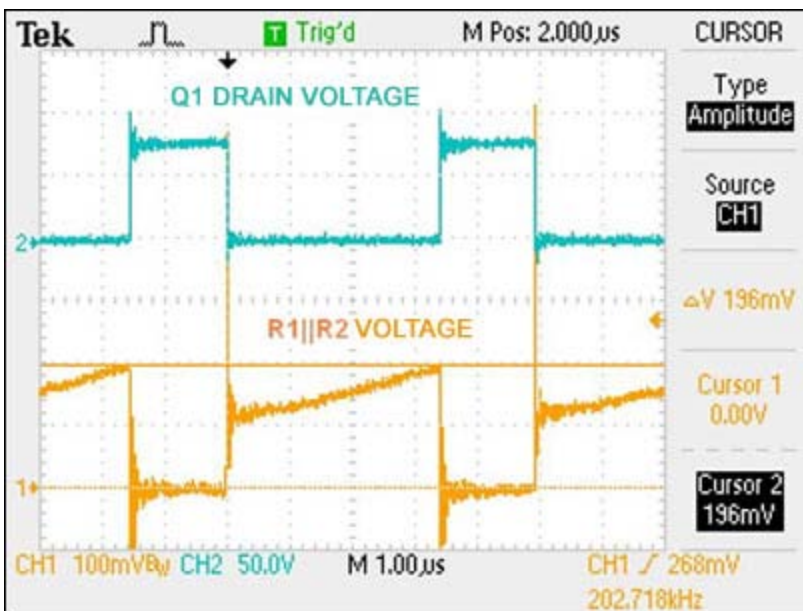


Figure 6. Switching MOSFET voltage and current-sense resistor voltage.

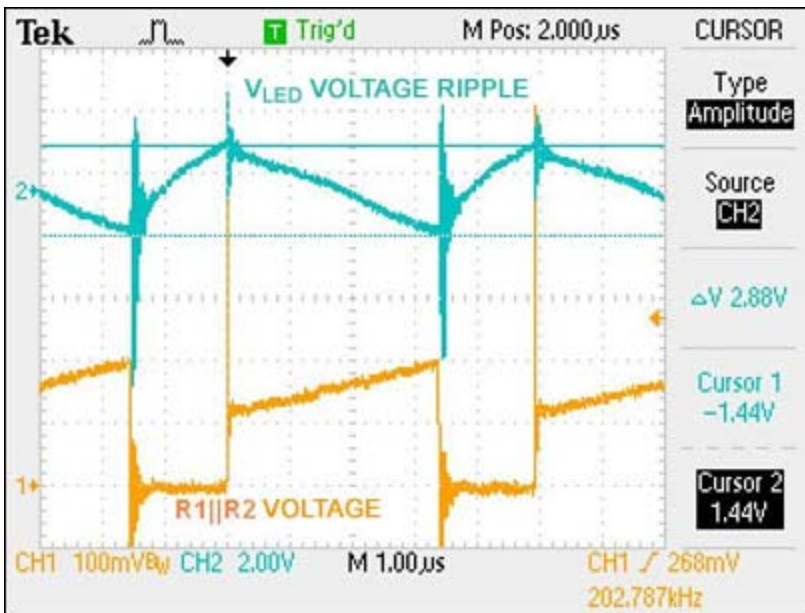


Figure 7. Output voltage (AC coupled) and switching MOSFET current-sense resistor voltage.

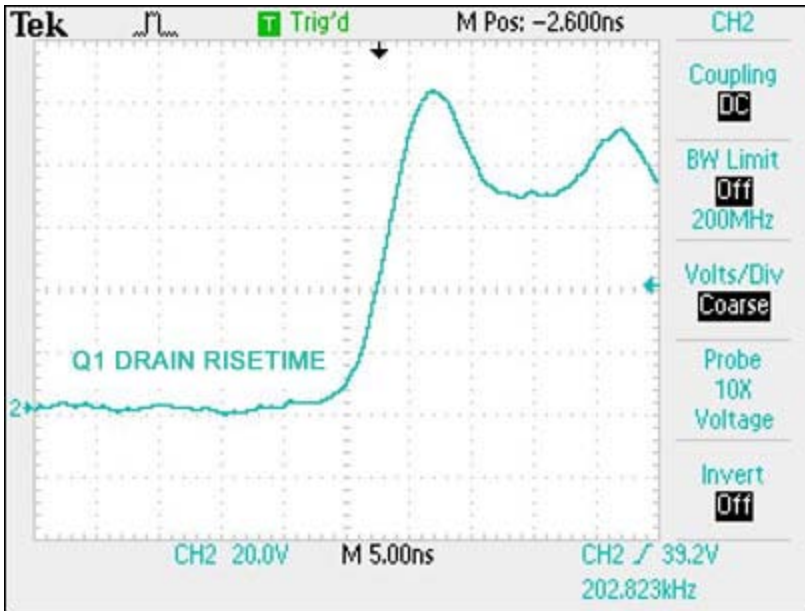


Figure 8. Drain voltage risetime.

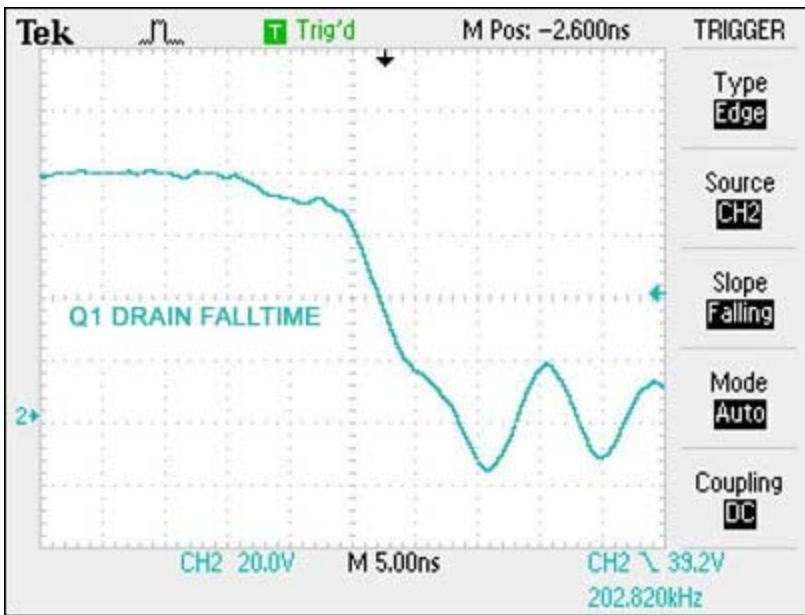


Figure 9. Drain voltage falltime.

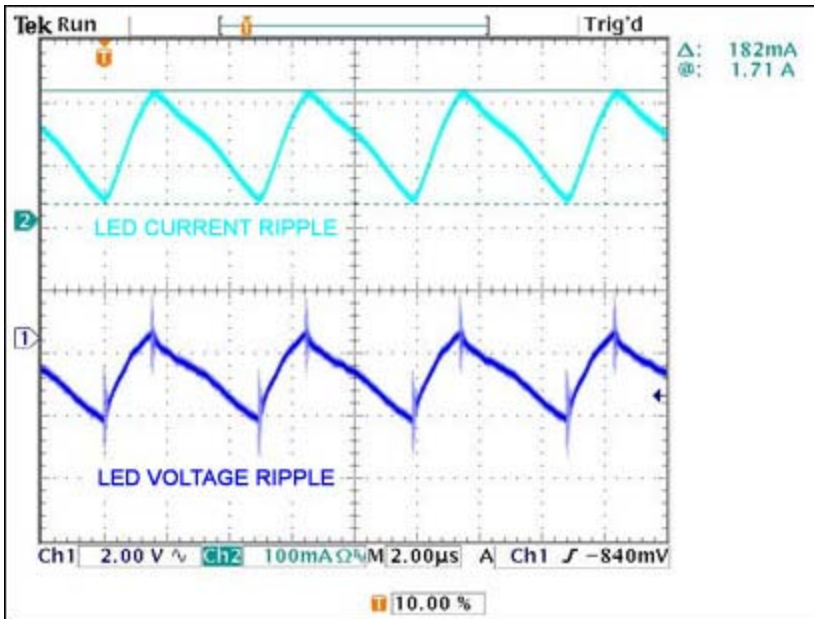


Figure 10. LED voltage (AC coupled) and current ripple.

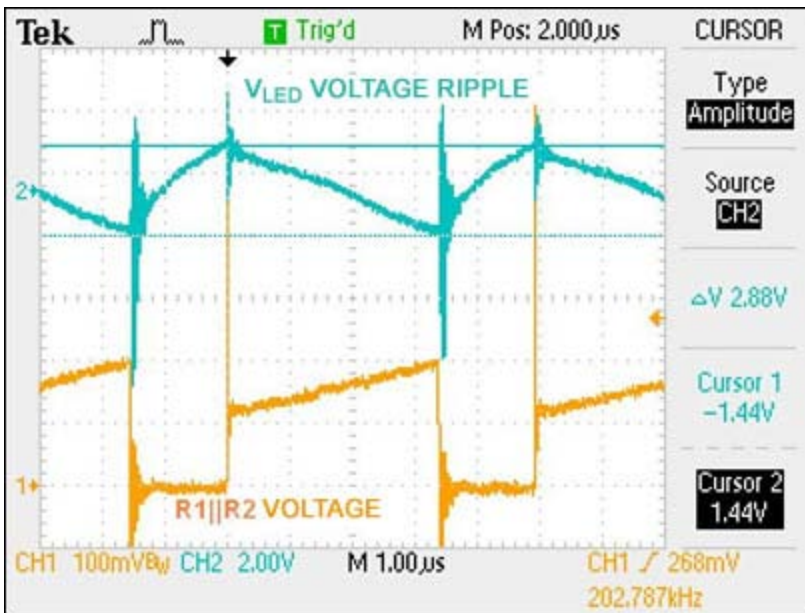


Figure 11. LED voltage (AC coupled) and MOSFET current-sense voltage.

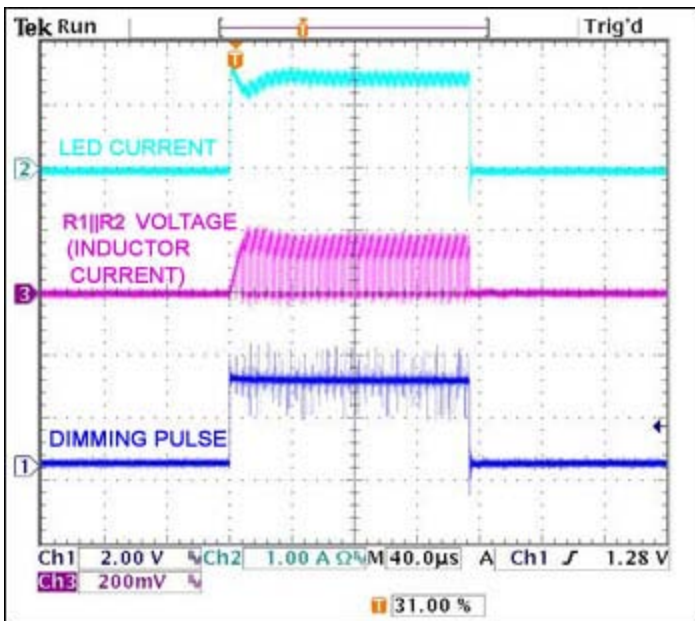


Figure 12. Dimming pulse of ~150µs.

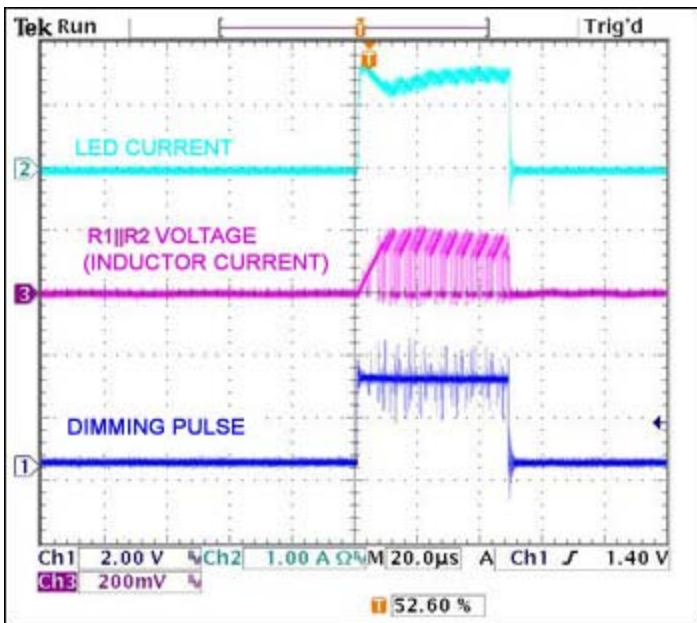


Figure 13. Dimming pulse of $\sim 50\mu\text{s}$.

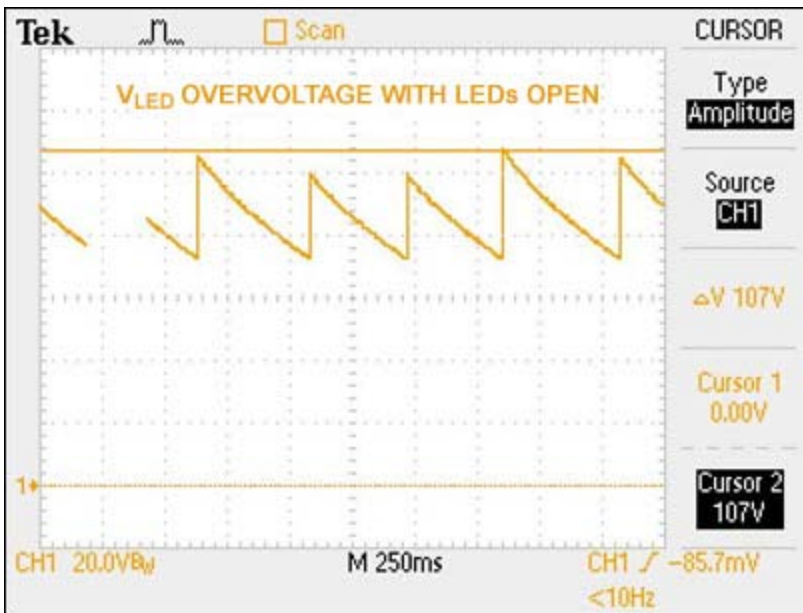


Figure 14. OVP with open LED string.

Inductor Core & Winding Loss Calculator

Step 1,2,3 Enter the **operating conditions** *(all fields required)*

Frequency kHz IL rms max Amps Δ IL peak-peak Amps

Results *(estimated)*

	Inductor 1	Inductor 2	Inductor 3	Inductor 4
	<u>SER2918H-333</u>			
	\$1.99 each at 1,000 qty.			
<u>Total inductor loss</u>	<input type="text" value="313"/> mW	<input type="text"/> mW	<input type="text"/> mW	<input type="text"/> mW
<u>Inductor core loss</u>	<input type="text" value="197"/> mW	<input type="text"/> mW	<input type="text"/> mW	<input type="text"/> mW
<u>DCR loss</u>	<input type="text" value="116"/> mW	<input type="text"/> mW	<input type="text"/> mW	<input type="text"/> mW
<u>AC winding loss</u>	<input type="text" value="1"/> mW	<input type="text"/> mW	<input type="text"/> mW	<input type="text"/> mW
<u>Temperature rise</u>	<input type="text" value="7"/> °C	<input type="text"/> °C	<input type="text"/> °C	<input type="text"/> °C

This loss calculator is intended to provide the best possible estimate of inductor losses over a range of frequencies, load currents and ripple currents. Actual performance may vary based on operating conditions and should always be verified experimentally for each application.

Figure 15. Predicted inductor temperature rise. The calculator is available from Coilcraft® design support tools.

Circuit Description

Overview

This reference design is for a high-voltage boost current source for very long strings of LEDs. Applications that use long LED strings include, but are not limited to, streetlights and parking garage lights. Long LED strings can be a very cost-effective way to drive LEDs. Also, since the LEDs will have exactly the same current, brightness variations are nicely controlled. This design has a 24V input, up to a 75V LED output, and drives 1.5A through the LED string (or strings, if paralleled). The measured input power is 115.49W and the output power is 111.6W for an efficiency of about 96.6%.

PCB

The printed circuit board (PCB) is a general-purpose two-layer board for MAX16834 boost designs (**Figures 1 and 3**). Some PCB features are optional and not populated in the tested design; they are indicated on the schematic (**Figure 2**) as "no-pop." The layout uses a ground island below the IC that is single point connected to the power ground for low-noise operation. The design also uses the TSSOP version of the IC, since many streetlight manufacturers will not have the equipment to properly solder the alternate package, a TQFN. **Figure 4** shows a Bill of Materials for this design.

Topology

This design is for a 200kHz continuous-boost regulator. In **Figure 5** the spreadsheet printout shows the RMS and peak currents in the MOSFET and inductor. Continuous designs have the advantage of lower MOSFET and inductor currents. However, since current flows through the output diode (D2) when the MOSFET (Q1) turns on, the reverse recovery losses in the output diode result in higher dissipation and possibly higher turn-off noise. Inspecting the circuit waveforms in **Figure 6**, you can see that the on-time of the MOSFET is about 3.4 μ s and the off-time is about 1.5 μ s for a 69% duty cycle. Once the MOSFET turns off, the drain voltage rises to the output voltage plus a Schottky diode drop.

MOSFET Drive

Because of the continuous design, the peak MOSFET and inductor currents are less than what they would be with a discontinuous design. However, since there is current through the MOSFET during turn-on and turn-off, the MOSFET experiences switching losses during both transitions. The MAX16834 drives the MOSFET hard enough for the switch to turn on in about 5ns and turn off in 10ns (**Figures 8 and 9**), thus keeping the temperature rise low. If EMI becomes a problem, change the series resistor, R5, on the MOSFET gate to adjust the switching times. If this action causes too much power dissipation, place a second MOSFET, Q2, in parallel with Q1 to reduce the temperature rise.

Output Capacitance

For the input and output capacitance, the driver uses ceramic capacitors. Ceramic capacitors are durable and small but have limited capacitance, especially with a 200V rating which this design needs. In Figure 5, the design spreadsheet indicates that the driver needs 5.4 μ F to meet the desired output ripple voltage; to reduce cost and space, this circuit uses four 1.2 μ F capacitors (4.8 μ F in total). Consequently, the output voltage switching ripple is 2.88V (**Figures 10 and 11**), resulting in a current ripple of 182mA. This is 12% of the output current, somewhat higher than the target of 10% but still acceptable.

Dimming

The MAX16834 is well suited for dimming. When the PWMDIM (pin 12) goes low, three things happen. First, the gate drive (NDRV, pin 15) of the switching MOSFET, Q1, goes low. This prevents the delivery of additional energy to the LED string. Secondly, the gate drive (DIMOUT, pin 20) of the dimming MOSFET, Q4, goes low, immediately curtailing the LED string current and holding the voltage on the output capacitors constant. Finally, to keep the compensation capacitance at a steady-state voltage, the COMP (pin 5) goes to high impedance. This ensures that the IC will start at the correct duty cycle immediately after PWMDIM returns high. Each of these actions allows for short PWM on-times, and thus, fairly high dimming ratios.

The main limitation to short on-times is the charge-up time of the inductor. Looking at **Figures 12 and 13**, you see that the current follows the DIM pulse very well. There is decay at the beginning of the current pulse which is due to the ramp-up time of the inductor (about 12 μ s or roughly 2–3 switching cycles). Looking at the waveforms, you see that it takes about 40 μ s to 50 μ s for the voltage to fully recover and settle. If the DIM on-pulse is any shorter than 50 μ s, the output voltage would still be in deficit at the start of the next off pulse. This can cause erratic behavior that will persist until the DIM duty cycle is increased. **Therefore, under full load (1.5A), the DIM on-pulse should never be less than 50 μ s.** This implies that at a DIM frequency of 100Hz, the dimming ratio is 200:1. The only way to reduce the minimum on-pulse requirement is to increase the output capacitance, which is expensive and not usually needed for general lighting. If you reduce the LED current, the minimum on-time will drop and the dimming ratio can be increased. Ceramic capacitors exhibit a piezoelectric effect and there is some audible noise during dimming. However, with proper circuit-board mounting techniques, you can minimize the noise.

OVP

In **Figure 14**, the LED string is opened and the overvoltage protection (OVP) circuitry of the MAX16834 shuts down the driver for about 400ms between retry attempts. The peak voltage of 107V is higher than the design of 83V because of overshoot, caused by the low-output capacitance and the energy stored in the inductor.

Adjustments and Various Other Inputs and Outputs

R15 is a linear potentiometer that can adjust the LED current to any level between 0A and 1.7A. The MAX16834 has an input (SNYC) for synchronizing the switching frequency of the controller, if needed. The UVEN input allows external control of the driver (On/Off). A low-impedance source on the REFIN input overrides the potentiometer setting and allows control of the driver current. For example, a buffered DAC in a microcontroller can control the LED current using REFIN. The FLT# output goes low during the presence of a fault

(such as OVP). Once the fault is removed, the signal returns high; it does not latch.

Temperature Rise

The measured efficiency was 96.63% ($V_{IN} = 24.01V$; $I_{IN} = 1.49A$; $P_{IN} = 115.49W$; $V_{LED} = 74.9V$; $I_{LED} = 1.49A$; $P_{OUT} = 111.60W$). Due to the high efficiency of the circuit, the components of the driver remain cool. The hottest component is the dimming MOSFET, Q4, which has a temperature rise of 41°C. This temperature rise is due principally to the small PCB footprint, and can be improved if the copper area around the drain pad is increased. The inductor, which is large, has a temperature rise of 23°C, higher than the predicted 7°C (**Figure 15**). It is likely that the inductor absorbs some of the MOSFET heat, since they both share the same large copper pad.

Temperature Measurements

The following temperatures were measured using actual LED loads:

V_{IN} :	24VDC	
Ambient:	16°C	ΔT
L ₁ :	39°C	23°C
D ₁ :	51°C	35°C
Q ₁ :	51°C	35°C
Q ₃ :	57°C	41°C
IC:	33°C	17°C

Power-Up Procedure

1. Attach a string of up to 20 LEDs between the LED+ post and LED- post with an ammeter in series to measure the current. (**Note:** parallel strings can be used if the forward voltages of the LEDs are matched and/or series balancing resistors are added.)
2. Attach a 24V, 6A power supply between the V_{IN} post and GND post.
3. Insert a shunt on connector J2.
4. Turn on the 24V power supply.
5. Adjust R15 to set the current from 0 to 1.5A.
6. If dimming is desired, attach a PWM signal (0V to 3.3V) between the DIM IN post and GND post.
7. Adjust the PWM duty cycle as desired to obtain dimming.

Coilcraft is a registered trademark of Coilcraft, Incorporated.

Related Parts

MAX16834	High-Power LED Driver with Integrated High-Side LED Current Sense and PWM Dimming MOSFET Driver	Free Samples
--------------------------	---	------------------------------

More Information

For Technical Support: <http://www.maxim-ic.com/support>

For Samples: <http://www.maxim-ic.com/samples>

Other Questions and Comments: <http://www.maxim-ic.com/contact>

Application Note 4669: <http://www.maxim-ic.com/an4669>

REFERENCE DESIGN 4669, AN4669, AN 4669, APP4669, Appnote4669, Appnote 4669

