

APPLICATION NOTE 3375

DS3984/DS3988 Transformer Turns Ratio Selection

Abstract: The DS3984 and DS3988 are multichannel cold-cathode fluorescent lamp (CCFL) controllers. The key variable in designing an optimal system with the DS3984 and DS3988 is the selection of the transformer turns ratio. This application note describes how the transformer turns ratio varies with different CCFL lamps and DC supply voltages and it provides a quick look-up table to help the user quickly select a transformer turns ratio that will work well in their design.

The [DS3984](#) and [DS3988](#) are multi-channel cold-cathode fluorescent lamp (CCFL) controllers. These controllers use a push-pull drive to convert a DC supply voltage to the high-voltage AC waveform that is required to power the CCFL lamps. **Figure 1** details this arrangement.

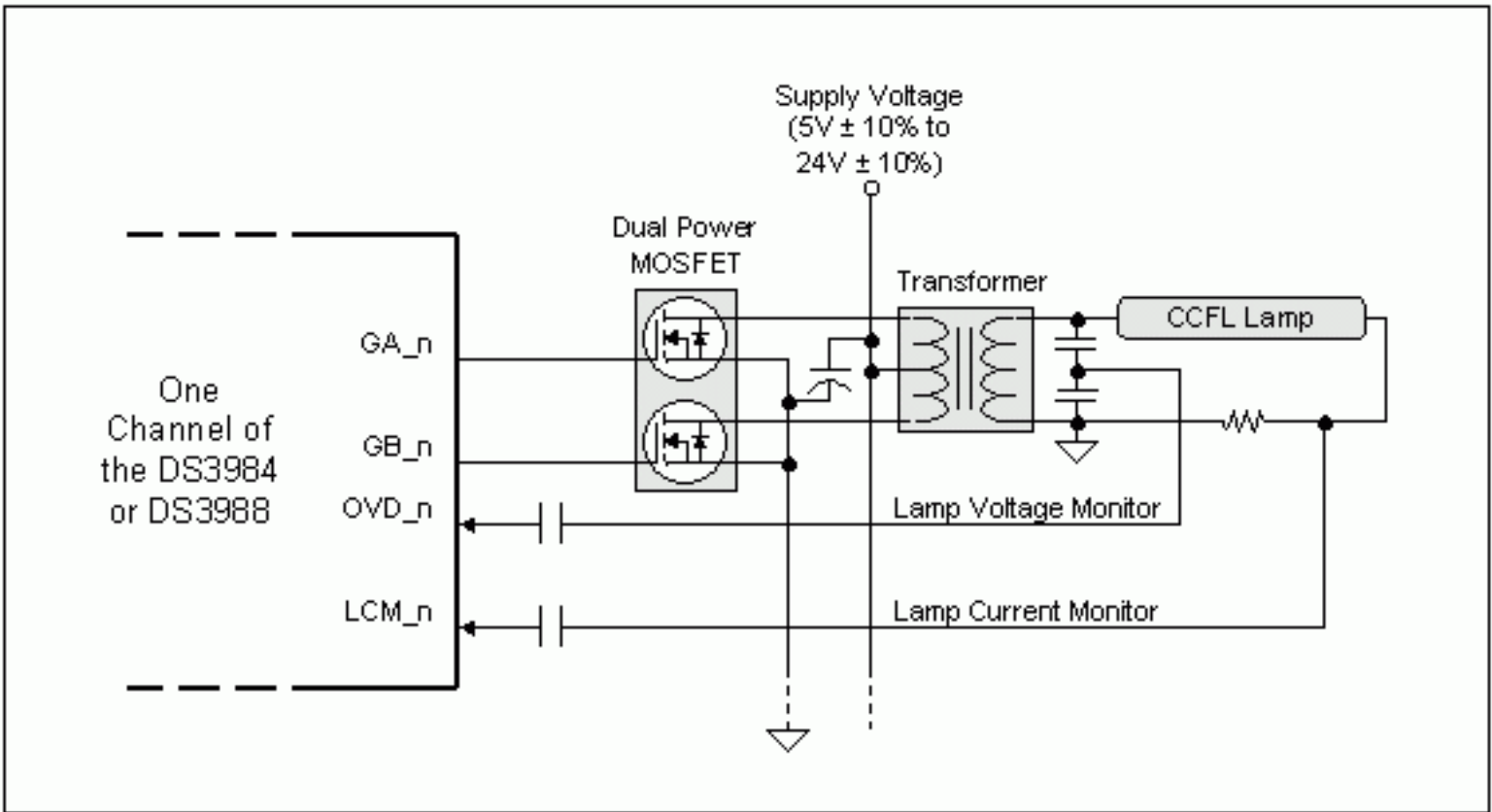


Figure 1. DS3984/DS3988 CCFL drive schematic.

Each channel of the controller drives two logic-level n-channel MOSFETs that are tied between the ends of a step-up transformer and ground. The transformer has a center tap on the primary that is connected to the DC supply. The controller alternately turns on the two MOSFETs to create the high-voltage AC waveform on the secondary.

The key variable in designing a push-pull drive scheme is selecting the turns ratio for the transformer. At a given regulated lamp operating current, the transformer turns ratio is directly proportional to the CCFL lamp voltage and inversely proportional to the DC supply voltage as shown in the equation below.

$$\text{Lamp Operating Voltage} \propto \text{transformer} \times \text{DC Supply Voltage}$$

For a given DC supply voltage, higher operating voltage CCFL lamps require a higher transformer turns ratio. For

a particular CCFL lamp, a higher DC supply voltage will require a lower transformer turns ratio. The operating voltage of CCFL lamps varies, based on a number of factors including lamp diameter and length. Lamps with smaller diameters and longer lengths operate at higher voltages.

There is not an exact formula for calculating the transformer turns ratio. **Table 1** lists some empirically derived transformer turns ratio for a variety of CCFL lamps. As can be seen from the table, the transformer turns ratio decreases as the DC supply voltage increases, and the transformer turns ratio decreases as the operating voltage of the CCFL lamps decreases.

Table 1. Target Transformer Turns Ratios for Various CCFL Lamps

Nominal DC Supply Voltage ¹	Lamp 1 2.4mm x 438mm 830 ~ 890 V _{RMS} ²	Lamp 2 2.2mm x 258mm 540 ~ 600 V _{RMS} ²	Lamp 3 2.0mm x 218mm 440 ~ 490 V _{RMS} ²
5V	80:1	70:1	65:1
6V	75:1	65:1	60:1
7V	70:1	60:1	55:1
8V	65:1	65:1	50:1
9V	60:1	50:1	45:1
10V	55:1	45:1	40:1
11V	50:1	40:1	36:1
12V	45:1	36:1	32:1
13V	40:1	32:1	30:1
14V	38:1	30:1	28:1
15V	36:1	28:1	26:1
16V	34:1	26:1	25:1
17V	32:1	25:1	24:1
18V	30:1	24:1	23:1
19V	29:1	23:1	22:1
20V	28:1	22:1	21:1
21V	27:1	21:1	20:1
22V	26:1	20:1	19:1
23V	25:1	19:1	18:1
24V	24:1	18:1	17:1

Notes:

1. Assumes ±10% supply variation.
2. Lamp operating voltage at 5mA_{RMS} operating current.

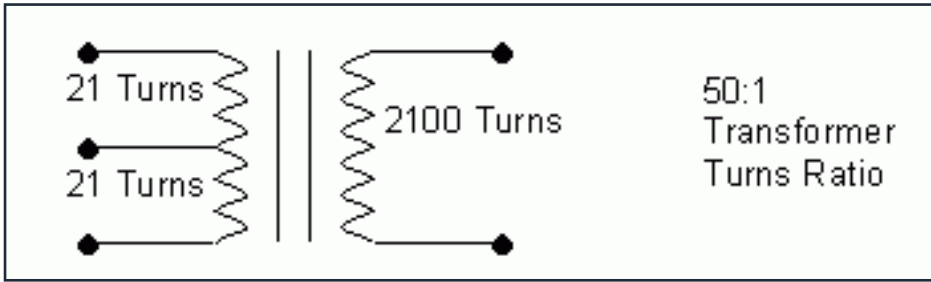
Users can select the proper turns ratio by using Table 1 as a guide. For example, to select the transformer turns ratio to drive a CCFL lamp with a nominal operating voltage of 800V with a 24V supply, first use Table 1 to locate the target transformer turns ratio for a comparable lamp. The 2.4mm x 438mm lamp listed in Table 1 most closely matches the target lamp so a target 24:1 turns ratio would be selected. The actual turns ratio can vary by ±15% since the controller will automatically adjust to match the lamp.

Design Hint: When estimating the transformer turns ratio, it is always advisable to keep the turns ratio slightly high. The controller can make adjustments for a transformer turns ratio that is slightly too high by reducing the MOSFET duty cycle but a transformer turns ratio that is too low may not allow the lamp to strike.

Once a transformer turns ratio is selected, it should be tested with the target lamp over the operating DC supply voltage range and temperature range. The resulting nominal duty cycles at the MOSFET gate driver pins (GA and GB) should be measured. A well matched lamp to transformer design will result in duty cycles in the 25% to 35% range.

Definition: Transformer Turns Ratio

This application note defines the transformer turns ratio as the number of secondary turns divided by the sum of the two primary turns. For example, a 50:1 transformer may have 2100 secondary turns with two primary windings of 21 turns each [$2100/(21+21) = 50$].



In addition to the transformer turns ratio, there are a number of other important transformer specifications that are listed in **Table 2**. See the DS3984 and DS3988 data sheets for more details.

Table 2. Key Transformer Specifications

Parameter	Test Condition	Min	Typ	Max	Unit
Frequency		40		80	kHz
Output Power				6	W
Output Current			5	8	mA _{RMS}
Primary DCR	center tap to one end		200		mΩ
Secondary DCR			500		Ω
Primary Leakage			12		μH
Secondary Leakage			185		mH
Primary Inductance			70		μH
Secondary Inductance			500		mH
Secondary Output Voltage	100ms minimum		2000		V _{RMS}
Secondary Output Voltage	continuous		1000		V _{RMS}

Application note 3375: www.maxim-ic.com/an3375

More Information

For technical support: www.maxim-ic.com/support

For samples: www.maxim-ic.com/samples

Other questions and comments: www.maxim-ic.com/contact

Automatic Updates

Would you like to be automatically notified when new application notes are published in your areas of interest? [Sign up for EE-Mail™](#).

Related Parts

DS3881: [QuickView](#) -- [Full \(PDF\) Data Sheet](#)

DS3882: [QuickView](#) -- [Full \(PDF\) Data Sheet](#)

DS3984: [QuickView](#) -- [Full \(PDF\) Data Sheet](#) -- [Free Samples](#)

DS3988: [QuickView](#) -- [Full \(PDF\) Data Sheet](#) -- [Free Samples](#)

DS3992: [QuickView](#) -- [Full \(PDF\) Data Sheet](#) -- [Free Samples](#)

DS3994: [QuickView](#) -- [Full \(PDF\) Data Sheet](#) -- [Free Samples](#)

AN3375, AN 3375, APP3375, Appnote3375, Appnote 3375

Copyright © by Maxim Integrated Products

Additional legal notices: www.maxim-ic.com/legal