

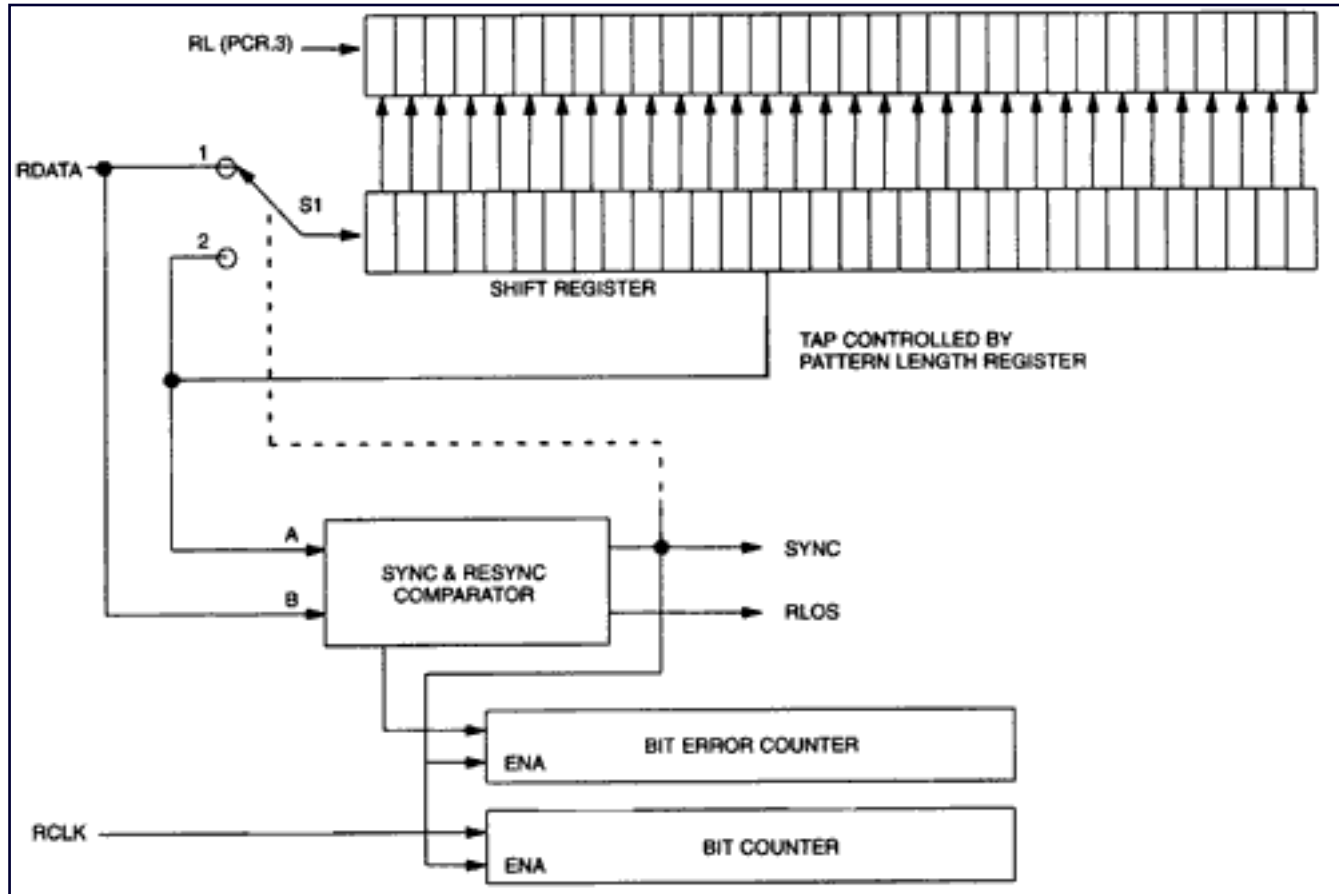
APPLICATION NOTE 332

DS2172 Simplified Receiver Operation

Abstract: DS2172 Bit Error Rate Tester (BERT) simplified receiver operation during repetitive pattern mode.

Operation During Repetitive Pattern Mode

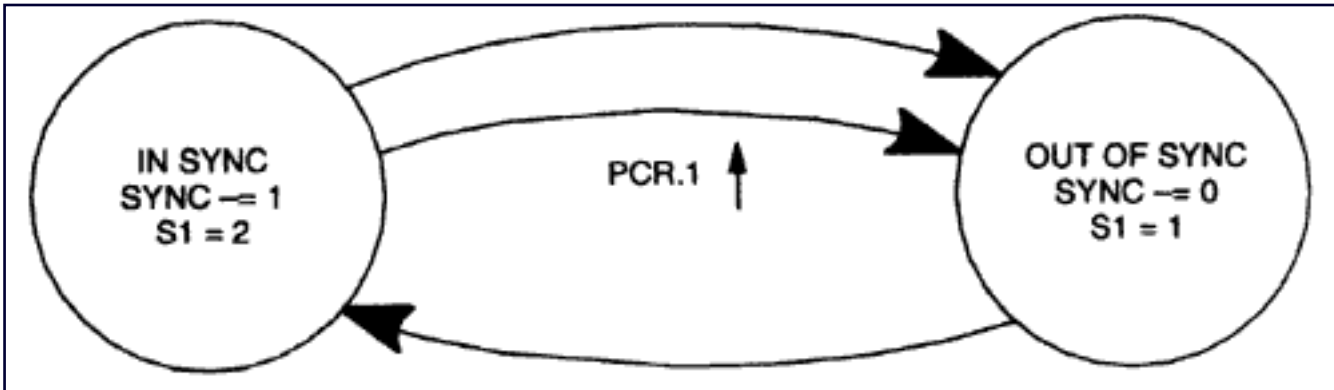
PATTERN RECEIVE REGISTERS



Notes:

1. All receive circuitry disabled when $RDIS = 1$.
2. Clocks not shown for clarity.

6 OUT OF 64 BITS IN ERROR
ALL A & B AND PCR 2-0



32 CONSECUTIVE MATCHES
AT A&B

Application Note 332: <http://www.maxim-ic.com/an332>

More Information

For technical questions and support: <http://www.maxim-ic.com/support>

For samples: <http://www.maxim-ic.com/samples>

Other questions and comments: <http://www.maxim-ic.com/contact>

Related Parts

DS2172: [QuickView](#) -- [Full \(PDF\) Data Sheet](#) -- [Free Samples](#)

AN332, AN 332, APP332, Appnote332, Appnote 332

Copyright © by Maxim Integrated Products

Additional legal notices: <http://www.maxim-ic.com/legal>