

APPLICATION NOTE 3284

Digital Pots Achieve Voltage-to-Resistance Conversion

Abstract: A pair of identical digital potentiometers forms a voltage-to-resistance converter.

Voltage-to-resistance converters, sometimes needed in industrial controls and variable-bias circuits, can be difficult to implement. The simple approach of **Figure 1** builds such a converter using two digital potentiometers.

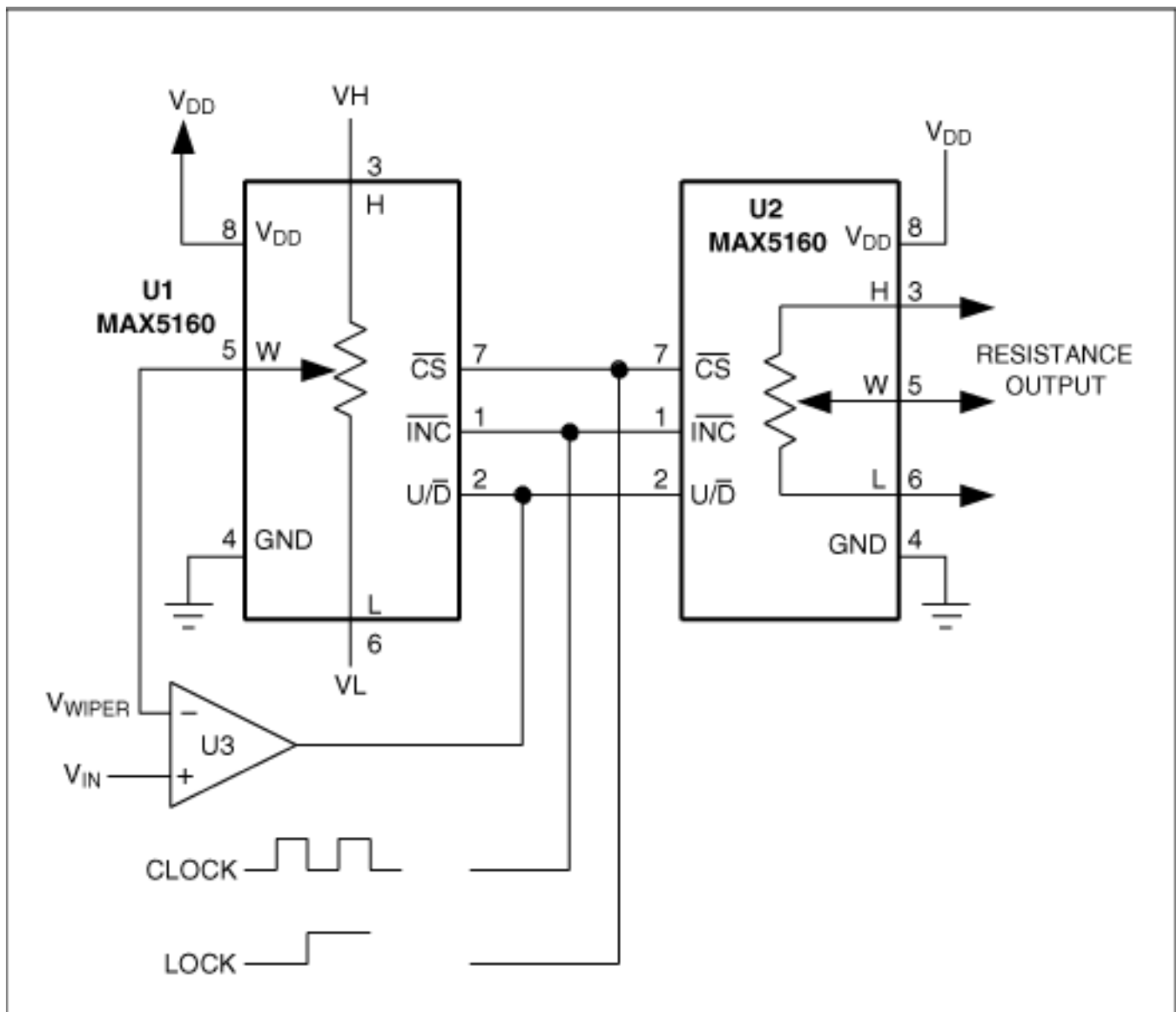


Figure 1. Two identical digital potentiometers enable this circuit to implement voltage-to-resistance conversion.

Digital potentiometer U1 and comparator U3 form a digital track-and-hold circuit in which U1 adjusts its internal voltage divider to make V_{WIPER} track V_{IN} . Wiper resistance is therefore proportional to V_{IN} . Because the digital inputs of U1 and U2 are connected together, U2's wiper position is the same as that of U1, and resistances

between corresponding terminals are the same. Thus, the output resistance is proportional to V_{IN} , as required for voltage-to-resistance conversion.

Operation of the digital track-and-hold is as follows. To track V_{IN} , the wiper (center tap) of digital potentiometer U1 moves up or down as each clock pulse arrives. Comparator U3 compares the analog input (V_{IN}) with the wiper voltage (V_{WIPER}). If $V_{IN} > V_{WIPER}$, the comparator asserts logic high, causing the wiper position to move up and increase the value of V_{WIPER} . V_{WIPER} keeps increasing until it's greater than V_{IN} , then the comparator toggles and drives the wiper position downward. On each clock cycle, the wiper moves up or down as required to track V_{IN} . Reference inputs for the voltage divider (VH and VL) set the input voltage range: if the V_{IN} range is 0V to 5VDC, set VL = GND and VH = 5VDC.

Because U1 and U2 are identical and their digital inputs are connected together, their wiper positions are the same. Applying a logic low to the LOCK input allows the output resistance to change with V_{IN} , and applying a logic high holds the resistance value indefinitely.

LOCK may be connected permanently to ground, but in that case the output resistance toggles continually between two consecutive states, even if V_{IN} is constant. For example, if the potentiometer is 10k Ω and you set the wiper to 5k Ω , the output resistance will toggle between 5k Ω and 5.3125k Ω on every clock cycle. If necessary, you can filter that effect by connecting a capacitor to the output wiper. A clock frequency between 100Hz and 10kHz is acceptable.

Output resistance does not change instantly with V_{IN} , but takes a number of clock cycles to reach its final value. The number of cycles (maximum 32) depends on the initial wiper position and the input voltage.

If higher resolution is needed, substitute a 6- or 8-bit digital potentiometer for the 5-bit model shown. Note that the MAX5160 has a power-up reset that sets the wiper position to mid-scale, thereby allowing the two digital pots to synchronize to the same resistance. Choose a digital pot that has a known state at power up.

This design idea appeared in the June 7, 2004 issue of *Electronic Design* magazine.

Application Note 3284: <http://www.maxim-ic.com/an3284>

More Information

For technical questions and support: <http://www.maxim-ic.com/support>

For samples: <http://www.maxim-ic.com/samples>

Other questions and comments: <http://www.maxim-ic.com/contact>

Related Parts

MAX5160: [QuickView](#) -- [Full \(PDF\) Data Sheet](#) -- [Free Samples](#)

AN3284, AN 3284, APP3284, Appnote3284, Appnote 3284

Copyright © by Maxim Integrated Products

Additional legal notices: <http://www.maxim-ic.com/legal>