

APPLICATION NOTE 328

# DS2141A Creating a DS/ESF Channel Service Unit

Abstract: DS2141A can be used for creating a DS/ESF Channel Service Unit. This application note has the adequate information and schematic on how to use this device DS2141A to create this Channel Service Unit.

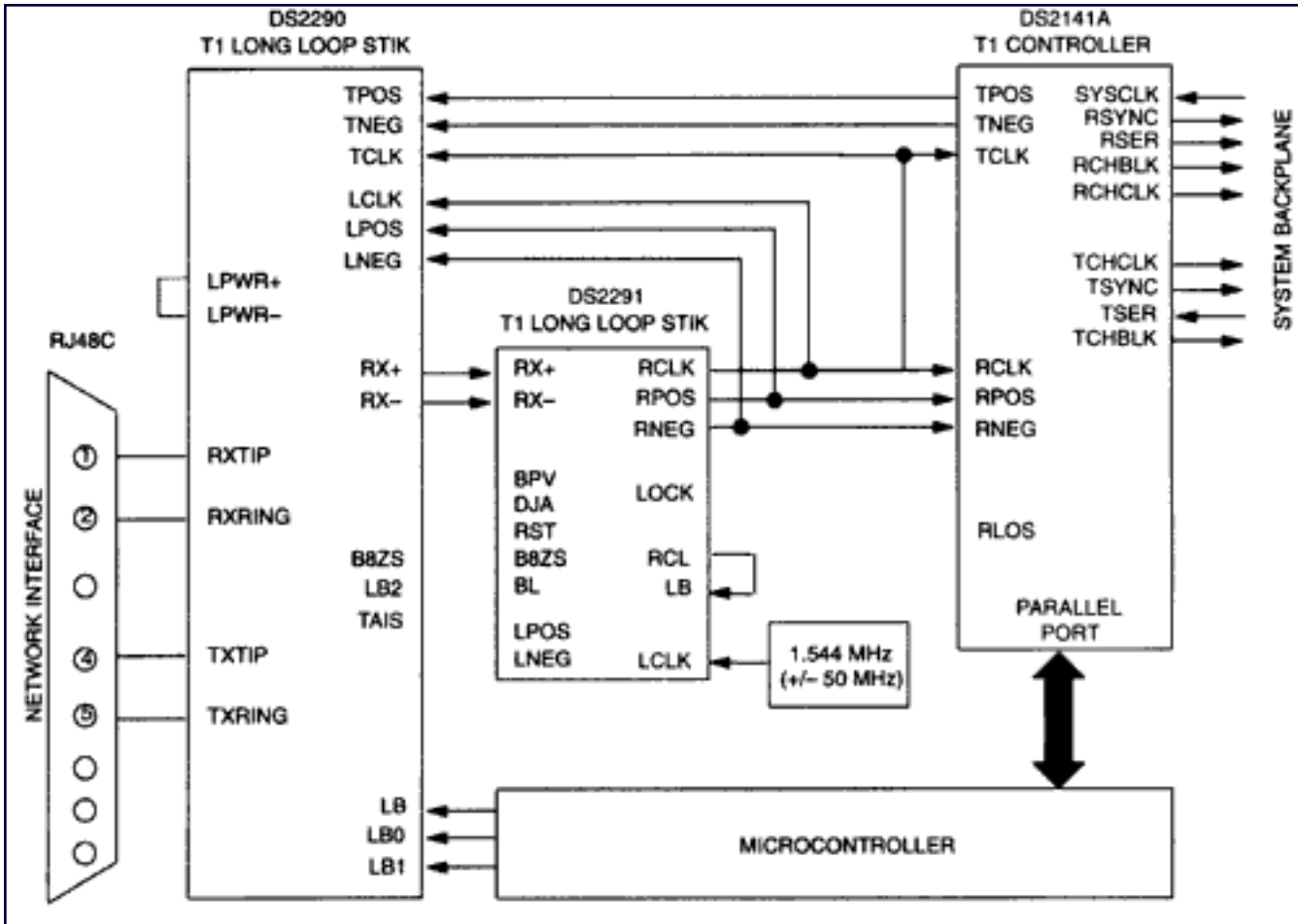


Figure 1.

## Notes:

1. This application uses "looped" timing (i.e., RCLK is tied to TCLK)
2. MHz clock source is used as a transmit clock if no signal exists on the receive side; if the DS2291 declares a carrier loss, then the source of the TCLK will be switched from the recovered clock to the locally accurate 1.544 MHz source.
3. The DS2141A will be used to detect the normal loop codes and to decode and encode the Facility Data Link (upon request, transportable C code firmware is available from Dallas Semiconductor that implements both ANSI T1.403 and AT&T TR54016).

Application Note 328: <http://www.maxim-ic.com/an328>

### **More Information**

For technical questions and support: <http://www.maxim-ic.com/support>

For samples: <http://www.maxim-ic.com/samples>

Other questions and comments: <http://www.maxim-ic.com/contact>

### **Related Parts**

DS2141A: [QuickView](#) -- [Full \(PDF\) Data Sheet](#) -- [Free Samples](#)

AN328, AN 328, APP328, Appnote328, Appnote 328

Copyright © by Maxim Integrated Products

Additional legal notices: <http://www.maxim-ic.com/legal>