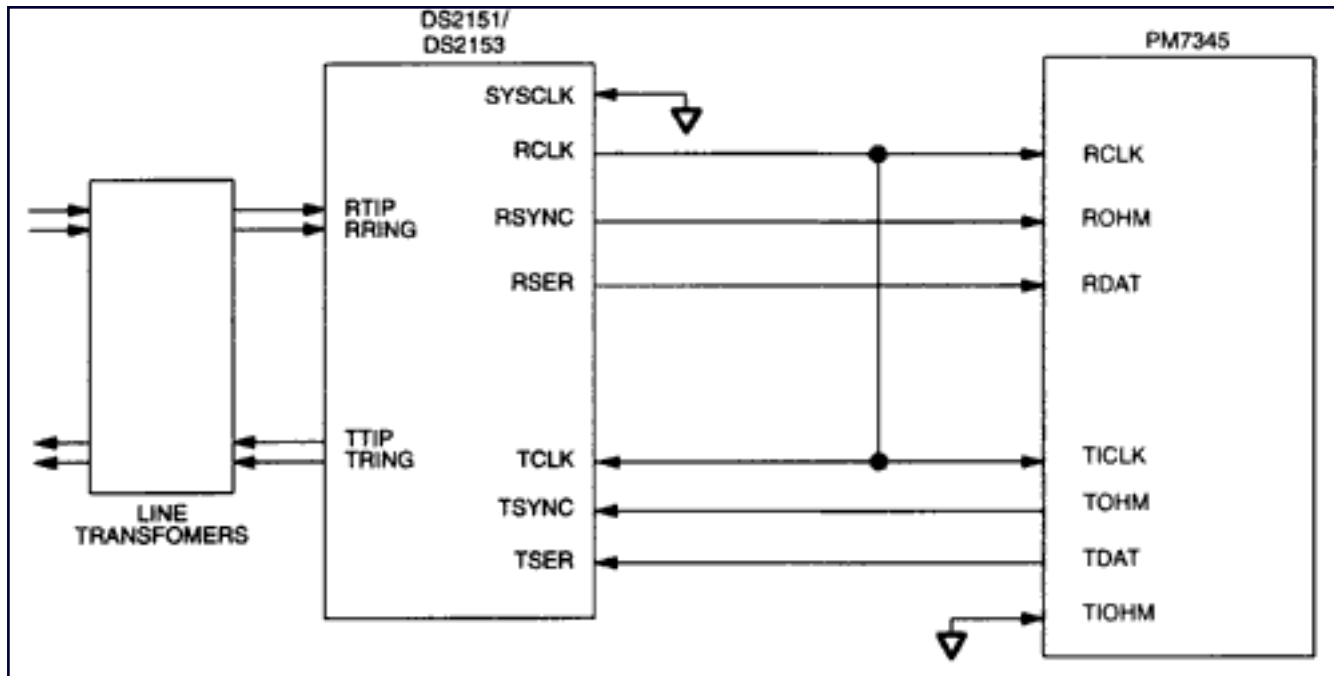


APPLICATION NOTE 316

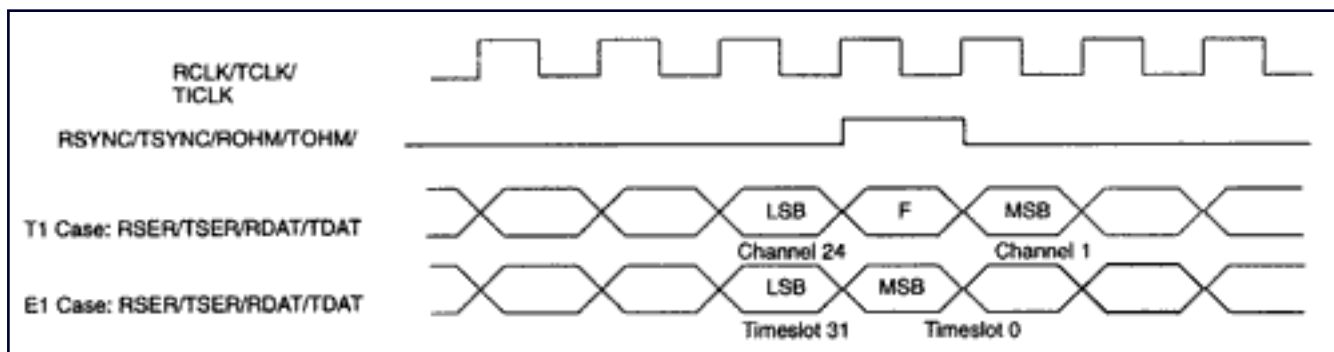
DS2151, DS2153 Interfacing to the PMC-Sierra PM7345

Abstract: This application note provides a logical diagram of the interface of the Dallas Semiconductor/Maxim DS2151 and DS2153 to the PMC-Sierra 7345.



Notes:

1. PMC device is programmed to clock data into the RDAT pin on the falling edge of RCLK.
2. PMC device is programmed to update the TDAT pin on the rising edge of TICLK.
3. RSYNC is programmed to output a frame sync; TSYNC is programmed to input a frame sync.
4. Receive and transmit elastic stores are disabled.
5. A "looped-timed" application is shown.
6. Timing is shown below:



Application Note 316: <http://www.maxim-ic.com/an316>

More Information

For technical questions and support: <http://www.maxim-ic.com/support>

For samples: <http://www.maxim-ic.com/samples>

Other questions and comments: <http://www.maxim-ic.com/contact>

AN316, AN 316, APP316, Appnote316, Appnote 316

Copyright © by Maxim Integrated Products

Additional legal notices: <http://www.maxim-ic.com/legal>