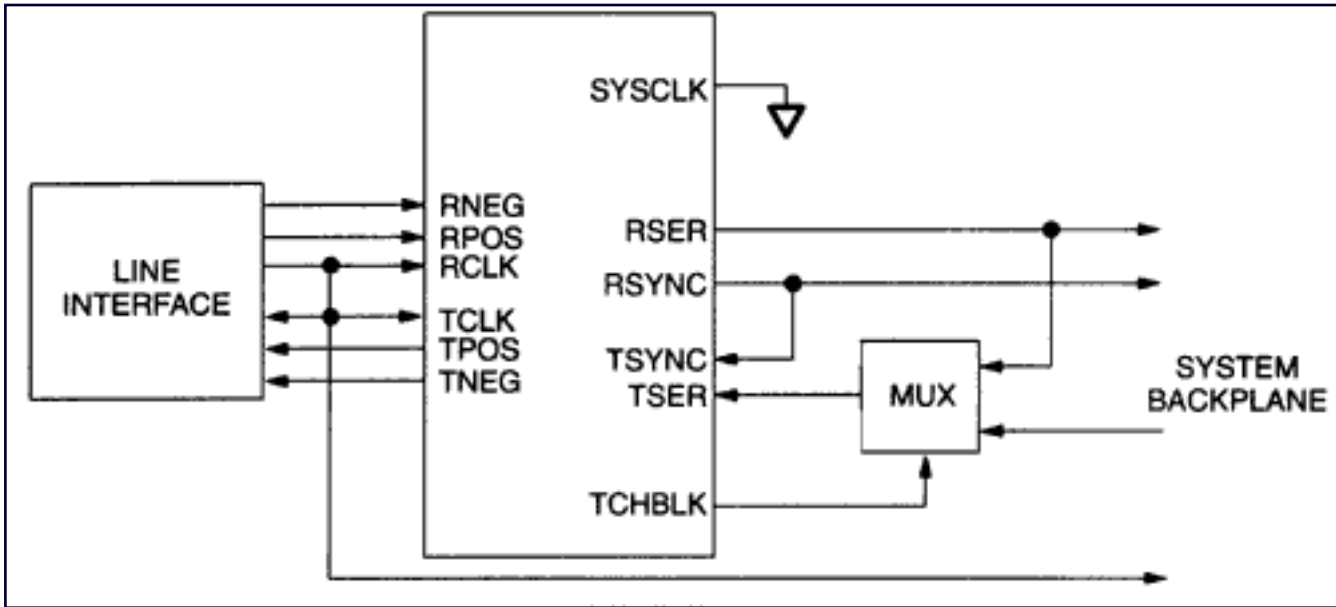


APPLICATION NOTE 314

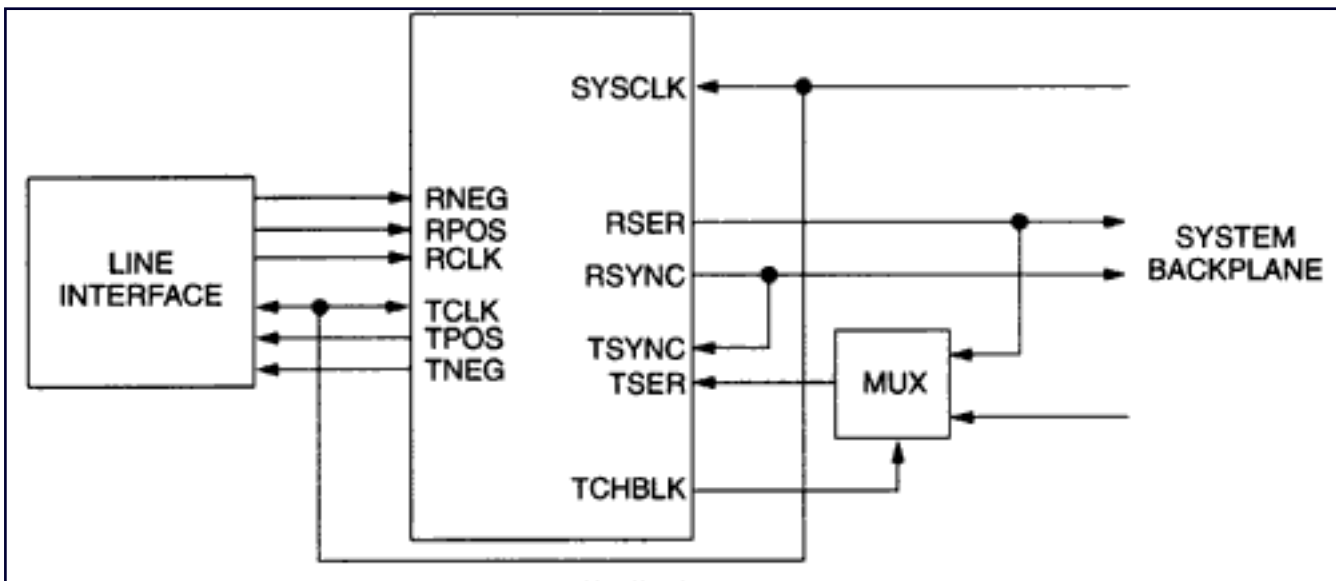
DS2141A, DS2142, DS2151, DS2153 Per-Channel Loopback

Abstract: Application note 314 provides the design requirements for implementing a per-channel loopback application using the Dallas Semiconductor/Maxim DS2141A, DS2142, DS2151, or DS2153.

With Elastic Store Disabled DS2141A/DS2143/DS2151/DS2153



With Elastic Store Disabled DS2141A/DS2143/DS2151/DS2153



Notes:

1. The TCHBLK signal is used to control a 2:1 multiplexer which will select which channels (if any) are to be lopped back to the network.
2. In DS2151 and DS2153 applications, the line interface is included onboard the devices.

Application Note 314: <http://www.maxim-ic.com/an314>

More Information

For technical questions and support: <http://www.maxim-ic.com/support>

For samples: <http://www.maxim-ic.com/samples>

Other questions and comments: <http://www.maxim-ic.com/contact>

Related Parts

DS2141A: [QuickView](#) -- [Full \(PDF\) Data Sheet](#) -- [Free Samples](#)

AN314, AN 314, APP314, Appnote314, Appnote 314

Copyright © by Maxim Integrated Products

Additional legal notices: <http://www.maxim-ic.com/legal>