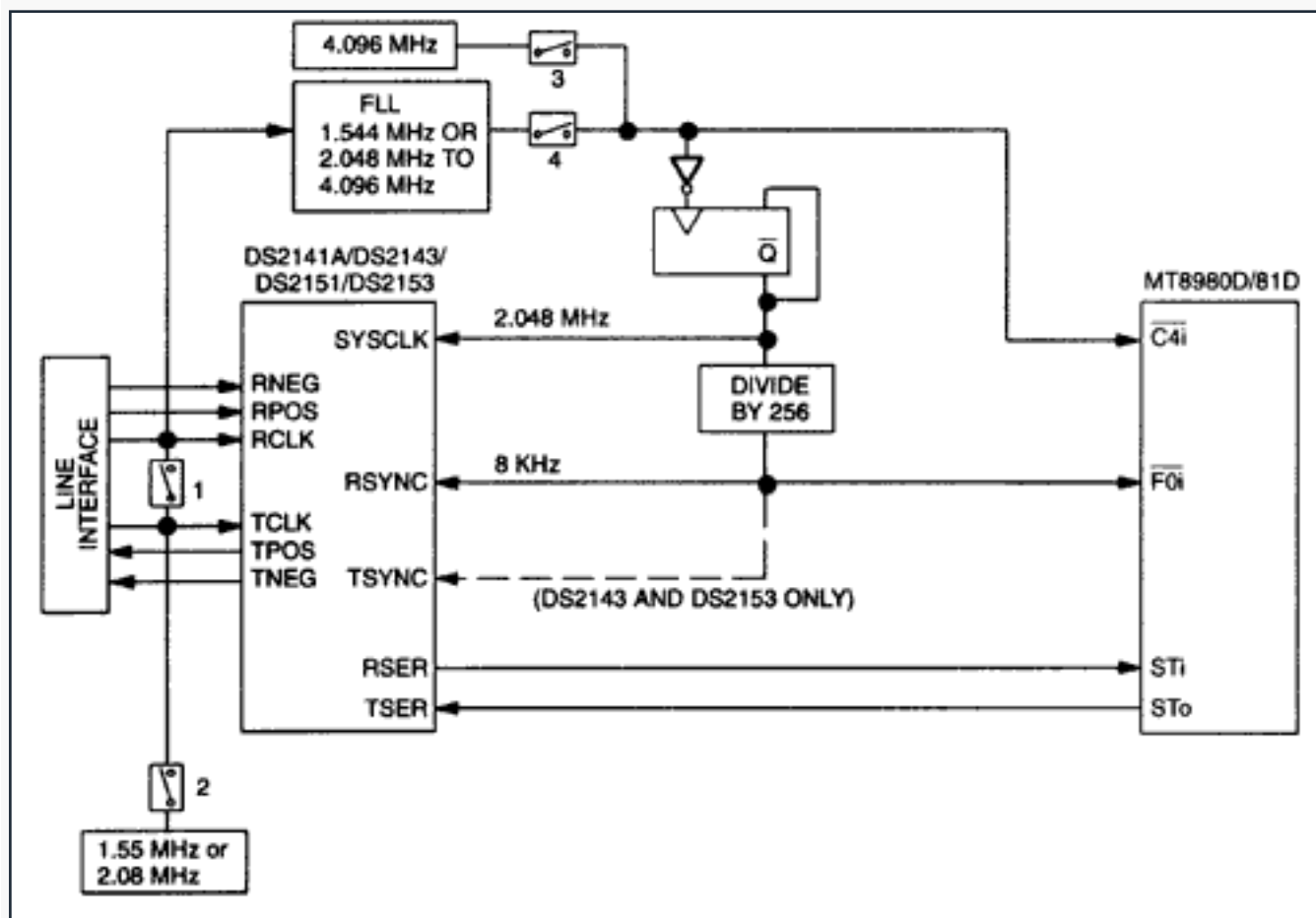


APPLICATION NOTE 313

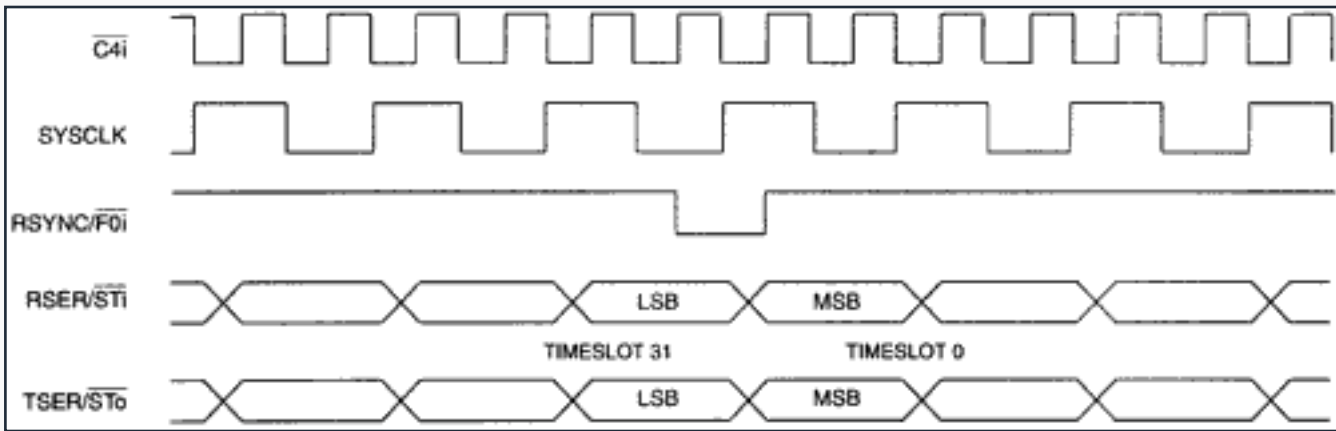
DS2141A, DS2143, DS2151, DS2153 Interfacing to the Mitel MT8980D

Abstract: This application note describes how the DS2141A, DS2143, DS2151, and DS2153 interface to the Mitel MT8980D. This note also shows waveforms and timing diagrams of different pins that are used for interfacing with MT8980D.



Notes:

1. The DS2141A and DS2151 are set up with both the receive and transmit elastic stores enabled; the DS2143 and DS2153 only need the receive side elastic store enabled.
2. The RSYNC pin is programmed to be an input; the TSYNC pin is programmed to be an output on the DS2141A, DS2151 and an input on the DS2143, DS2153.
3. The SYSCLK is set for 2.084 MHz operation.
4. The elastic stores provide controlled slip operation.
5. In "looped-timed" applications, close switch 1 and open switch 2.
6. In applications that cannot handle controlled slips, close switches 1 and 4, and open switches 2 and 3.
7. In DS2151 and DS2153 applications, the line interface function is included onboard the device.
8. Timing between the devices is shown below:



Related Parts

DS2141A: [QuickView](#) -- [Full \(PDF\) Data Sheet](#) -- [Free Samples](#)

DS2143: [QuickView](#) -- [Full \(PDF\) Data Sheet](#) -- [Free Samples](#)

Automatic Updates

Would you like to be automatically notified when new application notes are published in your areas of interest? [Sign up for EE-Mail™](#).

Application note 313: www.maxim-ic.com/an313

More Information

For technical support: www.maxim-ic.com/support

For samples: www.maxim-ic.com/samples

Other questions and comments: www.maxim-ic.com/contact

AN313, AN 313, APP313, Appnote313, Appnote 313

Copyright © by Maxim Integrated Products

Additional legal notices: www.maxim-ic.com/legal