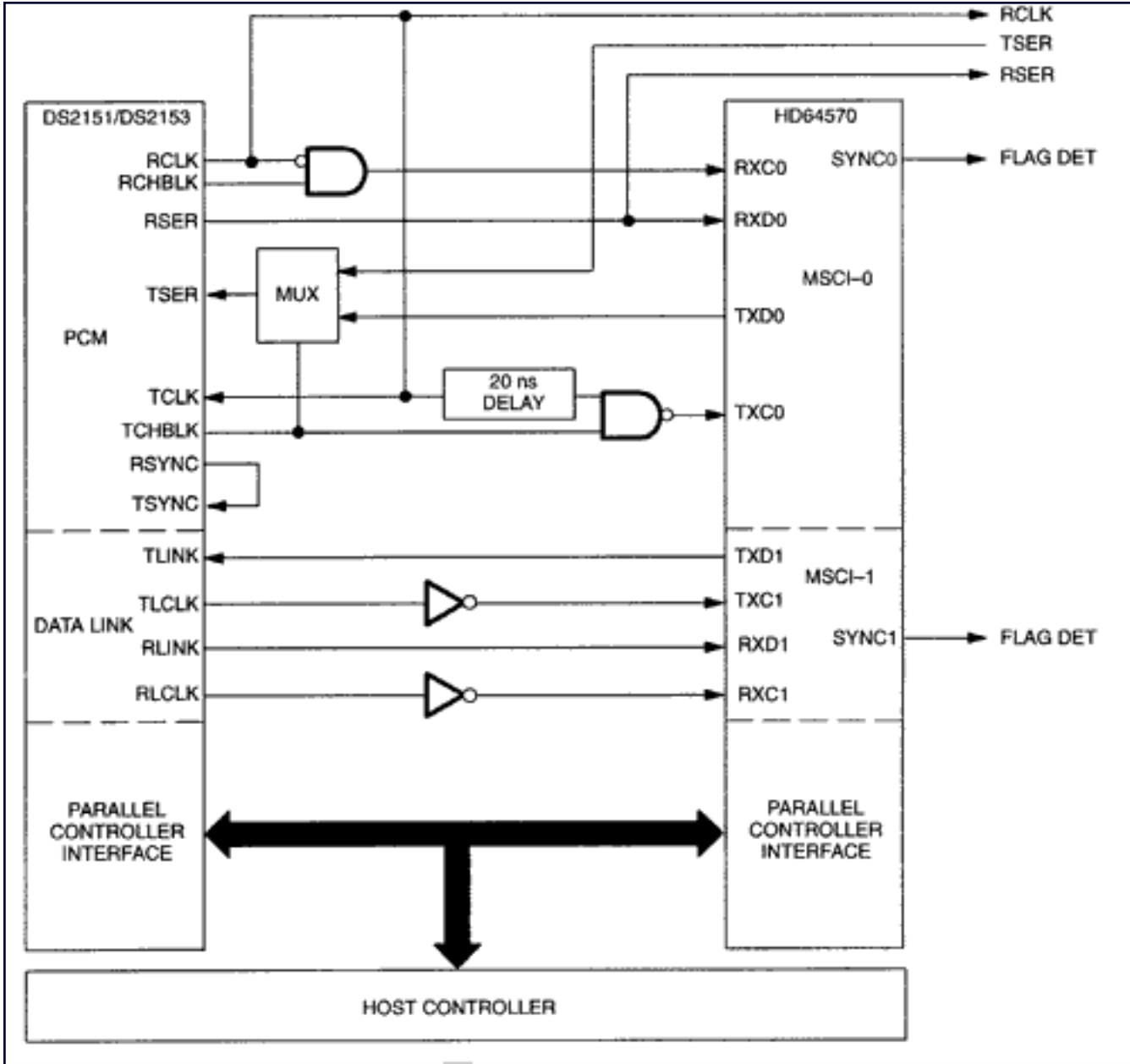


APPLICATION NOTE 311

DS2151, DS2153 Interfacing to the Hitachi HD64570

Abstract: Interfacing between the Hitachi HD64570 and the DS2151 for T1 lines or the DS2153 for E1 lines.



MCSI-0 and MCS-1 are in Bit Synchronous HDLC controller mode. MCSI-0 is used for B-Channel signaling while MCSI-1 is used for the FDL in T1 applications and Sa bits in E1 applications.

The DS2151, DS2153 is shown in a "loop timed" configuration. TCLK and TSYNC are derived from RCLK and RSYNC. The Elastic Stores are disabled. SYSClk (not shown) should be connected to VSS. RCHBLK and TCHBLK are used to independently select portions (DSO's) of the transmit and receive PCM streams.

Application Note 311: <http://www.maxim-ic.com/an311>

More Information

For technical questions and support: <http://www.maxim-ic.com/support>

For samples: <http://www.maxim-ic.com/samples>

Other questions and comments: <http://www.maxim-ic.com/contact>

AN311, AN 311, APP311, Appnote311, Appnote 311

Copyright © by Maxim Integrated Products

Additional legal notices: <http://www.maxim-ic.com/legal>