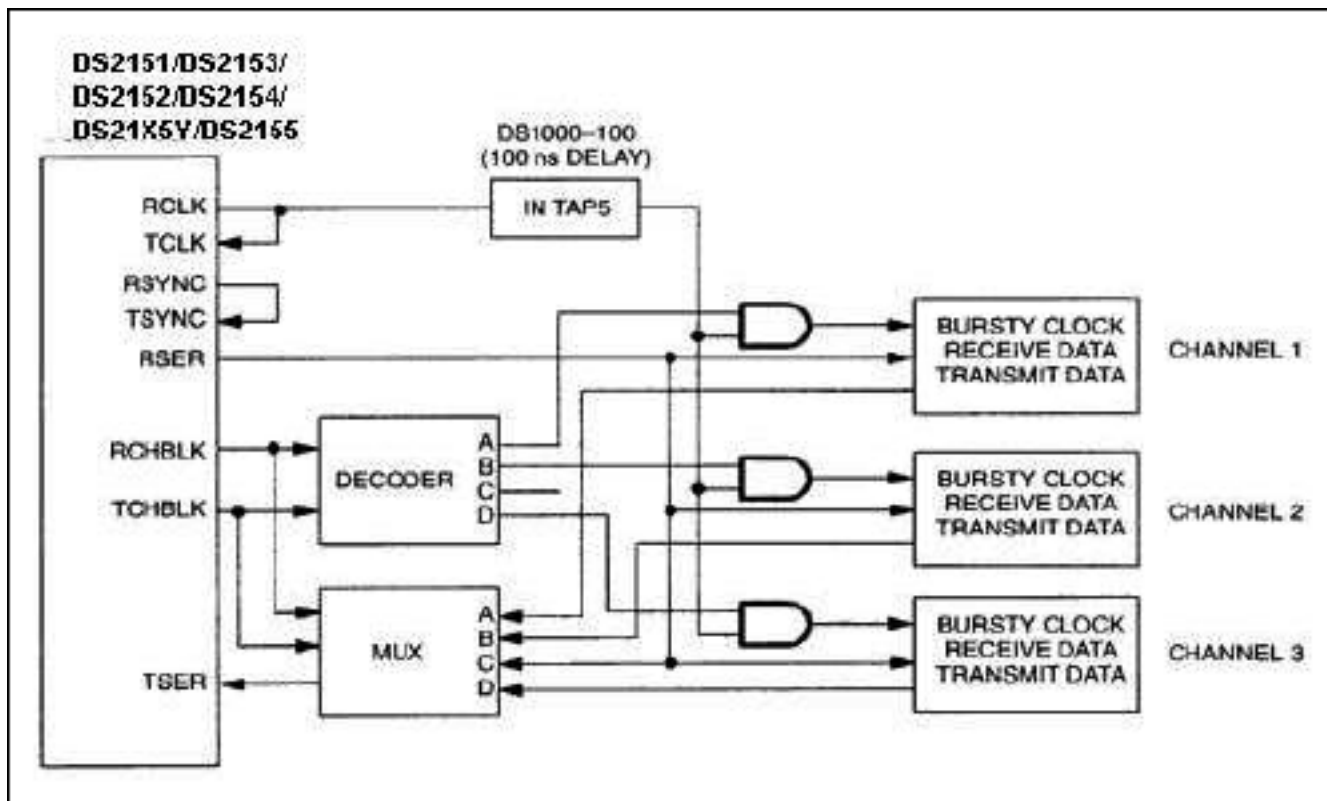


APPLICATION NOTE 307

DS2152, DS2154, DS2151, DS2153, DS21X5Y and DS2155 Three Channel Drop and Insert

Abstract: This application assumes the dropped channels occupy the same timeslots as the inserted channels. The idle registers in the DS2152, DS2154, DS21X5Y and DS2155 can be used to fill unused (if any) channels. The used channels do not need to be contiguous nor do they need to be only one channel wide. The DS1000-100 delay line is used to adjust the clock to account for the delay in generation of the signals that create the bursty clock. Additional channels can be added by allowing the RCHCLK signal to be driven into a counter and decoded; the decoded signal would then be used to provide additional selects for the decoder and mux.



Notes:

1. A "looped-timed" application is shown.
2. This application assumes the dropped channels occupy the same timeslots as the inserted channels.
3. The idle registers in the DS2152, DS2154, DS21X5Y, and DS2155 can be used to fill unused (if any) channels.
4. The used channels do not need to be contiguous nor do they need to be only one channel wide.
5. The DS1000-100 delay line is used to adjust the clock to account for the delay in signal generations that create the bursty clock.
6. Additional channels can be added by allowing the RCHCLK signal to be driven into a counter and decoded; the decoded signal would then be used to provide additional selects for the decoder and mux.

Application Note 307: <http://www.maxim-ic.com/an307>

More Information

For technical questions and support: <http://www.maxim-ic.com/support>

For samples: <http://www.maxim-ic.com/samples>

Other questions and comments: <http://www.maxim-ic.com/contact>

Related Parts

DS21352: [QuickView](#) -- [Full \(PDF\) Data Sheet](#) -- [Free Samples](#)

DS21354: [QuickView](#) -- [Full \(PDF\) Data Sheet](#) -- [Free Samples](#)

DS2152: [QuickView](#) -- [Full \(PDF\) Data Sheet](#) -- [Free Samples](#)

DS2154: [QuickView](#) -- [Full \(PDF\) Data Sheet](#) -- [Free Samples](#)

DS2155: [QuickView](#) -- [Full \(PDF\) Data Sheet](#) -- [Free Samples](#)

DS21552: [QuickView](#) -- [Full \(PDF\) Data Sheet](#) -- [Free Samples](#)

DS21554: [QuickView](#) -- [Full \(PDF\) Data Sheet](#) -- [Free Samples](#)

AN307, AN 307, APP307, Appnote307, Appnote 307

Copyright © by Maxim Integrated Products

Additional legal notices: <http://www.maxim-ic.com/legal>