

APPLICATION NOTE 303

DS2151, DS2153 Interfacing to the ADSP-2181

Abstract: Application note 303 provides information on connecting the DS2151 and DS2153 single chip transceivers (SCTs) to a 16-bit DSP: the Analog Devices ADSP2181.

Interconnections between the DS2151 or DS2153 parallel port and the Analog Devices ADSP-2181 non-multiplexed I/O port are shown in **Figure 1**. Refer to [Application Note 326: Interfacing to a Nonmultiplexed Bus](#) for further information.

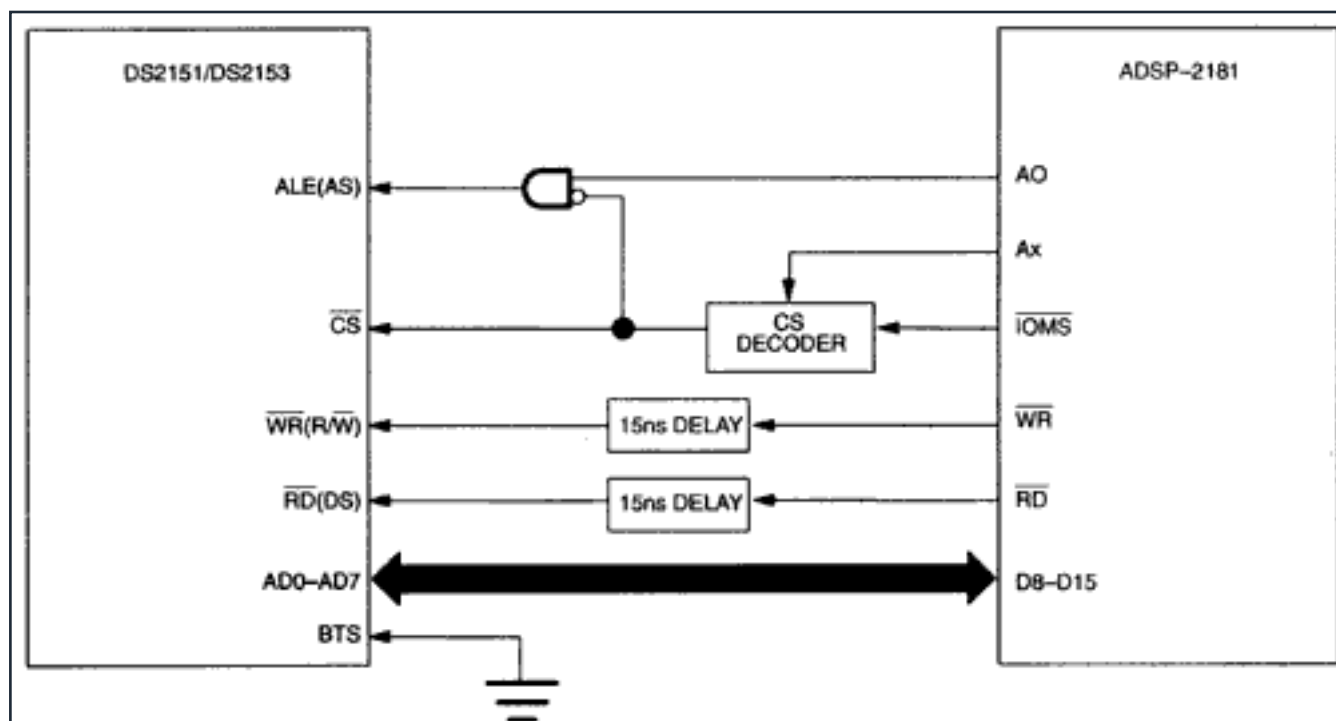


Figure 1. Transceiver - ADSP2181 Interconnections.

Application note 303: www.maxim-ic.com/an303

More Information

For technical support: www.maxim-ic.com/support

For samples: www.maxim-ic.com/samples

Other questions and comments: www.maxim-ic.com/contact

Automatic Updates

Would you like to be automatically notified when new application notes are published in your areas of interest?

[Sign up for EE-Mail™.](#)

