



APPLICATION NOTE 1167

## Practical Aspects of EMI Protection

More and more aspects of our lives depend on the uninterrupted operation of electronic equipment and appliances. "Drive by wire" and "fly by wire" have become everyday realities. In automated plants especially, electronic equipment that fails to operate correctly can cause enormous damage.

The ideal electronic circuit should be free of active EMI (electromagnetic interference, also called RFI or radio frequency interference) sources and passively immune to disturbances from outside.

The task of minimizing active sources is probably easier than that of protection against interference. Common techniques are line filtering, power-supply design, proper layout, and shielding of the enclosure.

Electrical disturbances can be conducted by the power lines or conveyed through the air by capacitive, magnetic, or electromagnetic radiation. Most difficult to cope with (usually) is the interference conducted over signal lines connected to the equipment. In any case, one must distinguish between the need to protect against damage or malfunction, and the need to prevent signal or data distortion resulting from (for example) a disruption in the sequence of a microcontroller program. The first problem is attacked via hardware design, the second via software algorithms.

This article addresses the means for protecting equipment against the intrusion of harmful voltages and currents.

Recognizing the importance of this issue, governmental bodies early undertook the task of enforcing equipment compatibility through regulations. IEC 1000-4, for example, standardizes test methods. Sections relevant to this discussion include IEC1000-4-2 for electrostatic discharge (ESD), IEC 1000-4-4 for fast transients (FTB), and IEC1000-4-5 for high-energy transients (SURGE). All of these test methods rely on realistic models for electrical noise. Before applying any protective elements, consider these basic rules:

- EMI protection should be considered while designing the circuit, not added afterwards.
- Block disturbances as near to the source as possible, preferably before they enter the equipment, and redirect them to ground.
- All sections that may be exposed to EMI disturbance, even electrically isolated sections, should be located as far as possible from sensitive circuitry.

Because signal circuitry cannot withstand kV-level voltages, such disturbances must be excluded from the input, converted to current, and then to heat. Ground-loop currents, which can enter an interface and run throughout the circuit, are often thwarted with galvanic isolation. Isolation is especially useful for the longer lines and high ground-loop currents that may occur in industrial systems.

An ESD current pulse of 30A peak may produce only tens of millivolts of resistive voltage drop on a ground trace, but its extremely steep rise time ( $>30A/nsec$ ) may induce hundreds of volts of inductive drop on the same trace (assuming roughly 1nH/cm of wire inductance)-more than sufficient to cause data errors. Skin effect applies at these high frequencies, increasing wire resistance dramatically by forcing current to flow only within microns of the conductor surface. To counteract this effect, ground connections need a large surface area to maintain low resistance.

Fast rise times can enable capacitive coupling of FTB and ESD disturbances from noisy sections to supposedly quiet ones. In this context, a frequent mistake is to provide galvanically isolated supplies by adding additional windings to the main power-supply transformer. This arrangement allows "infected lines" (ground returns for the

external signal) to contaminate the entire circuit.

As a compact, functionally clean, and cost-effective alternative, you can generate auxiliary voltage at the circuit periphery using a forward converter based on the MAX253 driver. That IC offers the advantages of small board space and an effective barrier between the clean and noisy potentials. The tiny transformer required can be manufactured with a coupling capacitance below 10pF, yet it transfers up to 1 watt while isolating kilovolts (**Figure 1**). Other commonly used EMI-protection components are as follows.

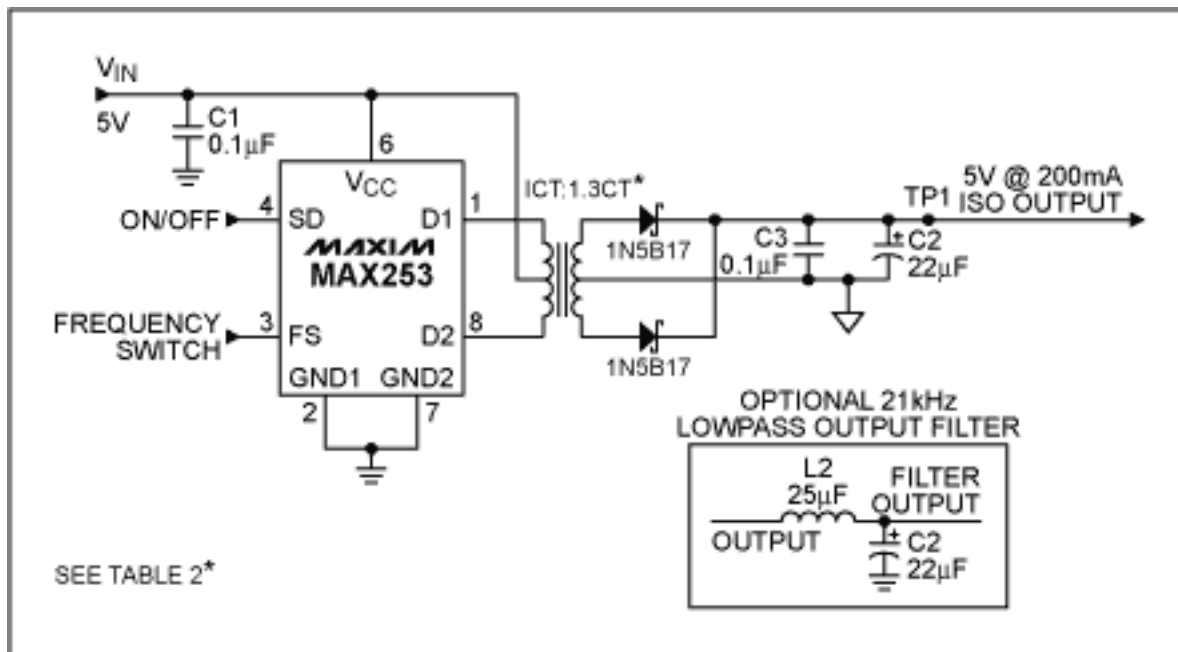


Figure 1. A small transformer and driver IC derives an isolated 5V supply from the 5V rail.

**Gas Arrestor:** A kind of dish-shaped capacitor filled with gas, frequently neon. Overvoltage in excess of 100V or so creates a plasma that limits the voltage at low levels and carries high currents. Gas arrestors absorb high-level transients, but are not suitable for fast transients because the emergence of plasma takes some time. They are not suitable for mains protection and are difficult to use with low source impedances. Leakage currents in normal operation are very low.

**Varistor:** An arrestor made with metal oxide (mostly zinc), usually shaped like a tablet with two connectors, one on each side. With behaviour similar to that of a zener diode, it responds much faster than the gas arrestor, but exhibits high leakage currents especially when the signal approaches the clamping voltage.

**Suppressor (Transzorb) Diodes:** Used to limit fast transients at low voltage levels, their power-dissipation capability is limited according to their form factor. As for varistors, they exhibit significant leakage currents in the vicinity of their breakdown voltage. Junction capacitance is also significant, so in fast systems they are usually decoupled with diode bridges.

**ESD Structures:** Novel designs that behave somewhat like diacs are integrated in the MAX202E, MAX485E, and other RS-232/RS-485 transceiver ICs (and recently, in analog multiplexers such as the MAX4558 as well). Exhibiting low capacitance and low leakage currents, they are suitable for both ESD and FTB protection.

**Chokes, Ferrites:** Can attenuate high frequency and fast voltage peaks, but don't absorb much energy. Beware of resonant effects, and always use with attenuating capacitors (commonly an LC filter in a T-structure). These devices are frequently used to protect against common-mode disturbances and for mains filtering.

**Capacitors:** Perhaps the most important protective element. Its important features are equivalent series resistance (ESR), inductance, high current capability, and voltage capability.

**Series Resistors:** Also among the most important and cheapest of protective elements. Properly selected according to resistance and power dissipation, they can replace more costly elements, with comparable results.

The following examples illustrate use of these components, along with working principles and possible pitfalls.

## Thermocouples

Thermocouple signals offer the advantage of quasi-static processing. To guard against signal distortion by ground loop currents, most thermocouple applications provide galvanic isolation between the signal-acquisition and signal-processing circuitry. As shown in a block diagram of the circuit (**Figure 2a**), the differential signal is fed through a multiplexer to the input of an instrumentation amplifier, and from there to an analog-digital converter. Opto or magnetic coupling transfers the ADC's digital output across the isolation barrier. Isolated power supplies are used to power the signal-acquisition and signal-processing circuitry.

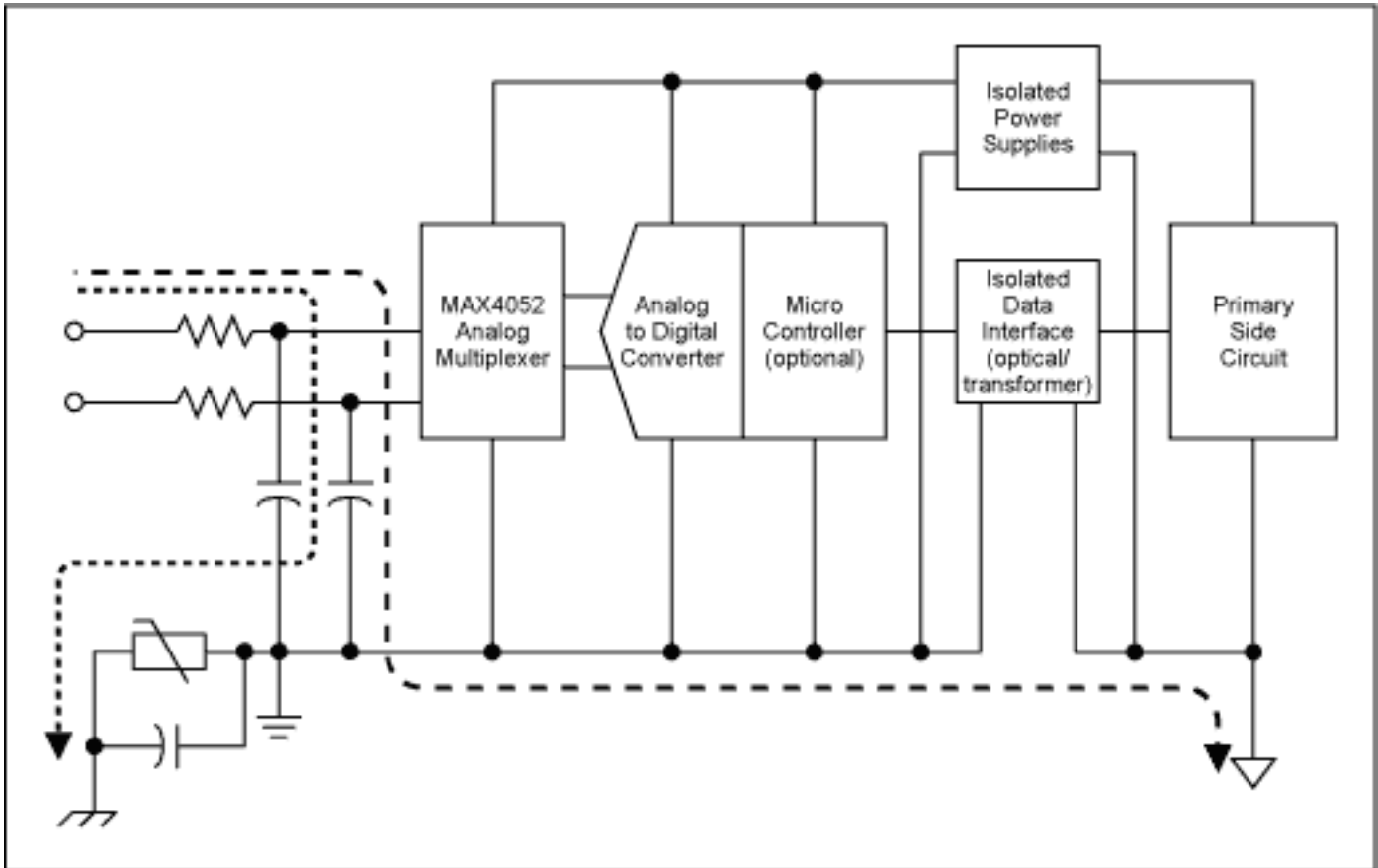


Figure 2a. These components process the differential signal from a thermocouple.

The thermocouple is easily protected with a simple, lowpass-RC network of  $2\text{k}\Omega$  and  $100\text{nF}$  on each electrode. An additional,  $1\text{nF}$  diverting capacitor with high voltage rating connects between circuit common and the grounded frame of the equipment. This capacitor diverts ESD disturbances to ground while maintaining galvanic isolation for the DC currents. It also forms a capacitive voltage divider that limits peak voltages at the isolated power supply. To further limit peak voltage, a high-voltage varistor can be connected in parallel with the diverting capacitor (**Figure 2b**).

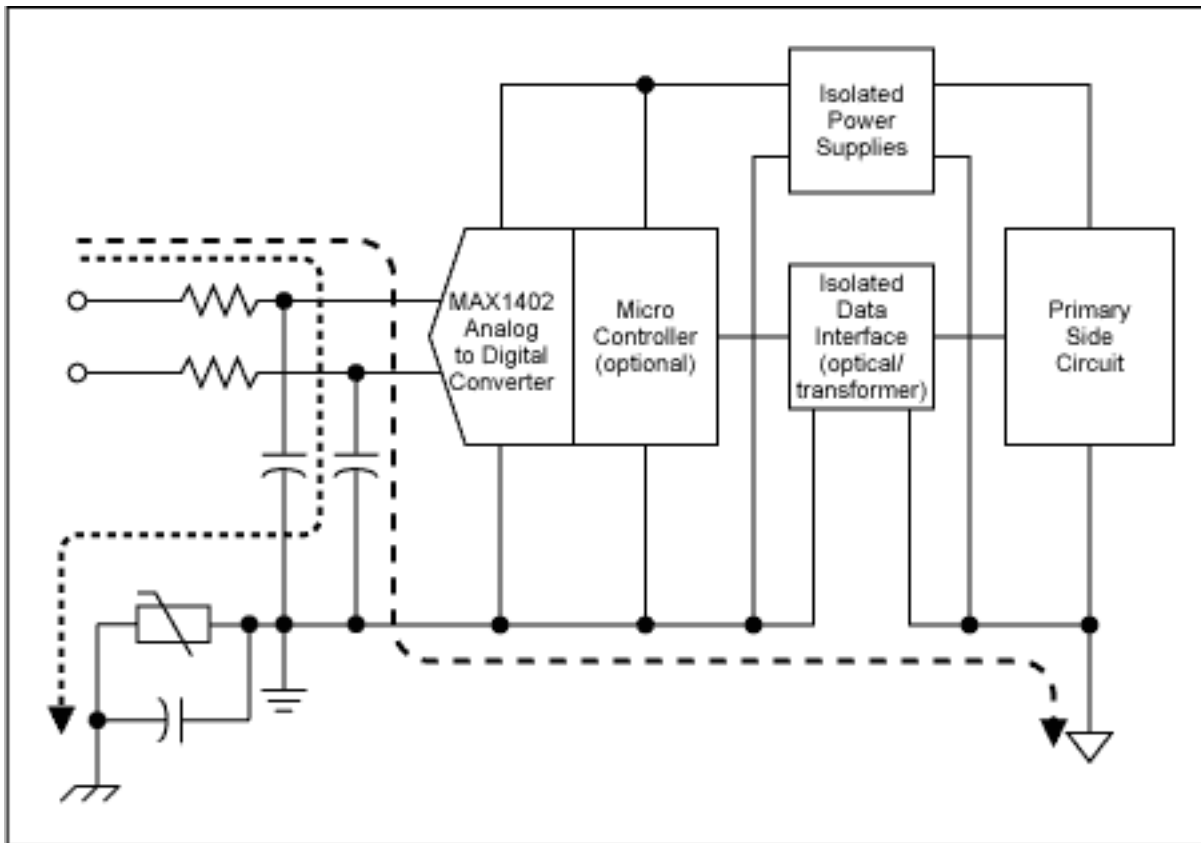


Figure 2b. A high-voltage varistor (lower left ) limits the peak voltages.

The 2k $\Omega$  resistor must be large enough to withstand high voltage (up to 8kV ESD), and also to dissipate considerable energy during FTB and SURGE testing. Unfortunately, leakage current at the inputs of the following circuit (before the isolation barrier) can flow through this protective series resistance to create substantial static-signal errors. Multiplexers, for instance, can introduce unacceptable errors, and amplifiers added to buffer the multiplexer can introduce additional input-offset and input-current errors while adding cost and board space to the system.

The MAX4051A multiplexer, pin- and function-compatible with the industry-standard 4051, offers a moderate-cost alternative. Its leakage current is guaranteed at 5nA maximum over the extended temperature range and only 2pA typical at 25 $^{\circ}$ C. Thus, the worst-case leakage over temperature at the series resistors creates a maximum error of only 2 $\mu$ V. This error is quite sufficient for most thermocouples. If not, an instrumentation-amplifier buffer (based on the MAX4254 quad op amp) lowers the leakage to 100pA maximum over temperature, and to 1pA typical at 25 $^{\circ}$ C. In addition, low input offset voltage drift (only 0.3 $\mu$ V/ $^{\circ}$ C) makes this buffer extremely effective for high-impedance, low-level signals.

Another alternative is the monolithic MAX1402 signal-acquisition system, which includes a sigma-delta ADC, buffer amplifier, multiplexer, current source for sensor excitation, and so-called burnout current sources for signal validation. It features very low input leakage current, and the flexibility to implement applications such as cold-junction compensation.

## Angular Encoders

Industrial angular encoders determine the rotor position in electrical machines. Precision positioning systems feature dual-channel, orthogonal, differential sinusoids (called "sincos" signals by some manufacturers), which, taken together, form a pointer that allows a fine resolution of rotor position. Alongside the analog-position signal lines, such systems often include RS-422 or RS-485 lines for initializing the encoder and setting its parameters. In some cases these lines run for long distances, carrying analog signals of low-kHz frequency and digital data rates as high as Mbits/sec (**Figure 3**).

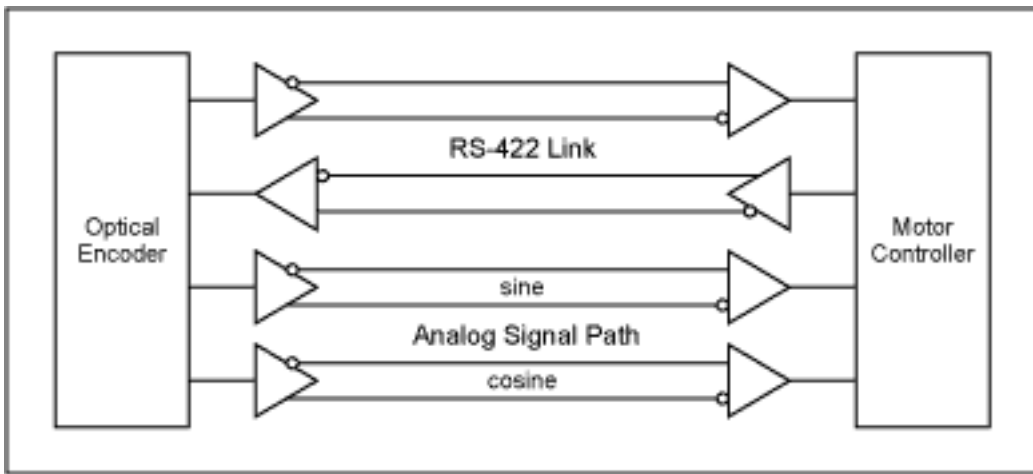


Figure 3. Communication in this optical-encoder system consists of analog "sincos" signals and bidirectional digital-data signals.

Thus, protection in the form of large series resistors and passive RC combinations are excluded, but line-termination resistors (usually  $120\Omega$ ) are required to prevent reflections. The primary need is for protection against ESD and FTB disturbances. In a system with conventional data transceivers (**Figure 4**), the differential transmitter's output voltage is limited by a suppressor diode and decoupling diodes. (Decoupling diodes are reverse-biased to decouple the wideband data signal from the capacitance of the suppressor diode, which otherwise would heavily attenuate the signal.)

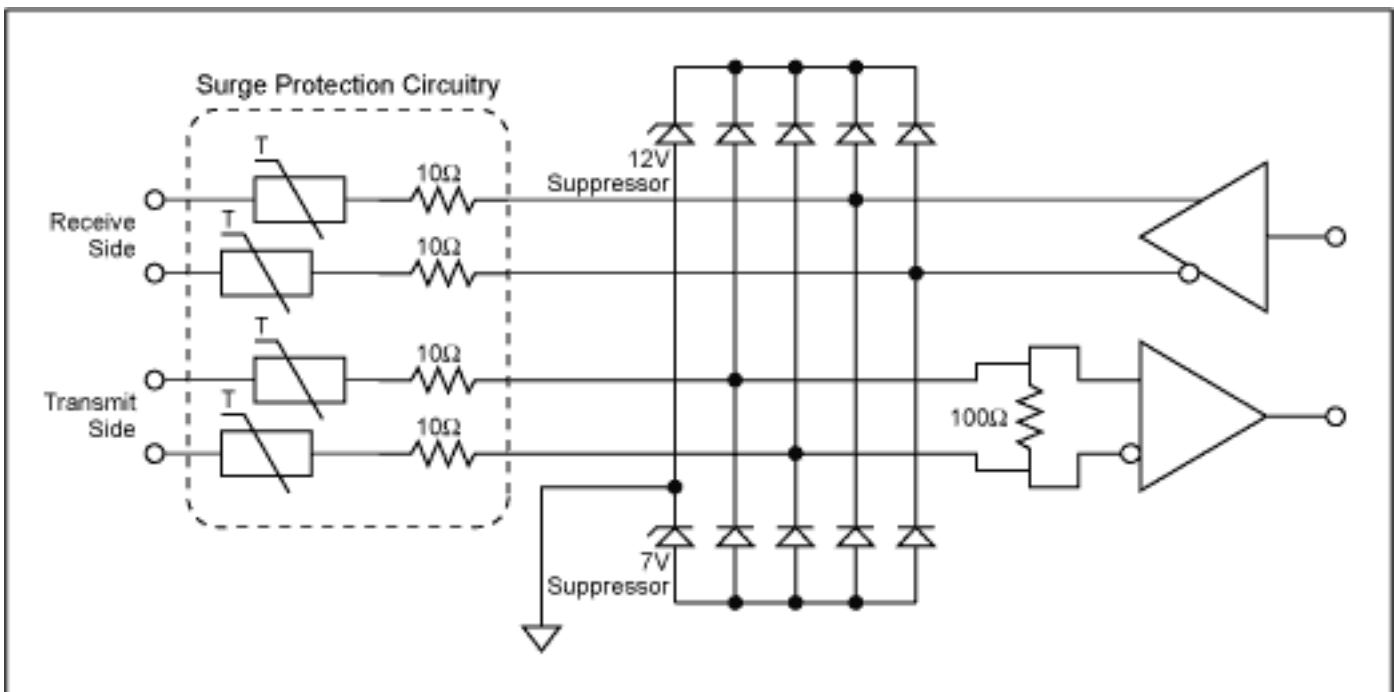


Figure 4. This diode/suppressor network prevents damage from ESD, FTB and SURGE faults. Optional PTC fuses protect against fault connections to hazardous voltages.

Similar protection is provided for the receiver, but to guarantee an unsymmetrical common-mode range ( $-7V$  to  $+12V$  for EIA-422A) the limiting network must be unsymmetrical as well. Transmitter outputs and receiver inputs comply with the same common-mode range, so for convenience and economy both are protected by the same suppressor diodes. On the other hand, this whole protection network can be replaced by the MAX490E—an RS-422 transceiver that integrates the ESD- and FTB-protection networks.

As a matter of good practice, the transceiver ground should be tied to casing/earth with as short a connection as possible. If the lines are shielded (highly recommended!) the shield should also be tied to this point with a short connection. If you expect large exchange currents between separated ground potentials, you should insert a  $100\Omega$  series resistor between shield and earth, preferably bypassed with a low-ESR capacitor.

If the system requires SURGE protection also, an external protection network is unavoidable. In that case, it may

be advisable to split the line termination so it can function as a current-limiting resistance as well. This is easily accomplished on the receiver side with a moderate loss of signal level. For the driver side, you must verify whether an approximate  $10\Omega$  of series resistance is acceptable, given that the MAX490E's differential output impedance is about  $40\Omega$ . A possible circuit including PTC fuses in series with the data lines is given in Figure 4 as well.

## Standard-Signal Interface

The mode of signal transfer chosen for a system is affected by the enormous variety of signal sources and transmission distances the system may present. For higher bandwidth and longer lines, it is often necessary (especially in systems prone to disturbance) to convert the signals to a higher level:  $0\text{V}$  to  $10\text{V}$ ,  $-10\text{V}$  to  $+10\text{V}$ ,  $4\text{mA}$  to  $20\text{mA}$ , or in some cases differential analog, as for an angular encoder. Other systems prefer a digital format, carried by wires, optical fiber, or wireless radio links. In all cases, you should minimize noise effects by placing the transducer as close to the signal source as possible.

A  $\pm 10\text{V}$  interface, for example, is often used to set the target position in motor-control applications. Such environments are noisy, and the  $24\text{V}$  industrial supply (always present in the cabinet) can be a hazard when wiring errors occur. Maxim's signal line protectors MAX4506 or MAX4507, featuring  $60\Omega$  channel resistances and a maximum  $20\text{nA}$  leakage over temperature, offer an elegant protection for this interface (**Figure 5**). Signals within the supply-voltage range pass through these ICs virtually unaffected.

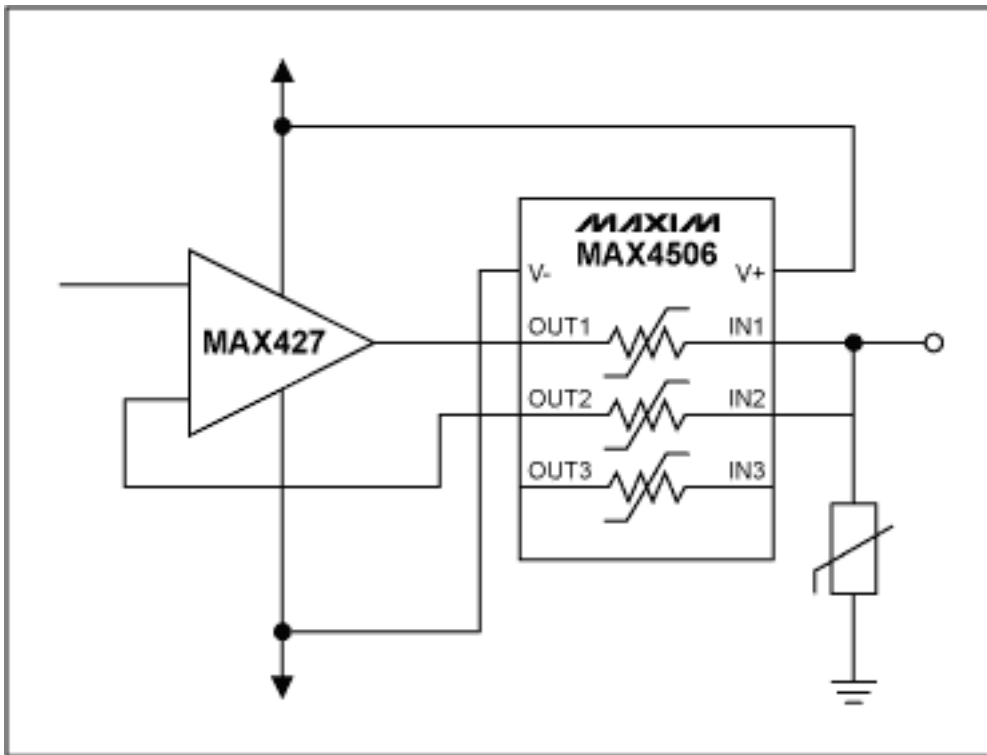


Figure 5. This signal-line-protector IC protects a  $\pm 10\text{V}$  interface.

If a disturbance causes the protected terminal signal to exceed the supply voltage (positive or negative), the line-protector chip presents a high impedance to the fault signal. It tolerates fault voltages to  $36\text{V}$ , or to  $\pm 40\text{V}$  with the supplies turned off. **Figure 6** shows the input-to-output transfer function for these parts.

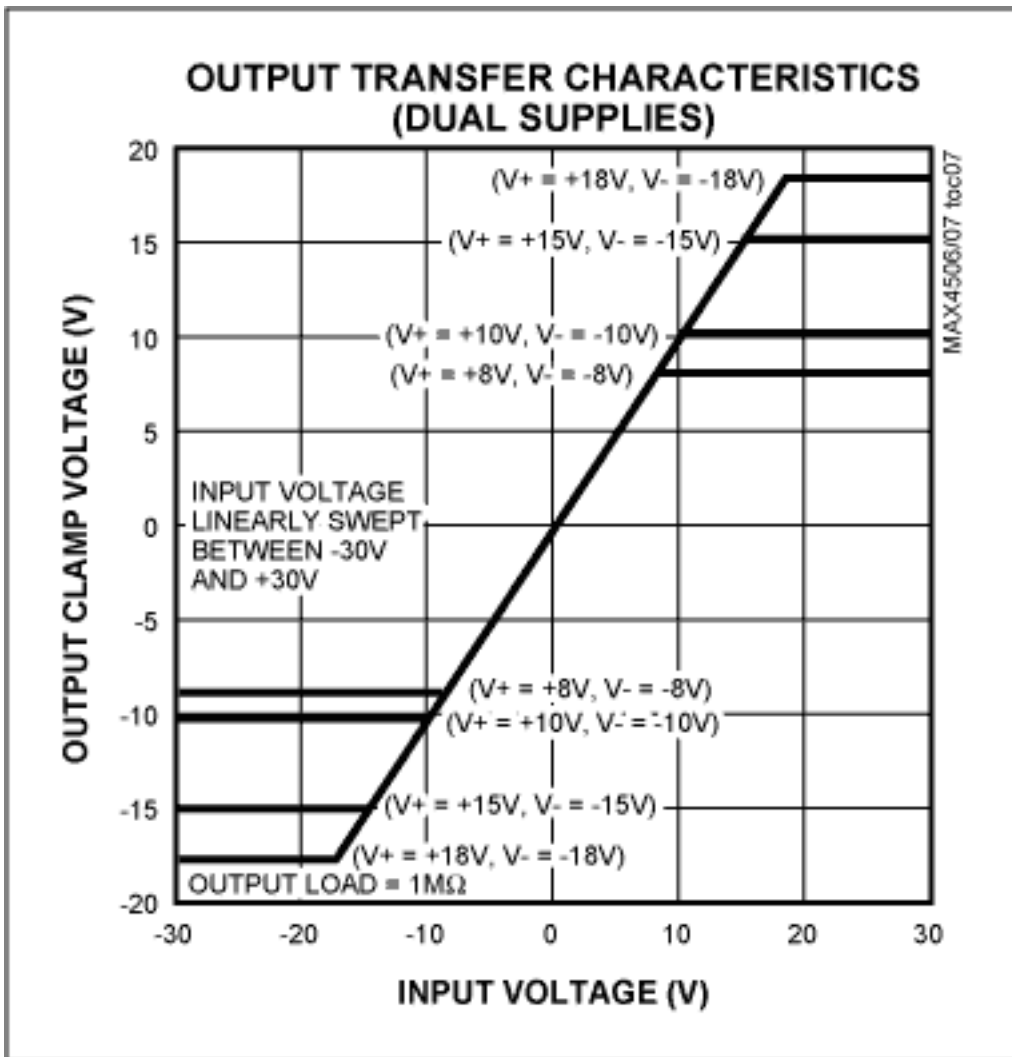


Figure 6. This transfer function illustrates the clamping effect of MAX4506/MAX4507 signal-line protectors.

Using a component such as the MAX4506 or MAX4507, Figure 5 shows a possible protection scheme for  $\pm 10\text{V}$  standard signal outputs. The output is generally more difficult to protect than the input, although leakage introduced by protective elements at the input may cause signal errors. It is sufficient to insert a bidirectional suppressor diode (providing a  $\pm 30\text{V}$  clamp voltage) between the line terminal and ground/earth at each receiver input or transmitter output.

Because the suppressor diode's clamp voltage is far beyond the standard-signal range, any distorting leakage currents that originate in the suppressor diode are quite low. The line signal is regulated by feedback, while series resistance for the low-signal line protector places minimum requirements on the driver swing (just 100mV dropout voltage, assuming 10kΩ minimum load resistance at the receivers). This protection holds even for continuous faults (to 24VDC as mentioned before), without endangering either the suppressor diode or the circuit.

Similarly, signal inputs at the receiver side may be protected by inserting a signal-line protector in front of the buffer amplifier. The MAX197, a specialised A/D converter with internal fault protection to  $\pm 16\text{V}$ , allows simple and effective protection by connecting bidirectional suppressor diodes (which provide a  $\pm 15\text{V}$  clamping voltage) in parallel at the inputs. Software-programmable input ranges for each input channel enable the MAX197 to handle the standard voltage ranges discussed. If higher levels of protection are required, you can place the MAX4507 octal signal-line protector in front of the MAX197.

## EMI Immunity Testing and Measuring Techniques

### Electrostatic Discharge Immunity Test (IEC 1000-4-2):

The test generator consists of a high-voltage, 150pF capacitor that discharges via a 330Ω series resistor (**Figure**

7), a switch, and an electrode (shaped to simulate a finger) that discharges into the equipment under test (EUT).

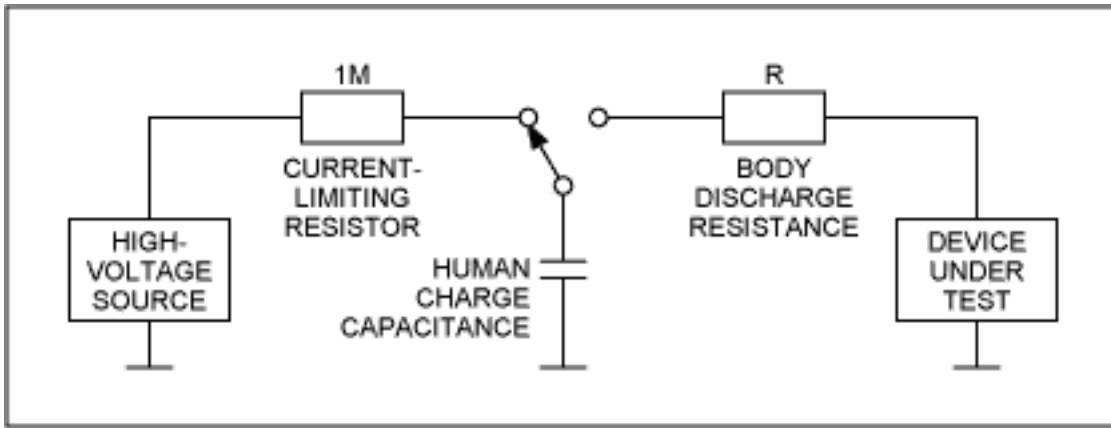


Figure 7. A simple test circuit applies controlled ESD pulses to a test device.

The test specification distinguishes between contact discharge and air discharge. Contact discharge is applied by touching the equipment enclosure with the test finger while closing the switch. This procedure exposes the equipment surface to the test voltage ( $\pm 2\text{kV}$ ,  $\pm 4\text{kV}$ ,  $\pm 6\text{kV}$ , and  $\pm 8\text{kV}$ ), minus a voltage drop caused by current flowing through the series resistor. The resulting short-circuit currents are depicted in **Figure 8**.

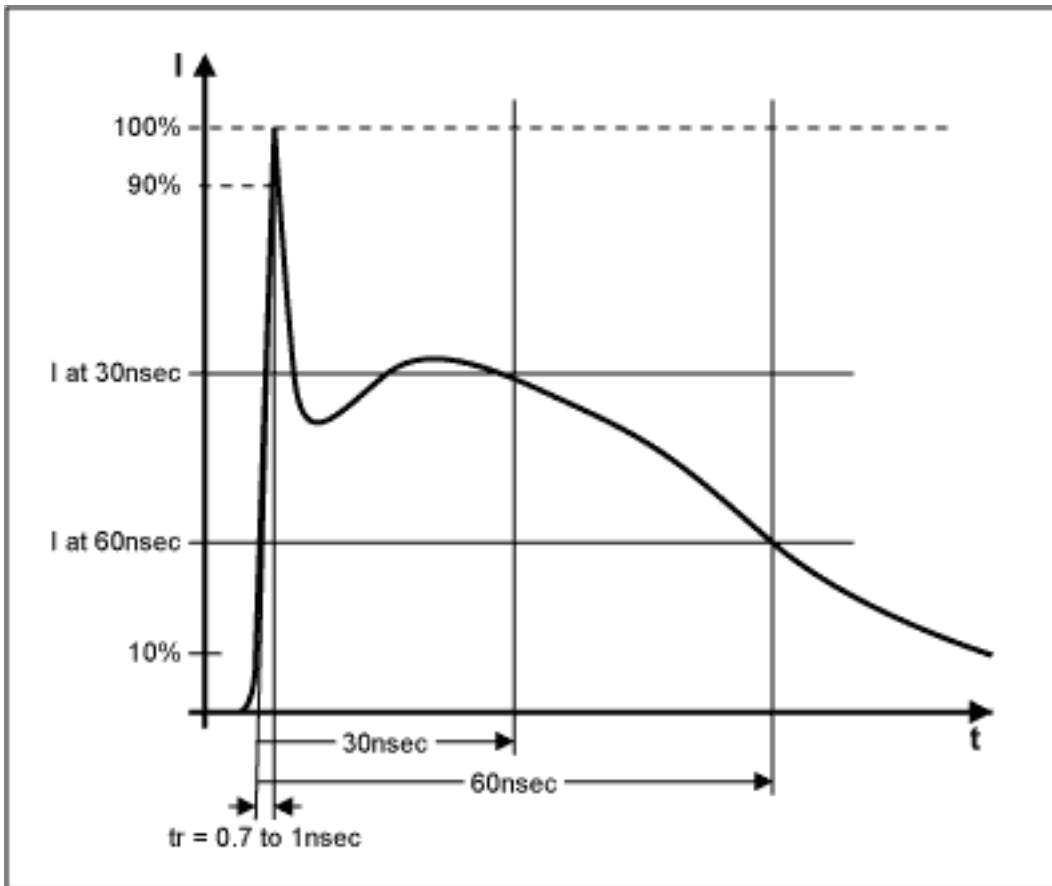


Figure 8. An ESD zap from the circuit of Figure 1 produces this current in the device under test.

Air discharge is applied to insulating surfaces by bringing the test tip toward the surface as rapidly as possible. The test requires at least 10 measurements, spaced at least one second apart, at each level of standard test voltage ( $\pm 2\text{kV}$ ,  $\pm 4\text{kV}$ ,  $\pm 8\text{kV}$ , and  $\pm 15\text{kV}$ ). The object is to find the weakest point within the equipment's enclosure by testing to the limit specified for that class of equipment. Using the same test generator, an additional capacitive-coupling test is implemented by connecting the test tip to a metal plate positioned close (about 10 cm) to the equipment casing. This test applies only to those parts of the equipment that are touched by users during normal operation and maintenance.

### Fast Transient Burst Test (FTB) (IEC1000-4-4):

An FTB test capacitively couples a test signal onto the mains line or the signal line. It employs a coupling device shaped like a tube and enclosing the line under test for about one meter. The test signal consists of bursts of approximately 75 high-voltage pulses, delivered in bursts at a 3Hz repetition rate. Each pulse has an approximate rise time of 5nsec, and a fall time (to 50% of peak value) of 50nsec with a 50Ω load or 100nsec with a 1000Ω load. The time between pulses is 10μsec or 200μsec (**Figure 9**).

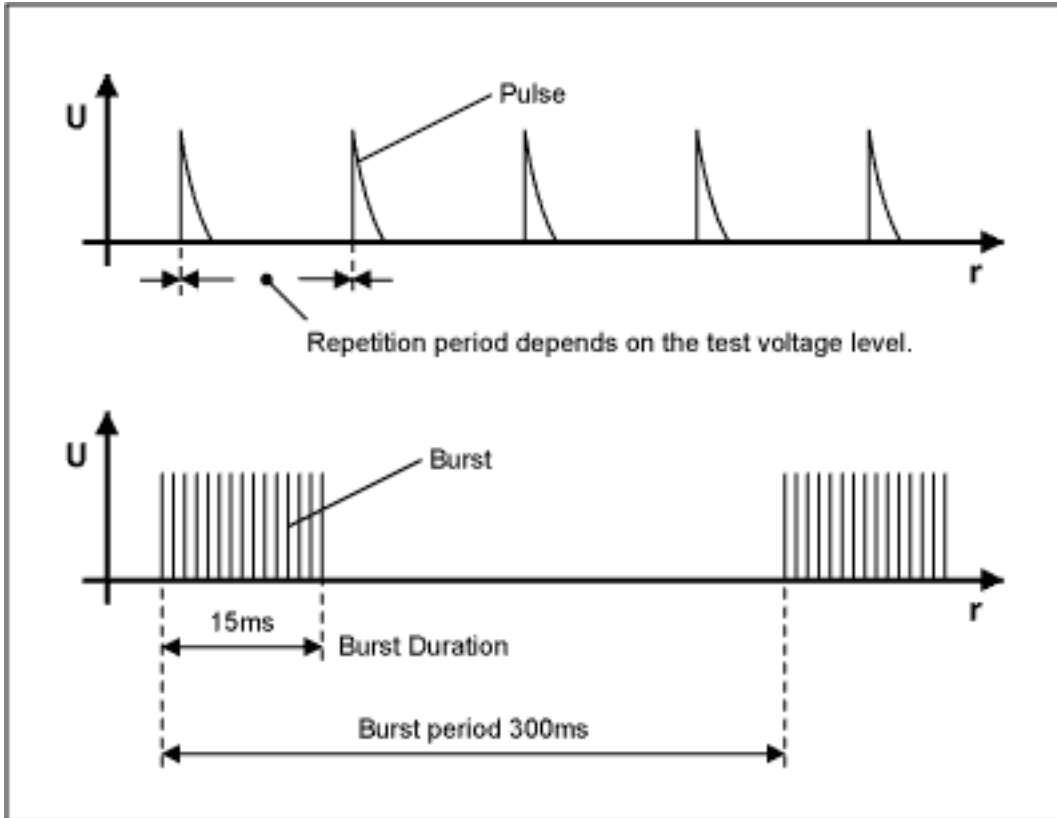


Figure 9. The test pulses in an FTB burst are specified as shown.

To create the high voltage required for low load resistance, the output resistance of this generator is much lower than that of an ESD generator. Peak amplitudes for the test pulses range from  $\pm 0.25\text{kV}$  to over  $0.5\text{kV}$ , and (at  $50\Omega$  load) from  $1\text{kV}$  to  $2\text{kV}$ . At  $1000\Omega$  the load amplitudes are  $0.5\text{kV}$ ,  $1\text{kV}$ ,  $2\text{kV}$  and  $4\text{kV}$ . A decent cable shield, connected properly to ground/earth on the equipment side, can remove a lot of trouble from this test.

### SURGE Immunity Test for High-Energy Transients (IEC1000-4-5):

With regard to equipment-damage hazards, the most stringent test is that of high-energy transients-the so called SURGE test. In this test, the mains supply lines, unshielded signal lines, or cable shields are driven via low-value series resistors with long-duration, high-voltage pulses. The pulses have approximate  $2\mu\text{sec}$  rise times and  $50\mu\text{sec}$  fall times (to 50% of peak value), with amplitudes ranging from  $0.5\text{kV}$  to  $2\text{kV}$  for mains lines and to  $1\text{kV}$  for signal lines.

For supply lines, the SURGE test galvanically couples the test signal using a  $9\mu\text{F}$  DC decoupling capacitor in parallel with a series resistance as low as  $10\Omega$  (and in some cases, with no resistor at all). Unshielded signal lines are tested with a series resistance as low as  $40\Omega$ , line-to-line or line-to-earth. Adding  $90\text{V}$  gas arrestors in series prevents capacitive loading of the signal lines between tests (**Figure 10a, 10b**).

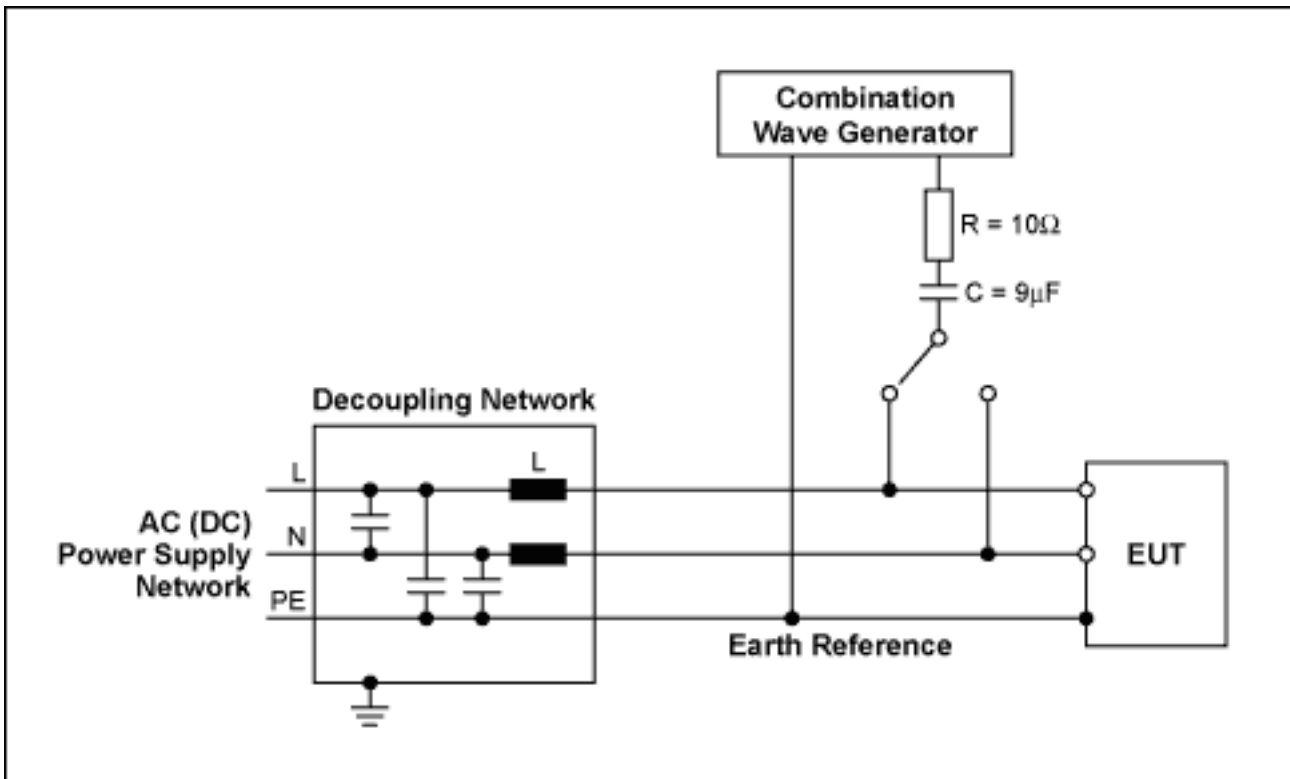


Figure 10a. Test setup: Capacitive coupling of a test signal to AC or DC lines.

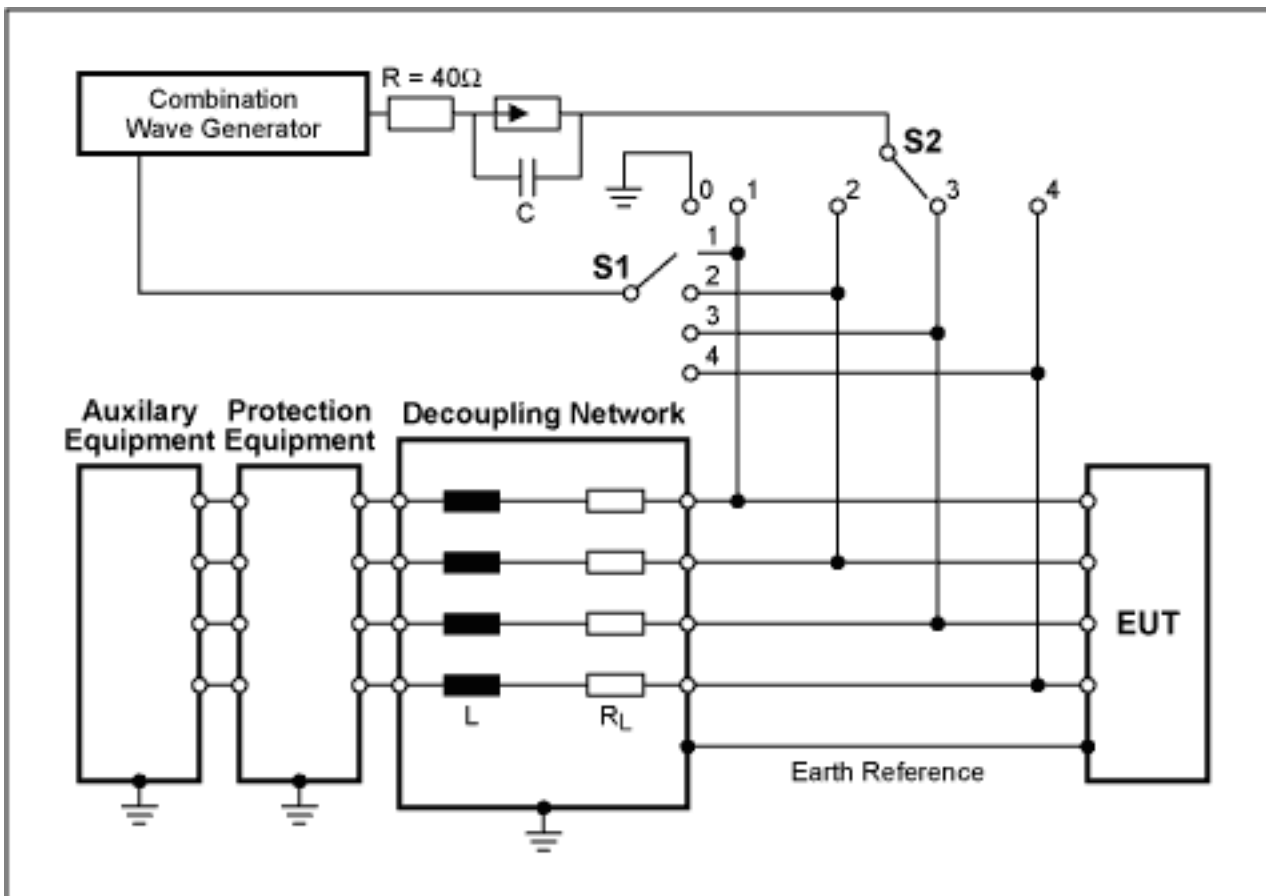


Figure 10b. Test setup: Coupling to unshielded, unsymmetrically operated lines.

For technical questions and support: <http://www.maxim-ic.com/support>

For samples: <http://www.maxim-ic.com/samples>

Other questions and comments: <http://www.maxim-ic.com/contact>

### **Related Parts**

MAX253: [QuickView](#) -- [Full \(PDF\) Data Sheet](#)

MAX4506: [QuickView](#) -- [Full \(PDF\) Data Sheet](#) -- [Free Samples](#)

AN1167, AN 1167, APP1167, Appnote1167, Appnote 1167

Copyright © by Maxim Integrated Products

Additional legal notices: <http://www.maxim-ic.com/legal>