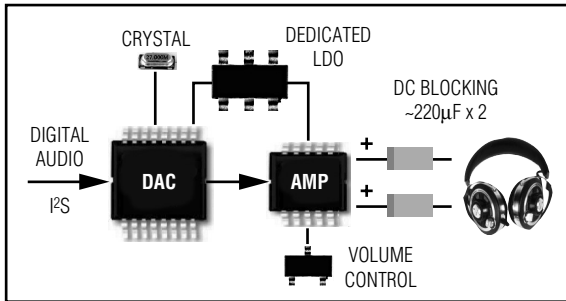


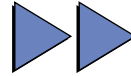
18-BIT STEREO AUDIO DAC INTEGRATES LARGE, COSTLY COMPONENTS AND PRODUCES 30mW FROM 1.8V

**-100dB PSRR and Built-In DirectDrive™ Headphone Amplifiers
Eliminate LDO and Two DC-Blocking Capacitors**

COMPETITION

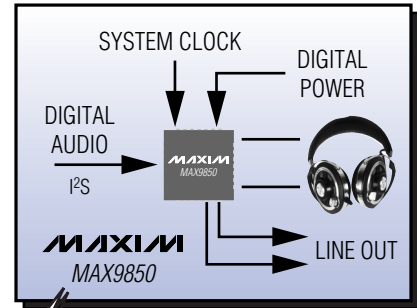


Simpler Design

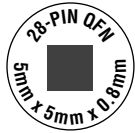


Higher Performance

MAXIM ELIMINATES 6 COMPONENTS



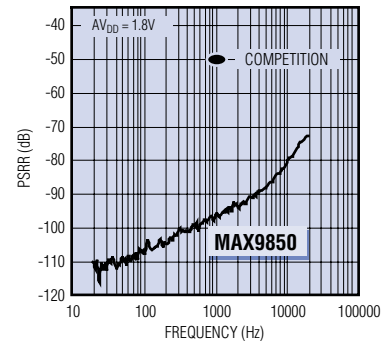
*Ideal for Cell Phones,
Smartphones, Portable DVD,
and MP3 Players*



MAX9850 Advantages

- ◆ DirectDrive Outputs Eliminate DC-Blocking Caps Without Biasing the Chassis
- ◆ Derives Common Audio Sample Rates from Existing System Clocks Up to 40MHz, Thus Eliminating External Crystals
- ◆ Integrated Digital Headphone Volume and Mute Control
- ◆ Stereo Line Inputs and Outputs (2V_{RMS})
- ◆ 1.8V to 3.6V Single-Supply Operation

POWER-SUPPLY REJECTION RATIO



www.maxim-ic.com

FREE Audio Design Guide—Sent Within 24 Hours!

CALL TOLL-FREE 1-800-998-8800 (6:00 a.m.—6:00 p.m. PT)

For a Design Guide or Free Sample



Distributed by Maxim/Dallas Direct!, Arrow, Avnet Electronics Marketing, Digi-Key, and Newark.

MAXIM is a registered trademark of Maxim Integrated Products, Inc. DALLAS is a registered trademark of Dallas Semiconductor Corp.

© 2004 Maxim Integrated Products, Inc. All rights reserved.