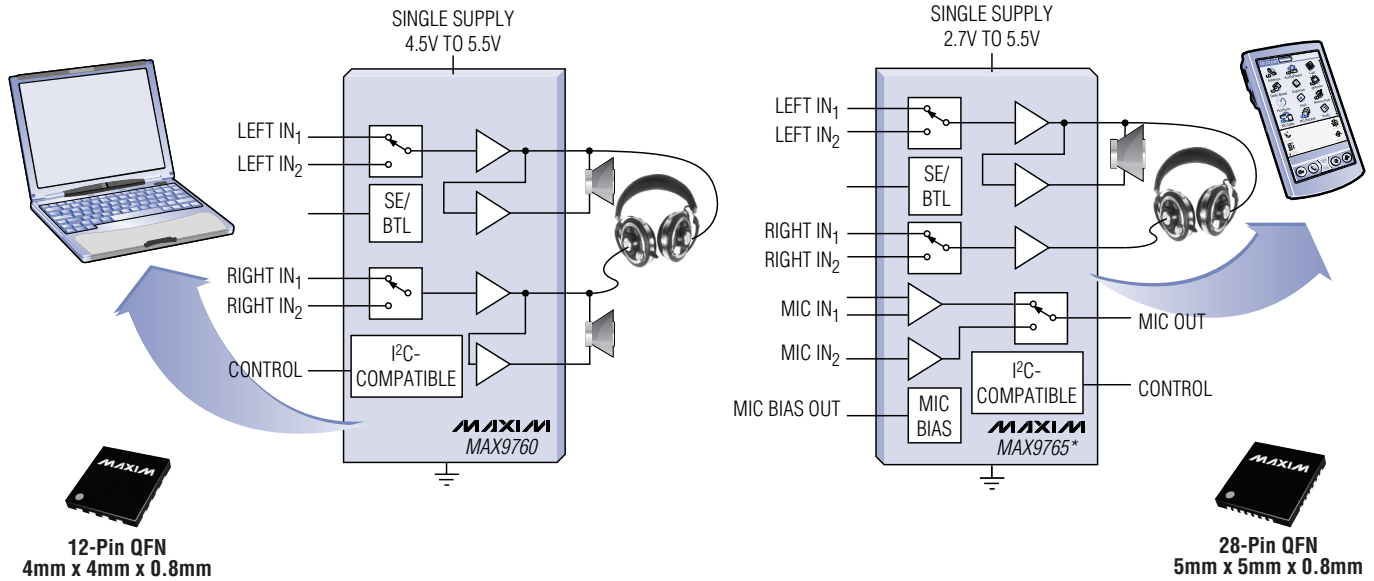


# HIGHEST PERFORMANCE INTEGRATED AUDIO AMPS FOR PORTABLE APPLICATIONS

Integrated Speaker Amp, Headphone Amp, Mic Preamp and Input Switching;  
Ideal for Notebooks, DVD Players, Camcorders, PDAs, and Other Compact Portable Devices



## Differentiate Your Next Design with Maxim's Industry-Leading Audio ICs

- ◆ No Detectable Clicks or Pops
  - ◆ 3W Stereo Audio Amp (MAX9760–63)
  - ◆ Complete Microphone Solution (MAX9765–67)
  - ◆ Ultra-High 100dB PSRR
  - ◆ ±8kV ESD Protection
- ➔
- ◆ Eliminates Additional Circuitry
  - ◆ 25% Higher than Closest Competition
  - ◆ Simplifies System Design
  - ◆ Eliminates Expensive LDOs
  - ◆ No Need for External ESD Protection

Part	P <sub>OUT</sub> (W)	Speaker	HP	MIC	Mux	Control	Pin-Package
MAX9760/9761	3	Stereo	✓		✓	I <sup>2</sup> C-Compatible/Parallel	28-QFN/TSSOP
MAX9762/9763	3	Mono	✓		✓	I <sup>2</sup> C-Compatible/Parallel	28-QFN/TSSOP
MAX9710*	3	Stereo					16-TSSOP/20-QFN
MAX9711*	3	Mono					12-QFN
MAX9765*/9767*	0.7	Stereo	✓	✓	✓	I <sup>2</sup> C-Compatible/Parallel	32-QFN
MAX9766*	0.7	Mono	✓	✓	✓	Parallel	32-QFN

\*Future product—contact factory for availability.



[www.maxim-ic.com](http://www.maxim-ic.com)

**FREE Audio Design Guide—Sent Within 24 Hours!**

CALL TOLL-FREE 1-800-998-8800 (6:00 a.m.—6:00 p.m. PT)

For a Design Guide or Free Sample



Distributed by Maxim/Dallas Direct!, Arrow, Avnet Electronics Marketing, Digi-Key, and Newark.  
MAXIM is a registered trademark of Maxim Integrated Products, Inc. © 2003 Maxim Integrated Products.