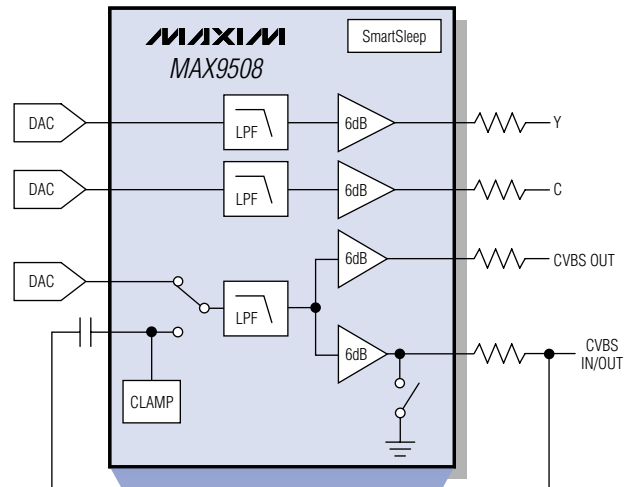


LOW-COST, 3mm x 3mm, STANDARD-DEFINITION VIDEO FILTERS FOR SET-TOP BOXES

MAX9508/MAX9512 Reduce Cost and Save Space Through High Integration

- ◆ Triple SDTV Video Filters with $\pm 1\text{dB}$, 6.75MHz Passband (11MHz, -3dB Bandwidth)
- ◆ AC-/DC-Coupled Outputs Drive Up to Two Video Loads
- ◆ SmartSleep Technology Reduces Power Consumption by Shutting Down Inactive Channels
- ◆ Loophrough Capability on Bidirectional CVBS (MAX9508)
- ◆ Integrated Y/C Mixer (MAX9512)
- ◆ 3mm x 3mm Package Is More than 2x Smaller than Nearest Competitor
- ◆ Priced at \$0.59[†]



2x SMALLER
THAN THE COMPETITION!



Part	No. of Inputs	No. of Outputs	Supply Voltage (V)	Filter Passband (MHz at $\pm 1\text{dB}$)	SmartSleep	Additional Features	Package Size (mm x mm)	Price [†] (\$)
MAX9508	3	4	+3.3	6.75	Yes	Bidirectional CVBS	3 x 3	0.59
MAX9512	2	4	+3.3	6.75	Yes	Y/C mixer	3 x 3	0.59

[†] 1000-up recommended resale. Prices provided are for design guidance and are FOB USA. International prices will differ due to local duties, taxes, and exchange rates. Not all packages are offered in 1k increments, and some may require minimum order quantities.

MAXIM

[www.maxim-ic.com/Video Filters](http://www.maxim-ic.com/Video%20Filters)

FREE Video Design Guide—Sent Within 24 Hours!

CALL TOLL FREE 1-800-998-8800 (7:00 a.m.–5:00 p.m. PT)

For a Design Guide or Free Sample

MAXIM/DALLAS DIRECT!
DISTRIBUTION
1-888-MAXIM-IC

ARROW
ARROW ELECTRONICS, INC.
1-800-777-2776

AVNET
electronics marketing
1-800-332-8638

Distributed by Maxim/Dallas Direct!, Arrow, Avnet Electronics Marketing, Digi-Key, and Newark.

The Maxim logo is a registered trademark of Maxim Integrated Products, Inc. The Dallas Semiconductor logo is a registered trademark of Dallas Semiconductor Corp.
© 2006 Maxim Integrated Products, Inc. All rights reserved.