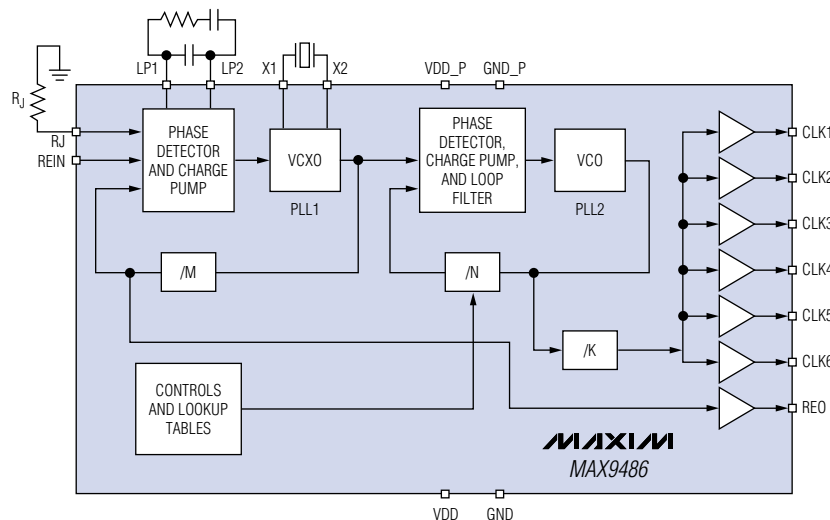


# LOW-JITTER CLOCK GENERATOR IS OPTIMIZED FOR xDSL CO LINE CARDS AND TELECOM SYSTEMS

The MAX9486 is a cost-effective, high-performance clock synthesizer with 8kHz reference-clock input. This device is the best timing solution for xDSL CO (central office) line cards, T1/E1, T3/E3, and telecom network systems.



- ◆ Six Buffered LVTTTL Outputs of 35.328MHz
- ◆ One 8kHz Reference CLK Replay Output
- ◆ Output Clocks Synchronize with the 8kHz Input Reference Clock
- ◆ 3.3V Supply Voltage
- ◆ 24-Pin TSSOP (4.5mm x 7.8mm)



Part	Integrated VCXO	No. of Outputs	Output Frequencies (Hz)	Operating Temp Range (°C)
MAX9486EUG	Yes	7	Six 35.328M One 8k	-40 to +85



[www.maxim-ic.com](http://www.maxim-ic.com)

**FREE High-Speed Interconnect Design Guide—Sent Within 24 Hours!**

**CALL TOLL-FREE 1-800-998-8800 (6:00 a.m.—6:00 p.m. PT)**

**For a Design Guide or Free Sample**

