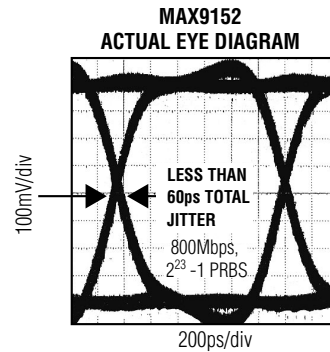
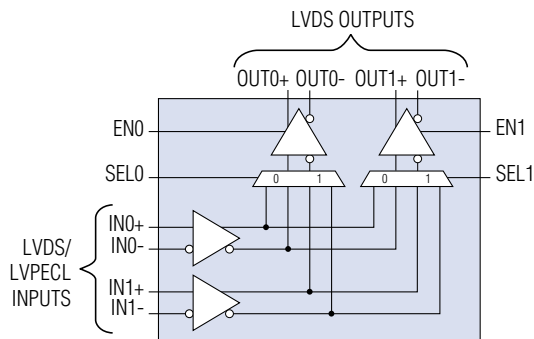


WORLD'S LOWEST JITTER LVDS 2 x 2 CROSSPOINT SWITCH

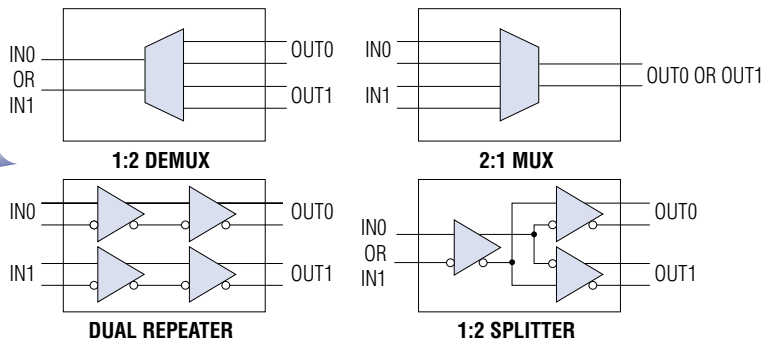
120ps_{pk-pk} (max) PRBS Jitter—
Flexible Configuration for Multiple LVDS Signal Distribution Applications



CONDITIONS: 3.3V, $|V_{ID}| = 200mV$, $V_{CM} = +1.2V$
 HORIZONTAL SCALE = 200ps/div
 VERTICAL SCALE = 100mV/div

MAX9152 APPLICATIONS INCLUDE:
 ✓ CELLULAR PHONE BASE STATIONS
 ✓ DIGITAL CROSSCONNECTS
 ✓ ADD/DROP MUXES
 ✓ NETWORK SWITCHES/ROUTERS
 ✓ DSLAMS

PROGRAMMABLE CONFIGURATION FOR YOUR APPLICATION



- ◆ Ultra-Low 120ps_{pk-pk} (max) PRBS Jitter
- ◆ Pin-Programmable Configuration
- ◆ Low 50ps (max) Channel-to-Channel Skew
- ◆ 109mW Power Dissipation
- ◆ LVDS Inputs Accept LVPECL Signals
- ◆ LVDS Output Rated for 75Ω and 100Ω Loads
- ◆ Programmable Output Resistance for Multidrop and Point-to-Point
- ◆ Pin-Compatible Upgrade to DS90CP22



FREE LVDS Design Guide—Sent Within 24 Hours!
Includes: Reply Cards for Free Samples and Data Sheets

CALL TOLL-FREE 1-800-998-8800 for a Design Guide or Free Sample
 6:00 a.m. – 6:00 p.m. Pacific Time

MAXIM
www.maxim-ic.com

2001 EDITION!
 FREE FULL-LINE DATA CATALOG
 ON CD-ROM



MAXIM/DALLAS SEMICONDUCTOR
DIRECT!
 DISTRIBUTION
 1-888-MAXIM-IC

ARROW
 ARROW ELECTRONICS, INC.
 1-800-777-2776

AVNET
 electronics marketing
 1-800-332-8638

Maxim Integrated Products, 120 San Gabriel Drive, Sunnyvale, CA 94086, (408) 737-7600, FAX (408) 737-7194.
 Distributed by Maxim/Dallas Direct!, Arrow, Avnet Electronics Marketing, Digi-Key, and Newark.
 Distributed in Canada by Arrow and Avnet Electronics Marketing.

MAXIM is a registered trademark of Maxim Integrated Products, Inc. © 2001 Maxim Integrated Products.