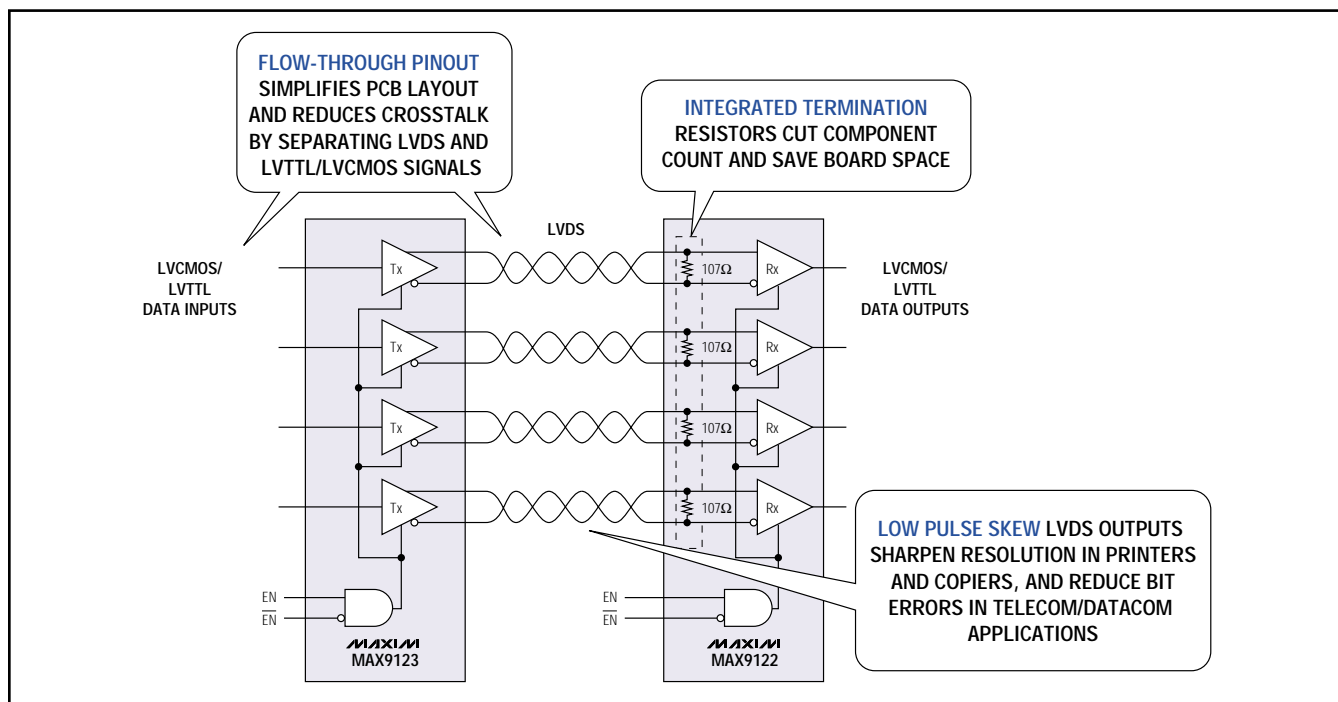


QUAD LVDS ICs WITH LOW SKEW, INTEGRATED TERMINATION, AND FLOW-THROUGH PINOUT

Improve Timing Accuracy, Eliminate Components, Simplify Layout, and Reduce Crosstalk



Select the Ideal Quad LVDS Tx or Rx for Your Application!

PART	NO. OF Tx/Rx	MAX PULSE SKEW (ps)	INTEGRATED TERMINATION	FLOW-THROUGH PINOUT	FOOTPRINT
MAX9121	0/4	300		✓	DS90LV048
MAX9122	0/4	300	✓	✓	DS90LV048
MAX9123	4/0	250		✓	DS90LV047
MAX9124	4/0	250			DS90LV031
MAX9125	0/4	300			DS90LV032
MAX9126	0/4	300	✓		DS90LV032

2001 EDITION!
FREE FULL-LINE DATA CATALOG
ON CD-ROM



CALL TOLL-FREE 1-800-998-8800 for a Design Guide or Free Sample
6:00 a.m. – 6:00 p.m. Pacific Time

MAXIM
www.maxim-ic.com



NEW! Get Price, Delivery, and Place Orders
Online at www.maxim-ic.com

Maxim Integrated Products, 120 San Gabriel Drive, Sunnyvale, CA 94086, (408) 737-7600, FAX (408) 737-7194.
Distributed by Maxim Distribution, Arrow, Avnet Electronics Marketing, CAM RPC, Digi-Key, Elmo, Nu Horizons, and Zeus.
Distributed in Canada by Arrow and Avnet Electronics Marketing.

MAXIM is a registered trademark of Maxim Integrated Products, Inc. © 2001 Maxim Integrated Products.