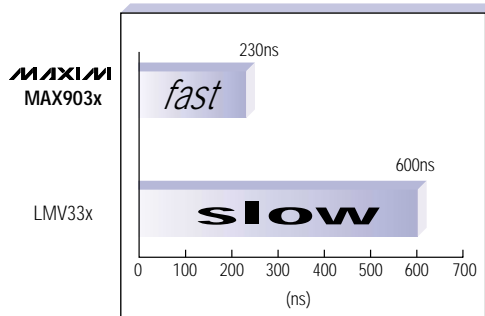


# IMPROVED COMPARATORS CONSUME 30x LESS CURRENT, HAVE 2.5x FASTER RESPONSE TIME

MAX9021 Reduces Power By 95%, While the MAX9031 Improves Speed By 60% vs. LMV331

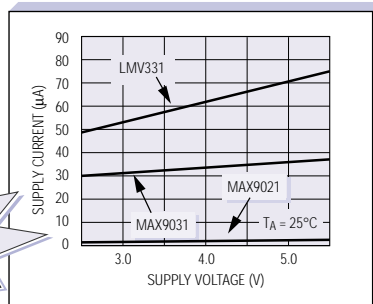
## 2.5x FASTER RESPONSE TIME



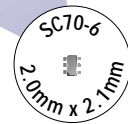
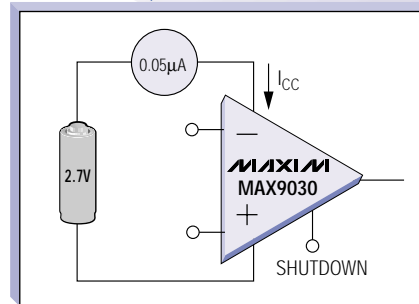
	MAXIM MAX9021	MAXIM MAX903x	LMV33x
Propagation Delay	8000ns	230ns	600ns
Supply Current	2.8 $\mu$ A	35 $\mu$ A	60 $\mu$ A
Shutdown Current	None	0.05 $\mu$ A	None
Hysteresis	4mV	4mV	None
Price*	\$0.29	\$0.26	\$0.26

VCC = +5V, VOD = 10mV

## CONSUME 30x LESS CURRENT



## 1 $\mu$ A SHUTDOWN



NEW, IMPROVED  
µPOWER  
COMPARATORS

Choose Maxim for All Your Space-Saving, High-Performance Comparator Needs

PART	NO. OF COMPARATORS	SUPPLY VOLTAGE RANGE (V)	SUPPLY CURRENT ( $\mu$ A)	PROPAGATION DELAY (ns)	RAIL-TO-RAIL OUTPUTS	SHUTDOWN OPTION
MAX9030	1	2.5 to 5.5	35	230	Yes	Yes
MAX9031/9032/9034	1/2/4	2.5 to 5.5	35	230	Yes	No
MAX9021/9022/9024	1/2/4	2.5 to 5.5	2.8	8 $\mu$ s	Yes	No
MAX9075/9077	1/2	2.1 to 5.5	3	580	Yes	No

\*1000-up recommended resale for MAX9031, FOB USA.



**FREE Op Amps/Comparators Design Guide—Sent Within 24 Hours!**  
Includes: Reply Cards for Free Samples and Data Sheets

CALL TOLL-FREE 1-800-998-8800 for a Design Guide or Free Sample  
6:00 a.m. – 6:00 p.m. Pacific Time

**MAXIM**  
www.maxim-ic.com

2000 EDITION!  
FREE FULL-LINE DATA CATALOG  
ON CD-ROM



**NEW!**

Get Price, Delivery, and Place Orders  
Online at [www.maxim-ic.com](http://www.maxim-ic.com)

Maxim Integrated Products, 120 San Gabriel Drive, Sunnyvale, CA 94086, (408) 737-7600, FAX (408) 737-7194.

Distributed by Maxim Distribution, Arrow, Avnet Electronics Marketing, CAM RPC, Digi-Key, Elmo, Nu Horizons, and Zeus.  
Distributed in Canada by Arrow and Avnet Electronics Marketing.

MAXIM is a registered trademark of Maxim Integrated Products, Inc. © 2001 Maxim Integrated Products.