

FIRST FULLY-PROTECTED, 24V LCD AND OLED SUPPLIES IN SOT23 PACKAGE

87% Efficient, Step-Up DC-DC Converters Have True Shutdown™

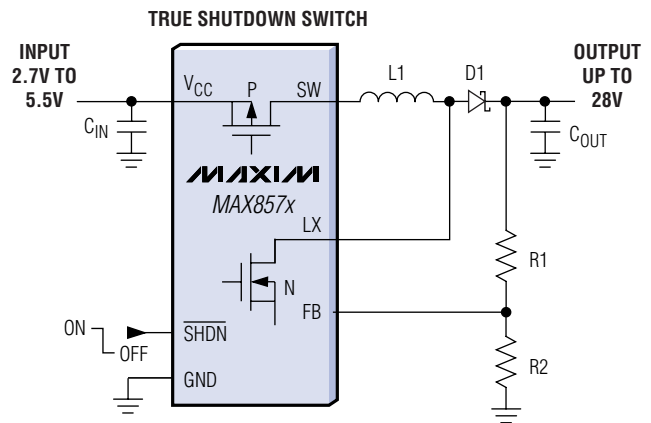
The MAX8570*–MAX8575 LCD and OLED (organic LED) power supplies have the most complete set of built-in protection features. They prevent damage without needing expensive, bulky, and complicated external protection circuitry. This saves valuable board space, cost, and design time.

Six Built-In *Protection* Features

Protection with
MAX8570
Family

Common Application Faults	Damage with Competing Step-Up Converters	
• R1 resistor missing or disconnected	✗ Capacitor or downstream components are damaged	✓ Converter stops switching
• C _{OUT} missing and FB floating	✗ Capacitor or downstream components are damaged	✓ Internal MOSFET clamps
• FB shorted to GND	✗ Capacitor or downstream components are damaged	✓ Converter stops switching
• D1 missing or disconnected • D1 reverse polarity	✗ Possible switch damage	✓ Converter stops switching
• FB node floating	✗ Components are damaged	✓ Converter stops switching
• Output shorted to ground	✗ Diode or inductor is damaged	✓ Protects the inductor and diode

- ◆ True Shutdown
- ◆ Internal 110mA, 250mA, or 500mA Switch
- ◆ 87% Efficiency
- ◆ 25µA Quiescent Supply Current
- ◆ Fixed 15V Output (Adjustable Up to 28V)
- ◆ Priced at \$1.25[†]



True Shutdown is a trademark of Maxim Integrated Products, Inc.

[†]1000-up recommended resale. Prices provided are for design guidance and are FOB USA. International prices will differ due to local duties, taxes, and exchange rates. Not all packages are offered in 1k increments, and some may require minimum order quantities.

*MAX8570, MAX8571, and MAX8574 are future products—contact factory for availability.

MAXIM

www.maxim-ic.com

FREE Power Supplies Design Guide—Sent Within 24 Hours!

CALL TOLL-FREE 1-800-998-8800 (6:00 a.m.–6:00 p.m. PT)

For a Design Guide or Free Sample

MAXIM/DALLAS
DIRECT!
DISTRIBUTION
1-888-MAXIM-IC

ARROW
ARROW ELECTRONICS, INC.
1-800-777-2776

AVNET
CILICON
1-800-332-8638

Distributed by Maxim/Dallas Direct!, Arrow, Avnet Electronics Marketing, Digi-Key, and Newark.

MAXIM is a registered trademark of Maxim Integrated Products, Inc. DALLAS is a registered trademark of Dallas Semiconductor Corp.

© 2004 Maxim Integrated Products, Inc. All rights reserved.