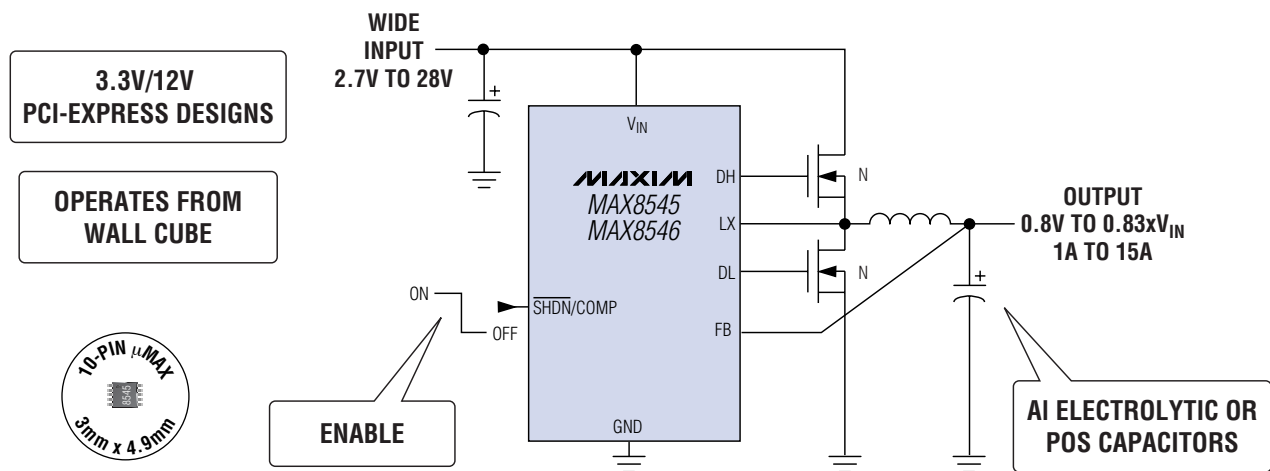


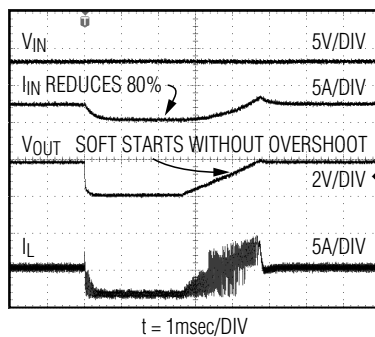
# SIMPLE, LOW-COST DC-DC CONTROLLERS FOR DESKTOPS, DESKNOTES, GRAPHIC CARDS AND SET-TOP BOXES

## 2.7V to 28V Input, Loss-Less $I_{SENSE}$ , and Fold-Back $I_{LIMIT}$

Use the MAX8545 and MAX8546 voltage-mode, 300kHz PWM step-down DC-DC controllers with powerful  $2.5\Omega$  (typical) gate drivers for 1A to 15A applications. Loss-less current sense and fold-back current protection provide reliable, low-cost implementation. Their wide-input voltage range eliminates the need for an additional bias supply. Priced at \$0.95.<sup>†</sup>



### FOLDBACK SHORT-CIRCUIT PROTECTION REDUCES POWER DISSIPATION BY 80%



### Related Products

Part	Features
MAX8525 + MAX8523	0.4% accurate, fast-transient response, 3/4/6/8 phase CPU core supply for VRD/VRM10 specification
MAX1937/9 + MAX1980	6V to 24V input, scalable 2/3/4 phase supply for AMD K7 and K8 desktop and notebook CPU core supplies
MAX1858 MAX1875 MAX1876	Dual-output, 4.5V to 24V Input, 600kHz step-down DC-DC controllers with POR and sequencing

<sup>†</sup>1000-up recommended resale. Prices provided are for design guidance and are FOB USA. International prices will differ due to local duties, taxes, and exchange rates.



[www.maxim-ic.com](http://www.maxim-ic.com)

**FREE Power Supplies Design Guide—Sent Within 24 Hours!**

CALL TOLL-FREE 1-800-998-8800 (6:00 a.m.–6:00 p.m. PT)

For a Design Guide or Free Sample



Distributed by Maxim/Dallas Direct!, Arrow, Avnet Electronics Marketing, Digi-Key, and Newark.

MAXIM is a registered trademark of Maxim Integrated Products, Inc. © 2003 Maxim Integrated Products.